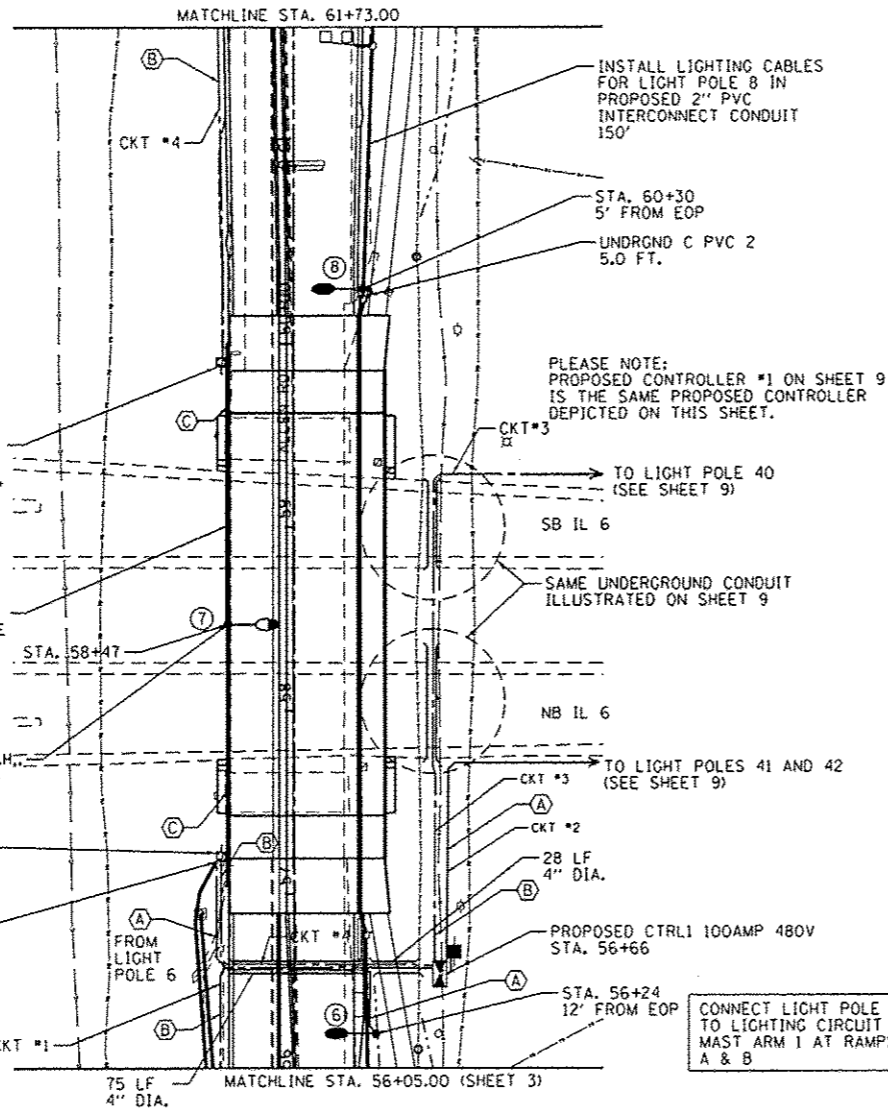




0 50 100
SCALE IN FEET

QUANTITIES IN THIS VIEW ARE INCLUDED IN THE BILL OF MATERIALS FOR ALLEN RD. & IL 6 NB RAMP A&B AND ALLEN RD. & IL 6 SB RAMP C&D

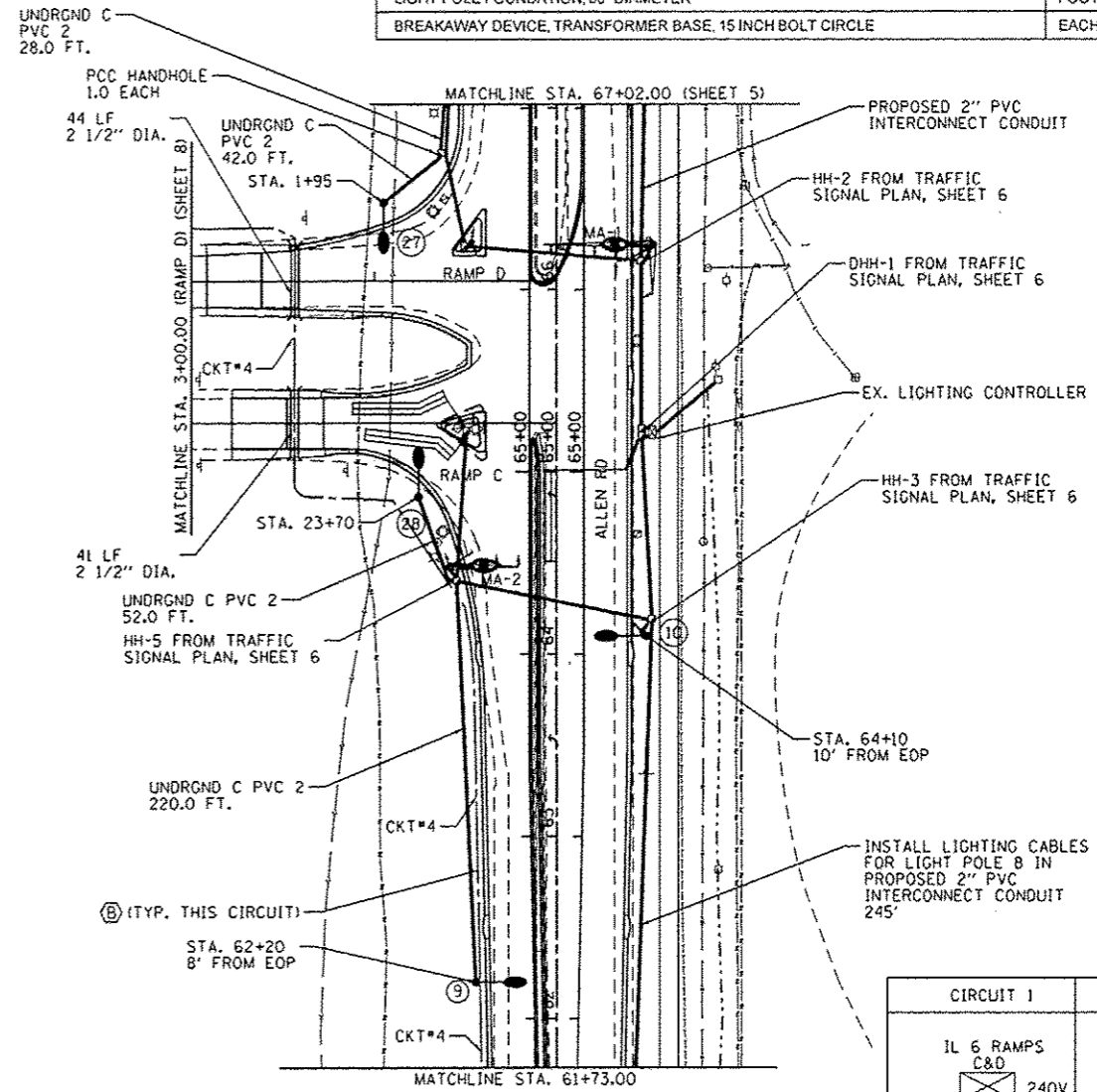


(SEE FIGURE 3.2.10-2 OF BDE MANUAL FOR LIGHT POLE MOUNTED ON CONCRETE PARAPET DETAILS)

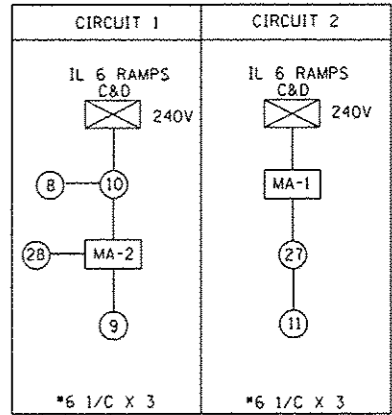
CONNECT LIGHT POLE 6 TO LIGHTING CIRCUIT IN MAST ARM I AT RAMPS A & B



0 50 100
SCALE IN FEET



BILL OF MATERIALS - ALLEN RD. & IL 6 SB RAMP C&D		
ITEM DESCRIPTION	UNIT	TOTAL QTY.
UNDERGROUND CONDUIT, PVC, 2" DIA.	FOOT	470.0
UNDERGROUND CONDUIT, PVC, 2 1/2" DIA.	FOOT	85.0
CONDUIT EMBEDDED IN STRUCTURE, 2" DIA., PVC	FOOT	265.3
JUNCTION BOX, STAINLESS STEEL, ATTACHED TO STRUCTURE, 12" X 10" X 6"	EACH	2.0
HANDHOLE, PORTLAND CEMENT CONCRETE	EACH	1.0
UNIT DUCT, 600V, 2-1C NO.4, 1/2 NO.6 GROUND, (XLP-TYPE USE), 1" DIA. POLYETHYLENE	FOOT	937.3
ELECTRIC CABLE IN CONDUIT, 600V (XLP-TYPE USE) 1/C NO. 6	FOOT	4902.9
ELECTRIC CABLE IN CONDUIT, 600V (XLP-TYPE USE) 1/C NO. 4	FOOT	546.6
LUMINAIRE, SODIUM VAPOR, HORIZONTAL MOUNT, 250 WATT	EACH	3.0
LUMINAIRE, SODIUM VAPOR, HORIZONTAL MOUNT, 400 WATT	EACH	8
LIGHT POLE, GALVANIZED STEEL, 50 FT. M.H., 15 FT. MAST ARM	EACH	6.0
LIGHT POLE FOUNDATION, 30" DIAMETER	FOOT	42.0
BREAKAWAY DEVICE, TRANSFORMER BASE, 15 INCH BOLT CIRCLE	EACH	6.0



MAURER-STUTZ ENGINEERS SURVEYORS

FILE NAME: S:\23712013\23712009\001\AllenRd\Lighting\04.dgn	USER NAME: basawson	DESIGNED: -	REVISED: -
PLOT SCALE: 1/80,000" = 1'	PLOT DATE: 1/24/2014 12:12:12 PM	CHECKED: -	REVISED: -
DATE: -	DATE: -	DATE: -	DATE: -

STATE OF ILLINOIS
DEPARTMENT OF TRANSPORTATION

ALLEN ROAD IMPROVEMENTS
LIGHTING - ALLEN ROAD

SCALE: SHEET 4 OF 19 SHEETS STA. TO STA.

F.A.U. RTE. 6584	SECTION 105: (72-THB)BY	COUNTY PEORIA	TOTAL SHEETS 487	SHEET NO. 272
6585			CONTRACT NO. 68683	
ILLINOIS FED. AID PROJECT				