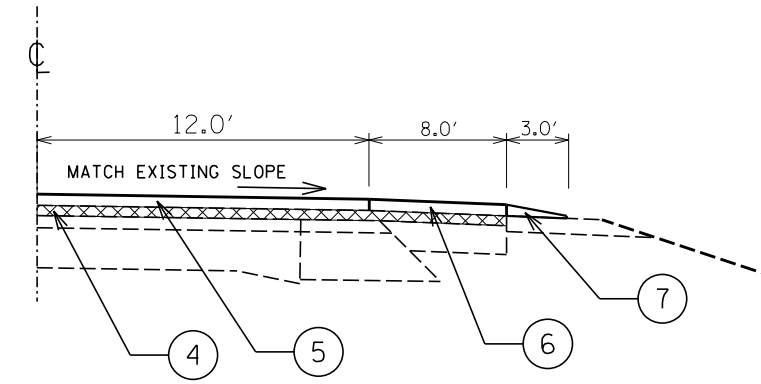
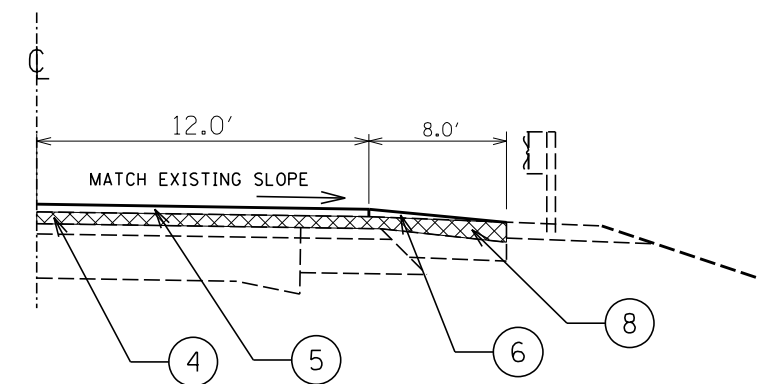


LT STA 461+85.08 to 479+27.86
(SEE DETAIL A ON SHEET 9)



RT STA 458+84.42 to 459+08.42
RT STA 473+47.51 to 476+85.08
RT STA 481+11.59 to 483+57.65
RT STA 487+95.81 to 490+92.56



RT STA 459+08.42 to 473+47.51
(SEE DETAIL B ON SHEET 10)

- ① EXIST. PCC PAVEMENT W/OVERLAY
- ② EXIST. HMA SHOULDERS
- ③ EXIST. AGGREGATE SHOULDERS
- ④ PROP. HMA SURFACE REMOVAL 3/4"
- ⑤ PROP. POLY. HMA SURFACE CSE. MIX "D" N50 2"
- ⑥ PROP. HMA SURFACE CSE. MIX "C" N50 2"
- ⑦ PROP. AGGREGATE WEDGE SHOULDERS, TYPE B
- ⑧ PROP. HMA SURFACE REMOVAL (VARIABLE DEPTH)

FILE NAME =	USER NAME = mendezpj	DESIGNED -	REVISED -
S:\GEN\DRAWING\STD&PLNS\SQUAD11\68980\468980 Plans.dgn		DRAWN -	REVISED -
Default	PLOT SCALE = 40.0000' / in.	CHECKED -	REVISED -
	PLOT DATE = 1/30/2014	DATE -	REVISED -

**STATE OF ILLINOIS
DEPARTMENT OF TRANSPORTATION**

TYPICAL SECTIONS

SCALE: SHEET 2 OF 6 SHEETS STA. TO STA.

F.A.P. RTE.	SECTION	COUNTY	TOTAL SHEETS	SHEET NO.
310	(104,105)RS-4	MERCER	32	8
CONTRACT NO. 68980				
ILLINOIS FED. AID PROJECT				