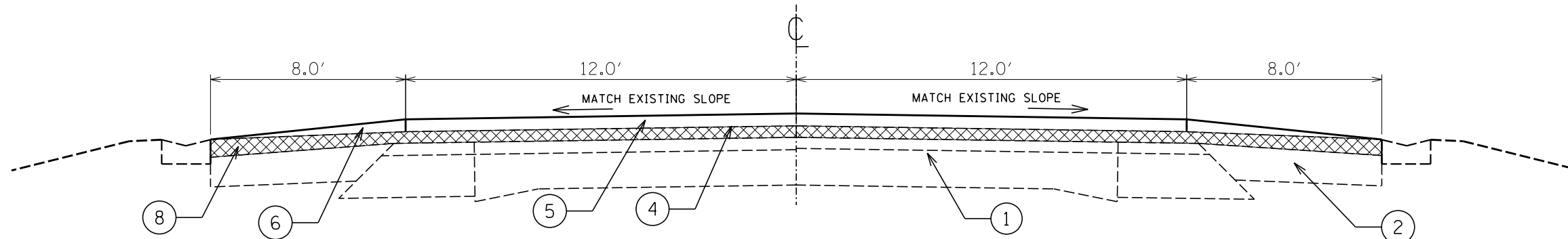


LT & RT STA 531+73.93 to 532+06.73
 LT & RT STA 541+98.10 to 542+35.10
 RT STA 613+94.33 to 614+36.98
 LT STA 615+18.68 to 615+61.33

RT STA 618+06.78 to 619+20.81
 LT STA 619+31.77 to 619+71.50
 RT STA 659+75.76 to 660+24.98



RT STA 641+68.02 to 642+04.11
 LT & RT STA 642+04.11 to 646+79.83
 LT STA 654+50.53 to 655+16.44
 LT & RT STA 655+16.44 to 659+75.76

(SEE DETAIL A ON SHEET 9)

- ① EXIST. PCC PAVEMENT W/OVERLAY
- ② EXIST. HMA SHOULDERS
- ③ EXIST. AGGREGATE SHOULDERS
- ④ PROP. HMA SURFACE REMOVAL 3/4"
- ⑤ PROP. POLY. HMA SURFACE CSE. MIX "D" N50 2"
- ⑥ PROP. HMA SURFACE CSE. MIX "C" N50 2"
- ⑦ PROP. AGGREGATE WEDGE SHOULDERS, TYPE B
- ⑧ PROP. HMA SURFACE REMOVAL (VARIABLE DEPTH)

FILE NAME =	USER NAME = mendezpj	DESIGNED -	REVISED -
S:\GEN\DRAW\STD&PLNS\SQUAD11\68980\468980 Plans.dgn		DRAWN -	REVISED -
Default	PLOT SCALE = 40.0000' / in.	CHECKED -	REVISED -
	PLOT DATE = 1/30/2014	DATE -	REVISED -

STATE OF ILLINOIS
 DEPARTMENT OF TRANSPORTATION

TYPICAL SECTIONS

SCALE: SHEET 5 OF 6 SHEETS STA. TO STA.

F.A.P. RTE.	SECTION	COUNTY	TOTAL SHEETS	SHEET NO.
310	(104,105)RS-4	MERCER	32	11
CONTRACT NO. 68980				
ILLINOIS FED. AID PROJECT				