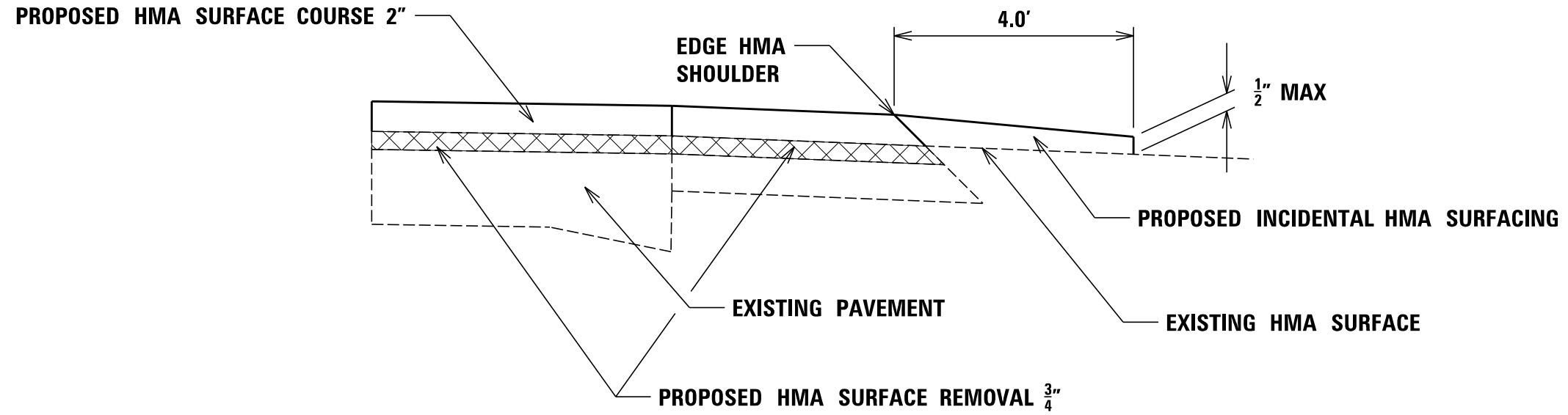
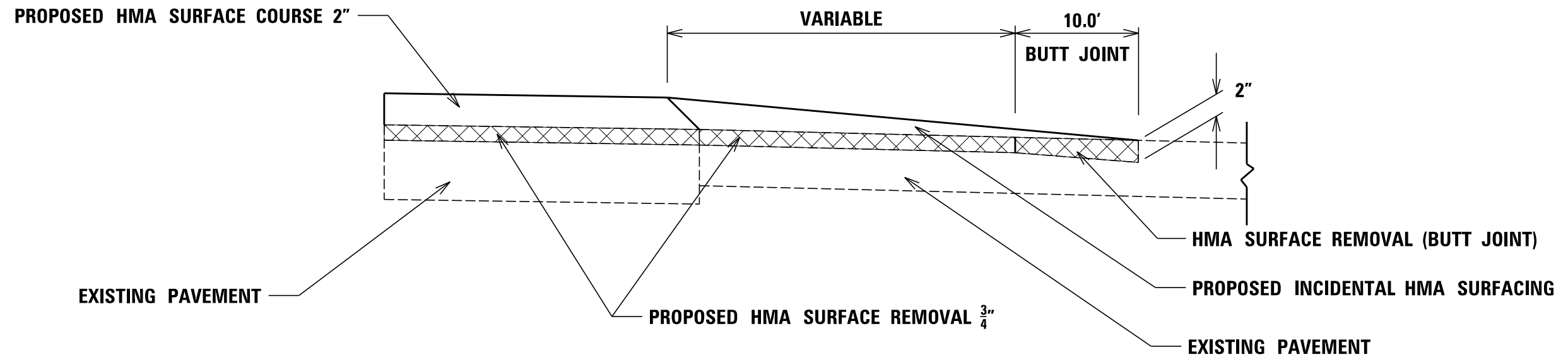


### ENTRANCES AND MAILBOX TURNOUTS DETAIL



### SIDEROAD DETAIL



|  |                             |            |           |   |   |                           |               |        |                 |              |  |
|--|-----------------------------|------------|-----------|---|---|---------------------------|---------------|--------|-----------------|--------------|--|
| FILE NAME =  | USER NAME = mendezpj        | DESIGNED - | REVISED - | <b>STATE OF ILLINOIS<br/>DEPARTMENT OF TRANSPORTATION</b> | <b>SIDE ROAD, ENTRANCES &amp;<br/>MAILBOX TURNOUT DETAILS</b> | F.A.P.<br>RTE.            | SECTION       | COUNTY | TOTAL<br>SHEETS | SHEET<br>NO. |  |
| S:\GEN\DRAWING\STD&PLNS\SQUAD11\68980\468980 Plans.dgn | PLOT SCALE = 40.0000' / in. | DRAWN -    | REVISED - |   |   | 310                       | (104,105)RS-4 | MERCER | 32              | 19           |  |
| Default  | PLOT DATE = 1/29/2014       | CHECKED -  | REVISED - |   |   | CONTRACT NO. 68980        |               |        |                 |              |  |
|  |                             | DATE -     | REVISED - |   |   | ILLINOIS FED. AID PROJECT |               |        |                 |              |  |