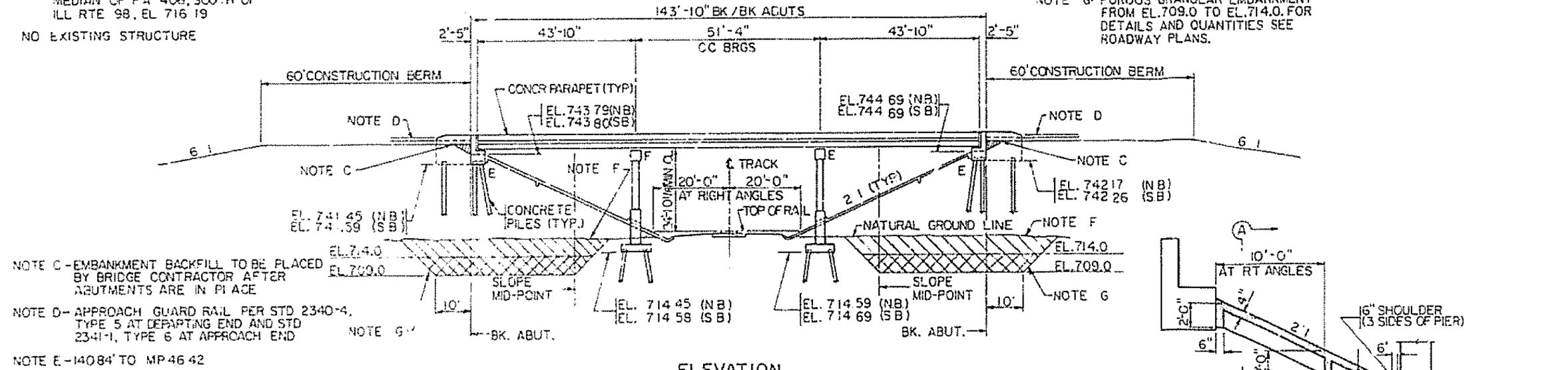


# LOC.3&4 S.N. 090-0125 & 0126

TBM-T02 CHISELED "d" ON THE  
 MEDIAN OF FA 406, SOUTH OF  
 ILL RTE 98, EL 716.19  
 NO EXISTING STRUCTURE

NOTE F: REMOVE AND REPLACE UNSUITABLE  
 MATERIALS TO EL.709.0.

NOTE G: POROUS GRANULAR EMBANKMENT  
 FROM EL.709.0 TO EL.714.0. FOR  
 DETAILS AND QUANTITIES SEE  
 ROADWAY PLANS.

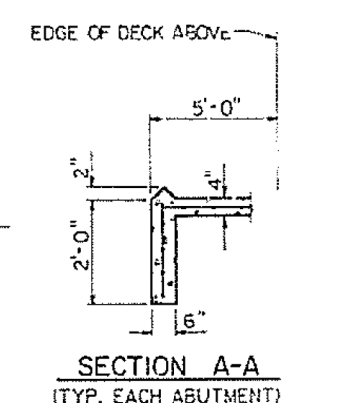
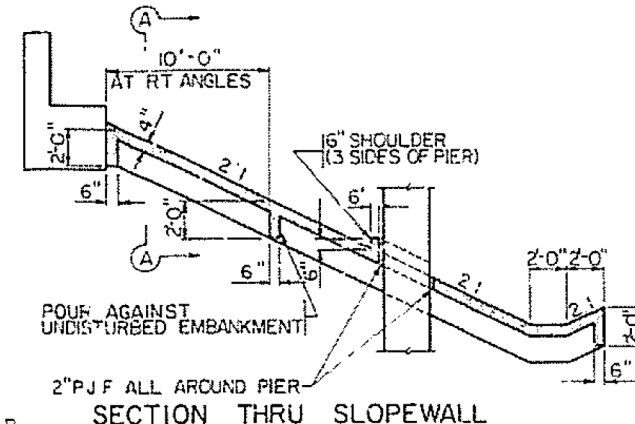
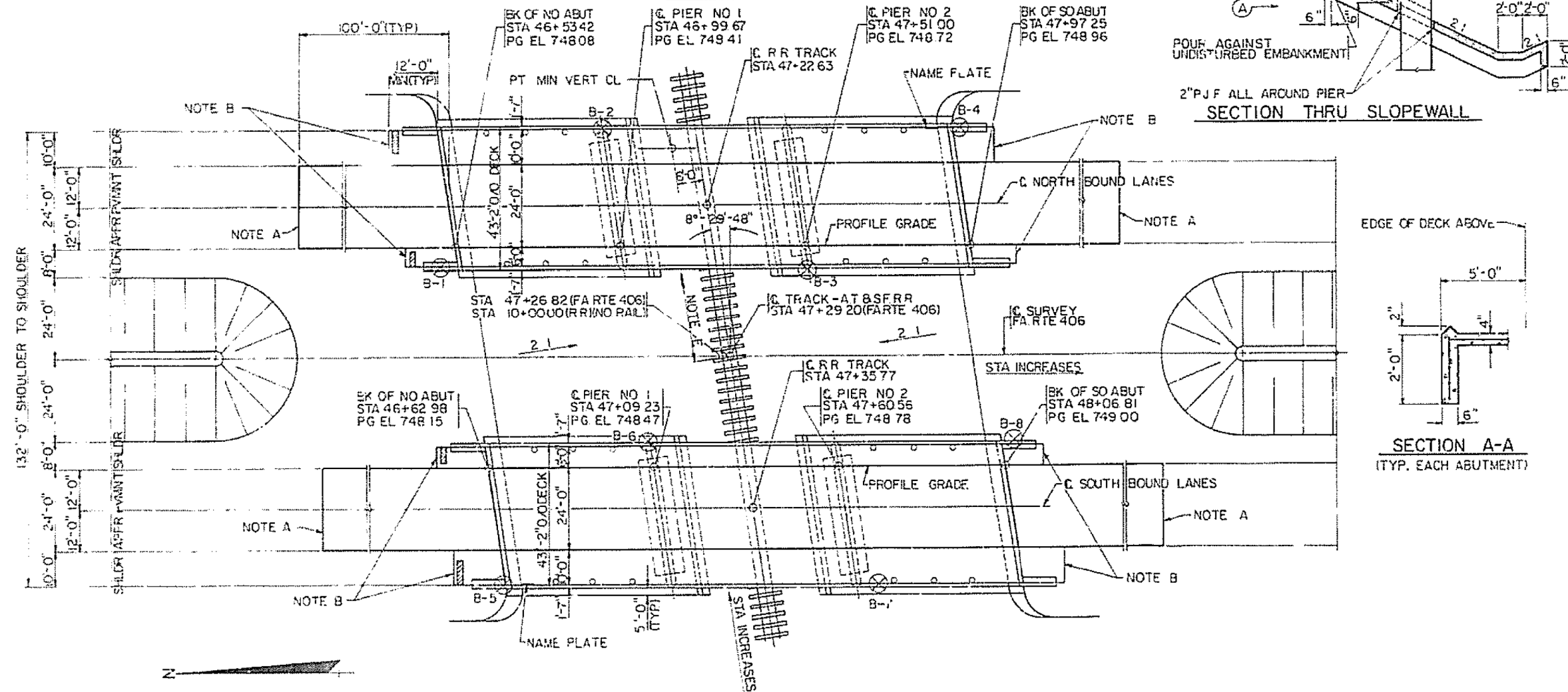


NOTE C- EMBANKMENT BACKFILL TO BE PLACED  
 BY BRIDGE CONTRACTOR AFTER  
 ABUTMENTS ARE IN PLACE

NOTE D- APPROACH GUARD RAIL PER STD 2340-4,  
 TYPE 5 AT DEPARTING END AND STD  
 2341-1, TYPE 6 AT APPROACH END

NOTE E- I4084' TO MP 46.42

### ELEVATION



FILE NAME =	USER NAME = aubreys	DESIGNED -	REVISED -	<b>STATE OF ILLINOIS DEPARTMENT OF TRANSPORTATION</b>	<b>LOCATION 3&amp;4 ELEVATION VIEW INFORMATION ONLY</b>			F.A. RTE.	SECTION	COUNTY	TOTAL SHEETS	SHEET NO.					
Default	ci:\users\aubreys\desktop\68b49\68b49	DRAWN -	REVISED -		SCALE:	SHEET	OF	SHEETS	STA.	TO	STA.	VAR	D4 Bridge Metalizing 2014	Illinois	Various	23	10
	PLOT SCALE = 100.0000' / in.	CHECKED -	REVISED -										CONTRACT NO. 68B49				
	PLOT DATE = 2/14/2014	DATE -	REVISED -										ILLINOIS FED. AID PROJECT				