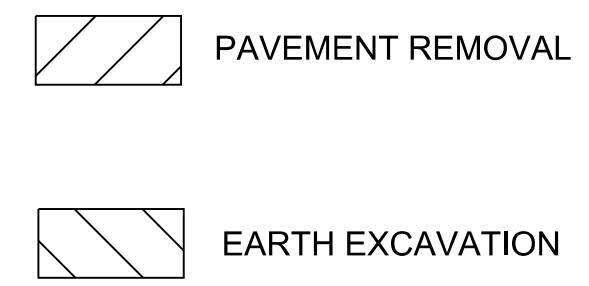
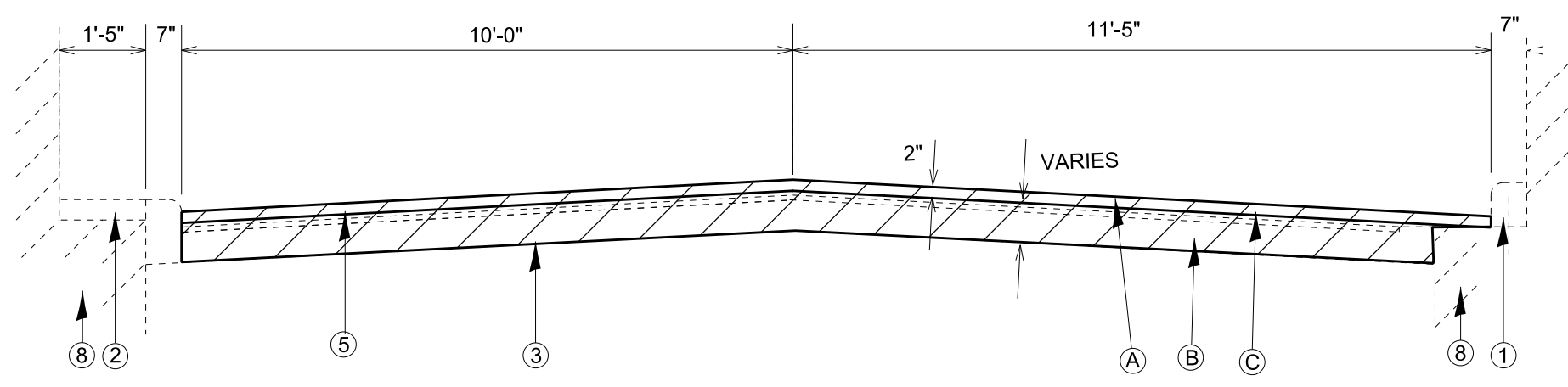


- EXISTING TYPICAL SECTION**
- ① CONC. CURB & GUTTER
 - ② PCC SIDEWALK 4"
 - ③ PCC PAVEMENT WITH MONOLITHIC CURB
 - ④ GRANULAR EMBANKMENT
 - ⑤ EXISTING HMA OVERLAYS (APPROX. 3.5")
 - ⑥ VIADUCT FOOTING

1557+20 to 1558+51

PROPOSED TYPICAL SECTION

- Ⓐ HMA SURFACE COURSE, MIX "D", N50, (2.0")
- Ⓑ HMA BINDER COURSE, IL-12.5, N50, (7.5")
- Ⓒ PAVEMENT REMOVAL (VARIES)
- Ⓓ EARTH EXCAVATION (6.0")



1552+81 TO 1557+20

FILE NAME = mikejviaduct.dgn	USER NAME = keathbr	DESIGNED -	REVISED -	STATE OF ILLINOIS DEPARTMENT OF TRANSPORTATION	TYPICAL SECTIONS				F.A.P. RTE.	SECTION	COUNTY	TOTAL SHEETS	SHEET NO.		
	Default	PLOT SCALE = 48.0000' / in.	CHECKED -		REVISED -	SCALE:	SHEET	OF	SHEETS	STA.	TO	STA.	318	6-1	PEORIA
	PLOT DATE = 3/24/2014	DATE -	REVISED -									CONTRACT NO. 68B72		ILLINOIS FED. AID PROJECT	