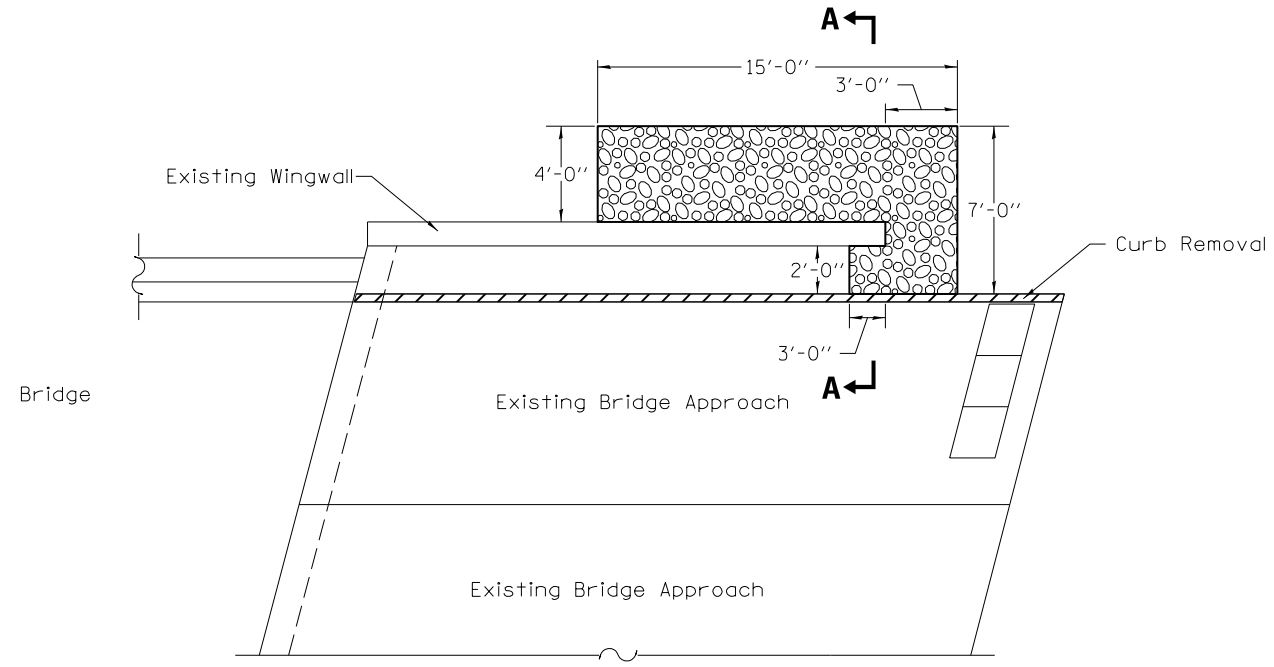
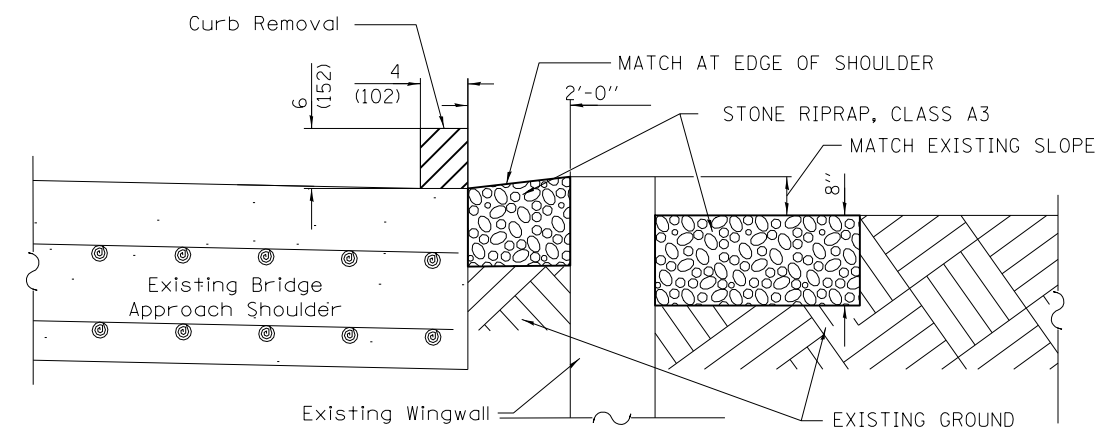


WINGWALL RIPRAP DETAILS



TYPICAL DETAIL PLAN
(With Wingwall)



SECTION A-A
(With Wingwall)

Note: All dimensions are in INCHES (millimeters) unless otherwise shown.

FILE NAME =	USER NAME = jaymedf	DESIGNED -	REVISED -	STATE OF ILLINOIS DEPARTMENT OF TRANSPORTATION	WINGWALL RIPRAP DETAILS			F.A.P. RTE.	SECTION	COUNTY	TOTAL SHEETS	SHEET NO.	
ct:\pw\work\p\dot\jaymedf\d0291813\05700006-sh1-details.dgn		DRAWN -	REVISED -		SCALE:	SHEET 001	OF 001 SHEETS	STA.	TO STA.	322	54B-3, 54B-2	DEWITT	89 43
MODELNAME	PLOT SCALE = 40.0000' / in.	CHECKED -	REVISED -		CONTRACT NO. 70606								
	PLOT DATE = 1/31/2014	DATE -	REVISED -		ILLINOIS FED. AID PROJECT								