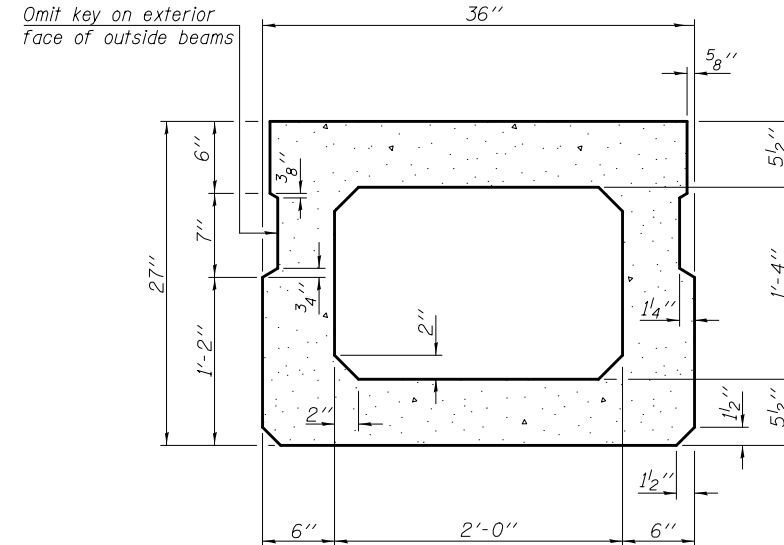
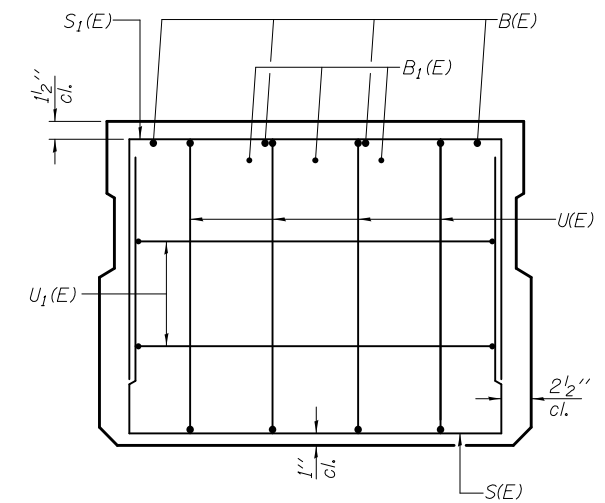


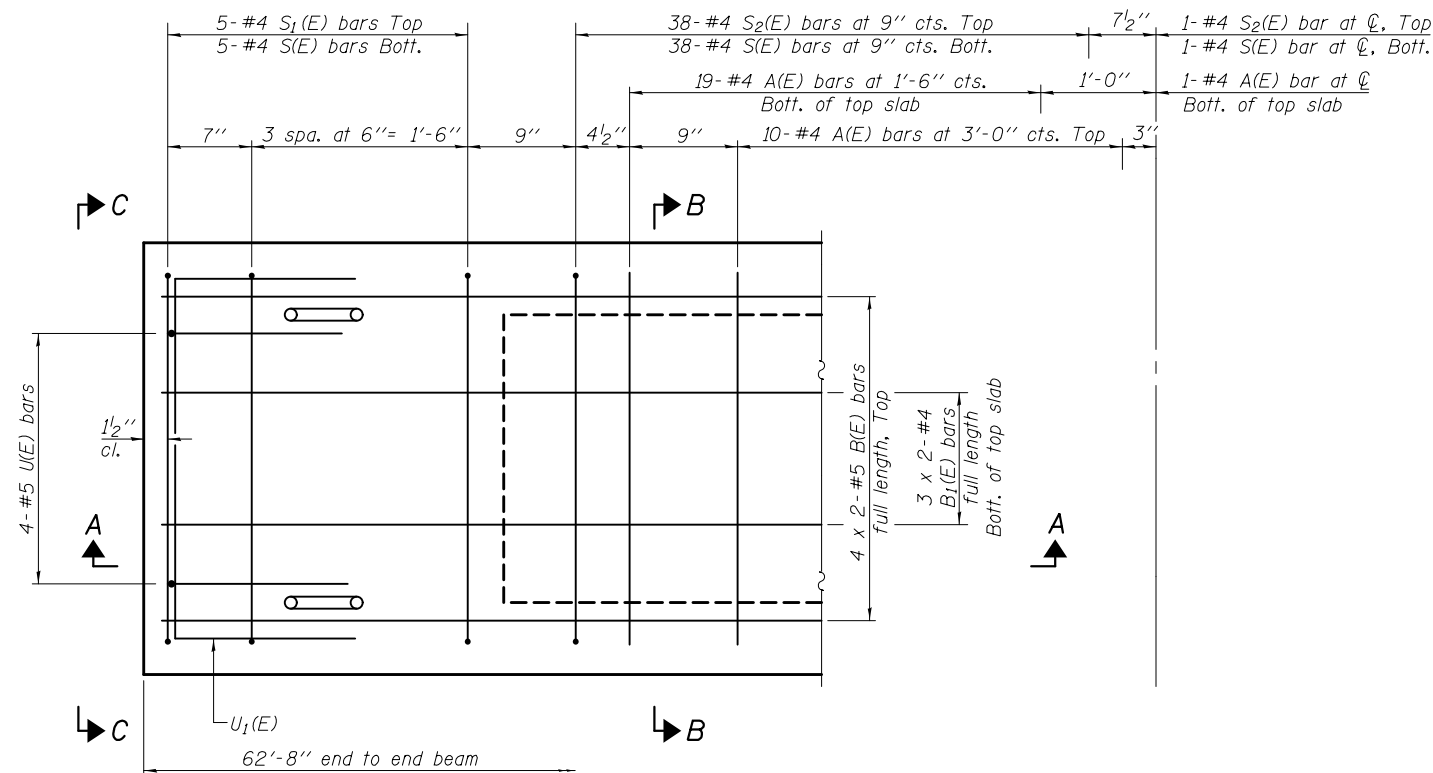
**SECTION A-A**



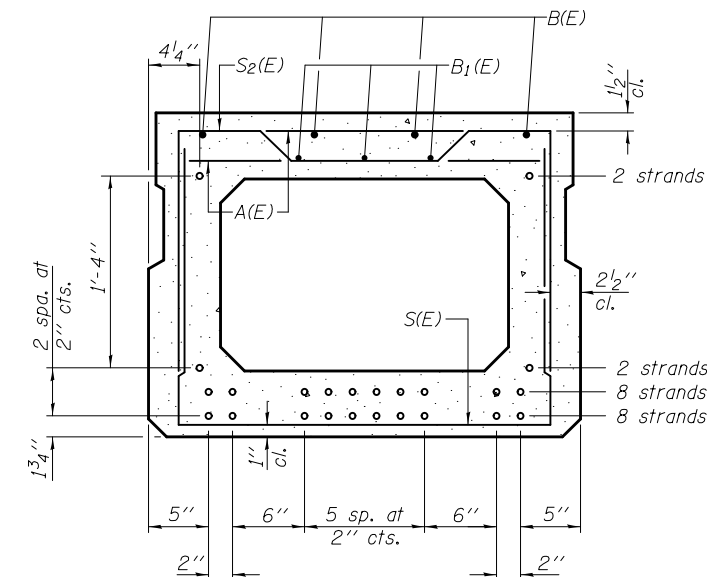
**SECTION B-B**  
(Showing dimensions)



**VIEW C-C**



**PLAN VIEW**



**SECTION B-B**

(Showing reinforcement and permissible strand locations)

Note: Place the number of strands specified in each row symmetrically about the centerline of beam in the permissible strand locations shown.

**BAR LIST**  
**ONE BEAM ONLY**

(For information only)

Bar	No.	Size	Length	Shape
A(E)	59	#4	2'-7"	—
B(E)	8	#5	32'-6"	—
B1(E)	6	#4	32'-3"	—
S(E)	87	#4	6'-5"	U
S1(E)	10	#4	5'-11"	U
S2(E)	77	#4	6'-2"	U
U(E)	8	#5	4'-6"	C
U1(E)	4	#4	5'-0"	U

Note: See sheet 8 of 10 for additional details and Bill of Material.

**MINIMUM BAR LAP**

#4 bar = 2'-0"  
#5 bar = 2'-6"

Note: Spacing of S(E) and S2(E) bars may be adjusted up to 4" in the immediate area of the transverse tie diaphragms to miss the block outs for the transverse ties.

PD-2736-0 7-1-10

DESIGNED - Josue Ortiz-Varela  
CHECKED - Maseret Sima  
DRAWN - h.t. duong  
CHECKED - JQV/MS/GRA

EXAMINED - *Jayne F. [Signature]*  
PASSED - *Carl [Signature]*  
ACTING ENGINEER OF BRIDGE DESIGN  
ACTING ENGINEER OF BRIDGES AND STRUCTURES

DATE - MARCH 24, 2014  
REVISED -  
REVISED -

**STATE OF ILLINOIS**  
**DEPARTMENT OF TRANSPORTATION**

**27" x 36" PPC DECK BEAM**  
**STRUCTURE NO. 020-0046**

SHEET NO. 7 OF 10 SHEETS

F.A.P. RTE.	SECTION	COUNTY	TOTAL SHEETS	SHEET NO.
322	54B-3, 54B-2	DEWITT	89	51
CONTRACT NO. 70606			ILLINOIS FED. AID PROJECT	