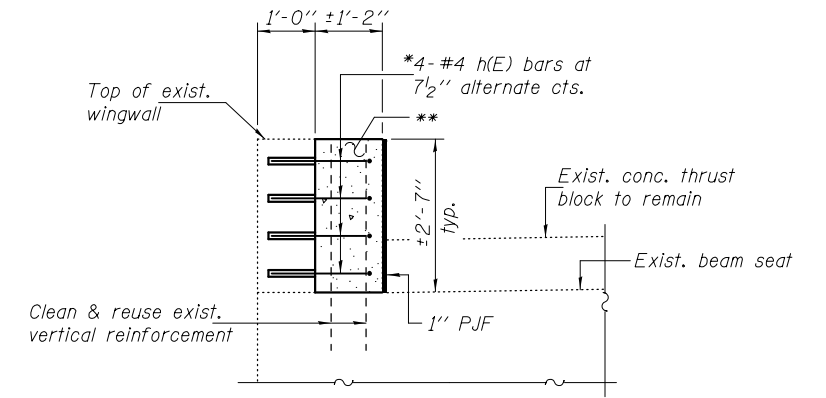
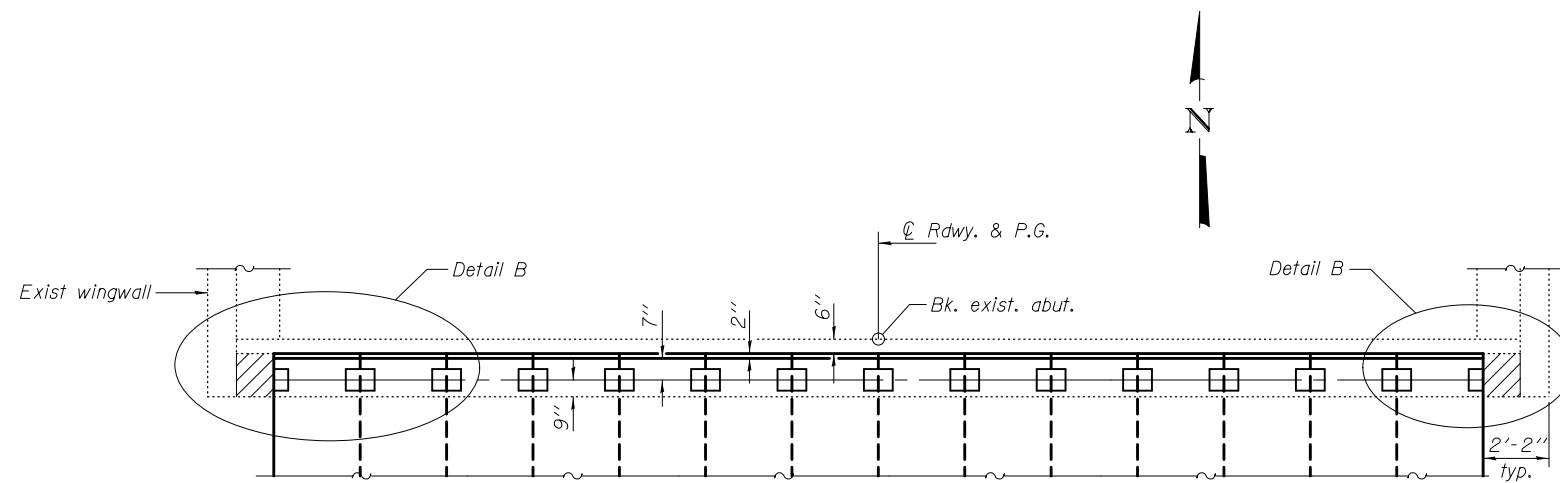


ELEVATION
 (Showing concrete removal)
 (North Abut. - Looking North; South Abut. similar)

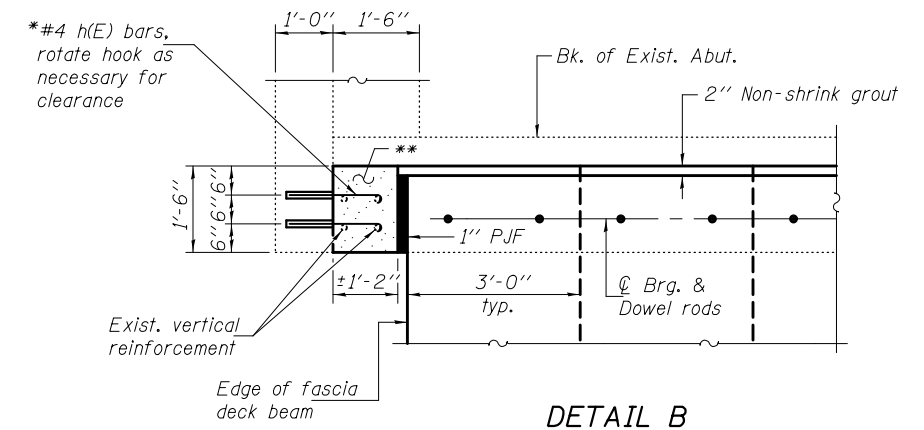


DETAIL A

*Epoxy grout h(E) bars in 9" min. drilled holes according to Section 584 of the Standard Specifications.
 **Concrete to be placed after PPC deck beams have been erected and doweled into place.

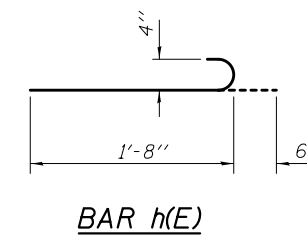


PLAN
 (Showing concrete removal & new beam placement)



DETAIL B

Notes: Existing vertical reinforcement bars extending into the new construction shall be cleaned, straightened and incorporated into the new construction. Cost included with Removal of Existing Superstructures.
 Hatched area indicates concrete removal.



BAR h(E)

**TWO ABUTMENTS
 BILL OF MATERIAL**

Bar	No.	Size	Length	Shape
h(E)	16	#4	2'-2"	
Reinforcement Bars, Epoxy Coated			Pound	20
Concrete Removal			Cu. Yd.	0.7
Concrete Structures			Cu. Yd.	0.7

DESIGNED - Josue Ortiz-Varela	EXAMINED -	DATE - MARCH 24, 2014
CHECKED - Meseret Sima	PASSED -	REVISED -
DRAWN - h.t. duong	ACTING ENGINEER OF BRIDGES AND STRUCTURES	REVISED -
CHECKED - JQV/MS/GRA		

**STATE OF ILLINOIS
 DEPARTMENT OF TRANSPORTATION**

**CONCRETE REMOVAL
 STRUCTURE NO. 020-0046**

SHEET NO. 9 OF 10 SHEETS

F.A.P. RTE.	SECTION	COUNTY	TOTAL SHEETS	SHEET NO.
322	54B-3, 54B-2	DEWITT	89	53
CONTRACT NO. 70606			ILLINOIS FED. AID PROJECT	