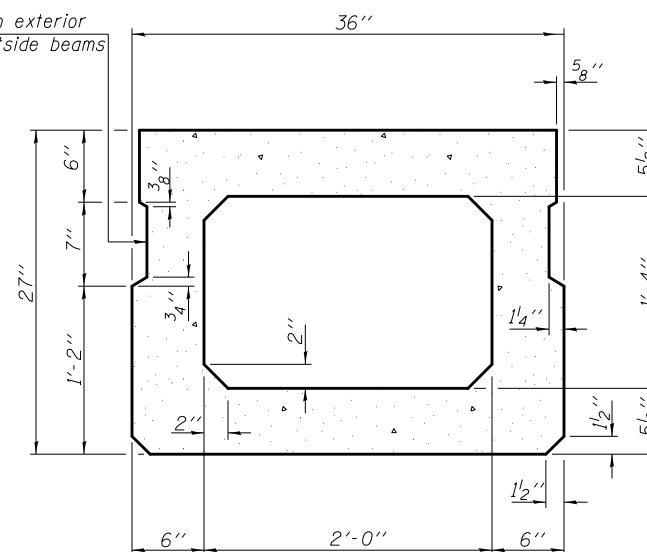
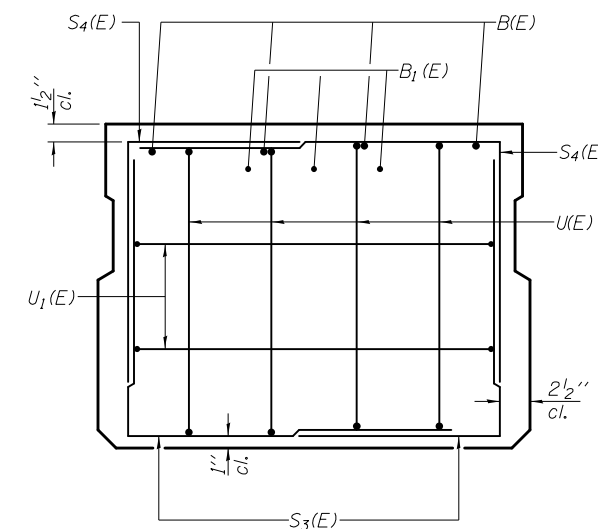


SECTION A-A

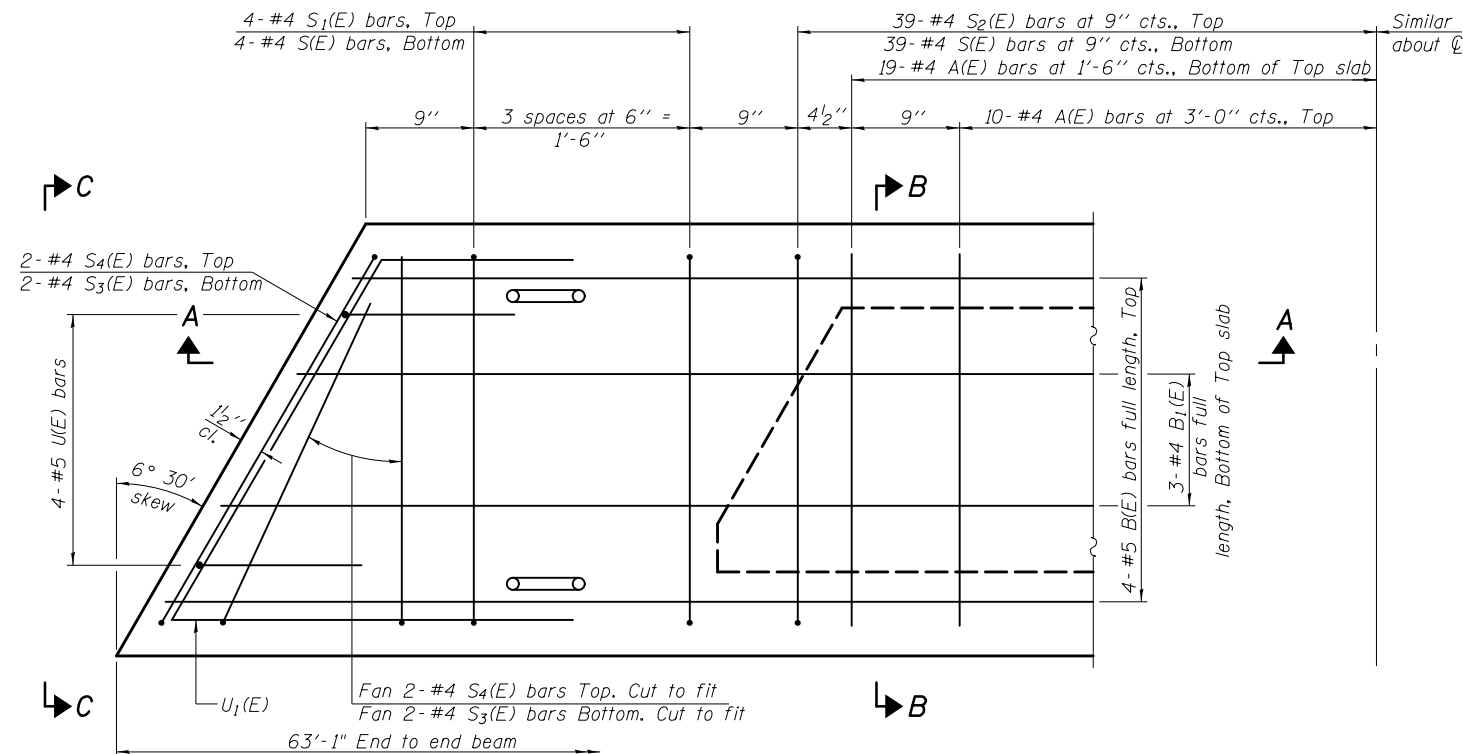
Omit key on exterior face of outside beams



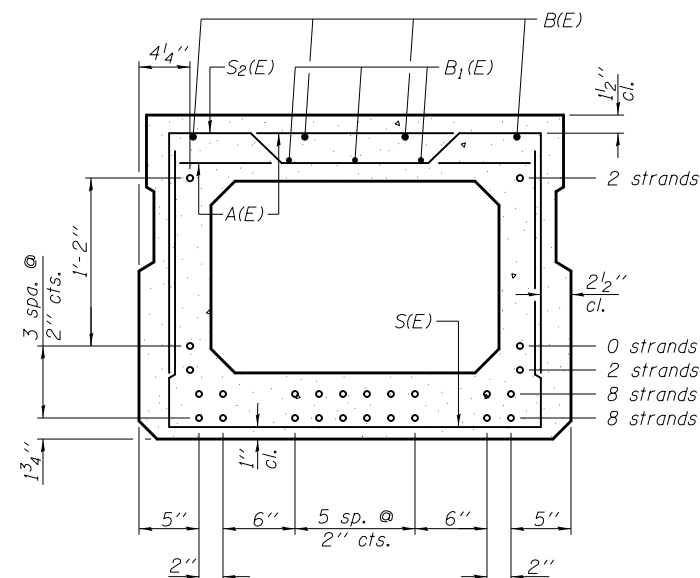
SECTION B-B
(Showing dimensions)



VIEW C-C



PLAN VIEW



SECTION B-B

(Showing reinforcement and permissible strand locations)

Note: Place the number of strands specified in each row symmetrically about the centerline of beam in the permissible strand locations shown.

BAR LIST
ONE BEAM ONLY

(For information only)

Bar	No.	Size	Length	Shape
A(E)	57	#4	2'-7"	—
B(E)	8	#5	32'-8"	—
B1(E)	6	#4	32'-5"	—
S(E)	85	#4	6'-5"	┌
S1(E)	8	#4	5'-11"	┌
S2(E)	77	#4	6'-2"	┌
S3(E)	8	#4	4'-6"	┌
S4(E)	8	#4	4'-3"	┌
U(E)	8	#5	4'-6"	┌
U1(E)	4	#4	5'-4"	┌

Note: See sheet 6 of 17 for additional details and Bill of Material.

MINIMUM BAR LAP

#4 bar = 2'-0"
#5 bar = 2'-6"

Note: Spacing of S(E) and S2(E) bars may be adjusted up to 4" in the immediate area of the transverse tie diaphragms to miss the block outs for the transverse ties.

PD-2736-L

7-1-10



USER NAME = jaymedf
DESIGNED - CMF
CHECKED - TMM
PLOT SCALE = @2.0000 '1" / in.
DRAWN - JLM
PLOT DATE = 1/31/2014
CHECKED - TMM
REVISED -

STATE OF ILLINOIS
DEPARTMENT OF TRANSPORTATION

27" x 36" PPC DECK BEAM
STRUCTURE NO. 020-0047

SHEET NO. 5 OF 17 SHEETS

F.A.P. RTE.	SECTION	COUNTY	TOTAL SHEETS	SHEET NO.
322	54B-3, 54B-2	DEWITT	89	59
				CONTRACT NO. 70606

ILLINOIS FED. AID PROJECT

c:\pwwork\jmedf\pwwork\jmedf\020047-79686-005-27x36DeckBms.dgn