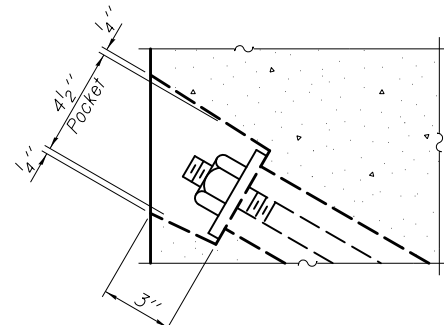


**FABRIC BEARING PAD**  
(Exterior)

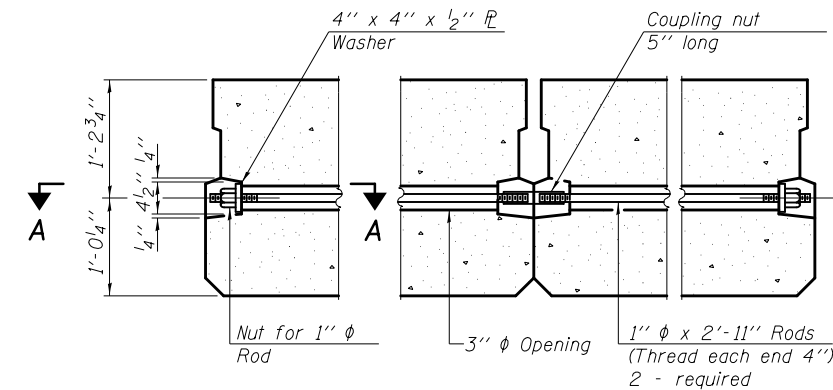
**FIXED**

Notes:

All bearing pads shall be 1/2" thick.  
Omit holes when using expansion bearings.  
Expansion bearing pad shall be bonded to the substructure.

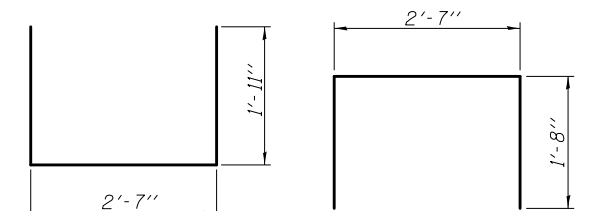


**SECTION A-A**



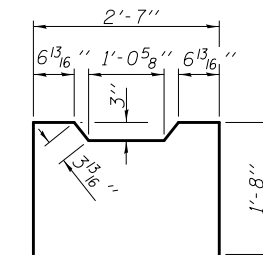
**TYPICAL TRANSVERSE TIE ASSEMBLY**

See sheet 8 of 17 for total number of nuts and washers required at each assembly.

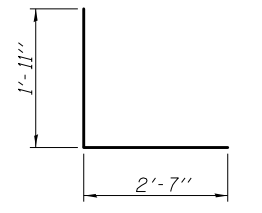


**BAR S(E)**

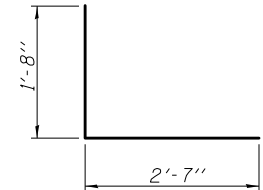
**BAR S1(E)**



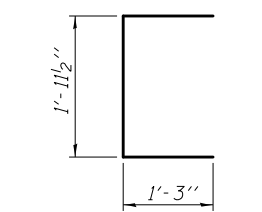
**BAR S2(E)**



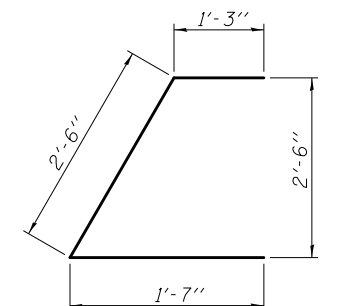
**BAR S3(E)**



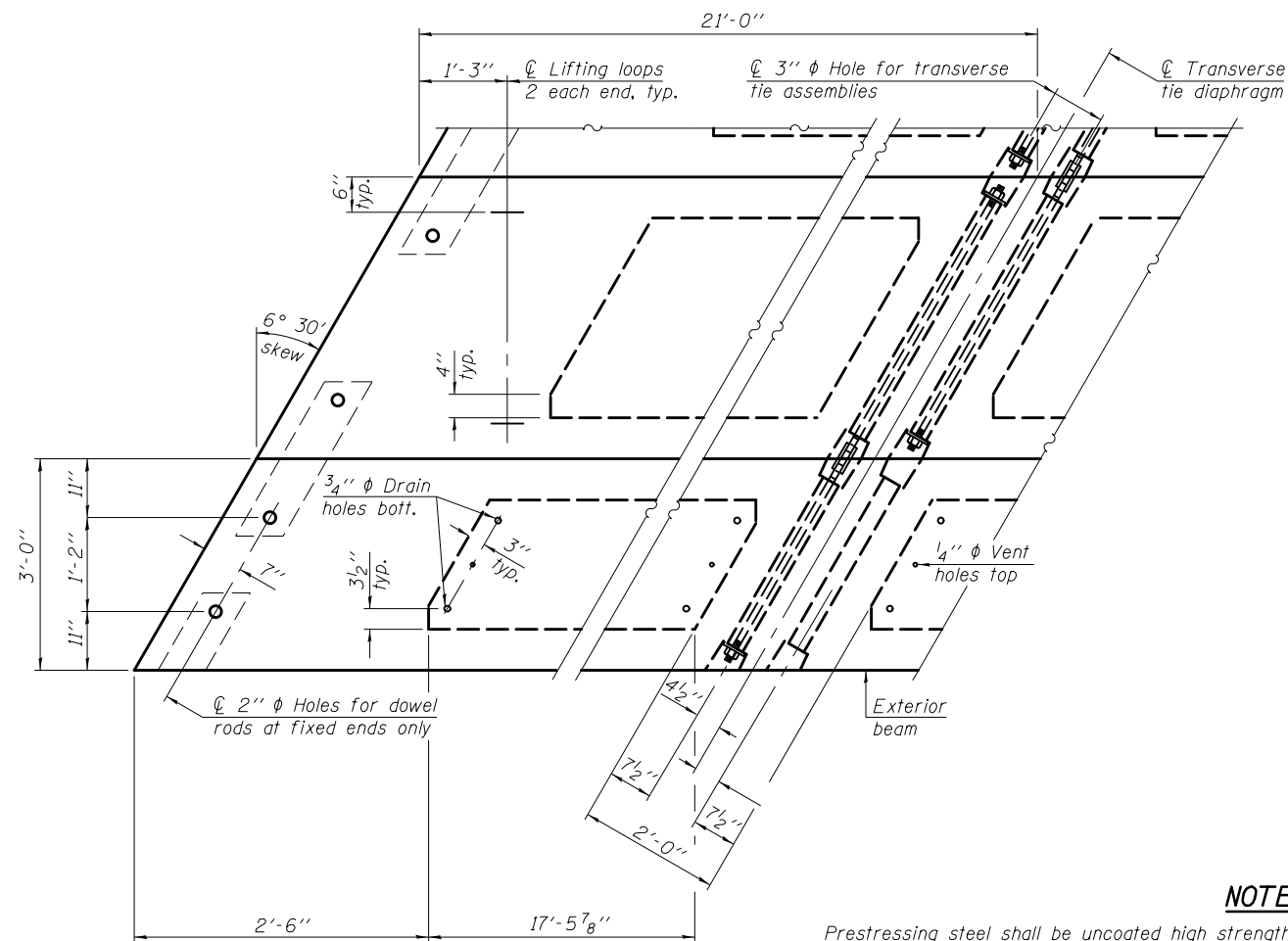
**BAR S4(E)**



**BAR U(E)**



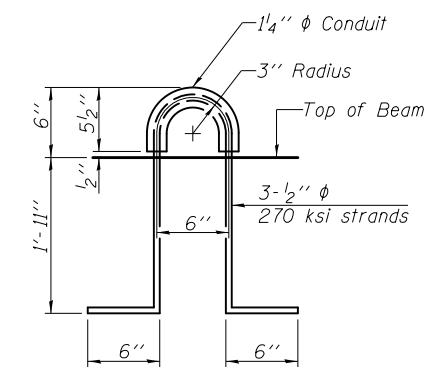
**BAR U1(E)**



**PLAN VIEW**

**NOTES**

- Prestressing steel shall be uncoated high strength, low relaxation 7-wire strand, Grade 270. The nominal diameter shall be 1/2" and the nominal cross-sectional area shall be 0.153 sq. in.
- The 1" diameter rods in the transverse tie assembly shall be tightened to a snug fit and the threads set. Pockets on exterior faces of bridge shall be filled with grout after transverse tie assembly is in place.
- Reinforcement bars shall conform to ASTM A 706, Grade 60.
- Two 1/8" fabric adjusting shims of the dimensions of the exterior bearing pad shall be provided for each bearing pad location.
- A minimum 2 1/2" diameter lifting pin shall be used to engage the lifting loops during handling.
- Corrosion Inhibitor, per Article 1020.05(b)(12) and 1021.07 of the Standard Specifications, shall be used in the concrete for precast prestressed concrete deck beams.
- Compressive strength of prestressed concrete, f'c, shall be 6000 psi.
- Compressive strength of prestressed concrete at release, f'ci, shall be 5000 psi.



**LIFTING LOOP DETAIL**

**BILL OF MATERIAL**

Precast Prestressed Conc. Deck Bms. (27" depth)	Sq. Ft.	379
(36" Wide PPC Deck Beams Only)		

c:\pwwork\jayedf\jayedf.dwg 02/20/2014 7:06:06 AM - DeckBmDe.r.dwg

USER NAME = jayedf	DESIGNED - CMF	REVISED -
PLOT SCALE = 0:2.0000" = 1" / 1"	CHECKED - TMM	REVISED -
PLOT DATE = 1/31/2014	DRAWN - JLM	REVISED -
	CHECKED - TMM	REVISED -

F.A.P. RTE.	SECTION	COUNTY	TOTAL SHEETS	SHEET NO.
322	54B-3, 54B-2	DEWITT	89	60
CONTRACT NO. 70606				
ILLINOIS FED. AID PROJECT				