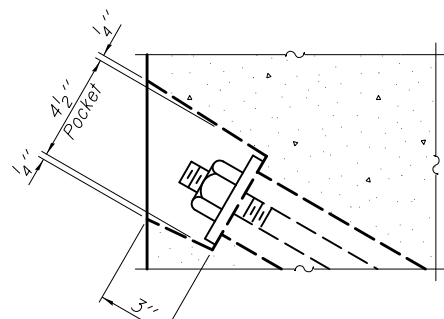
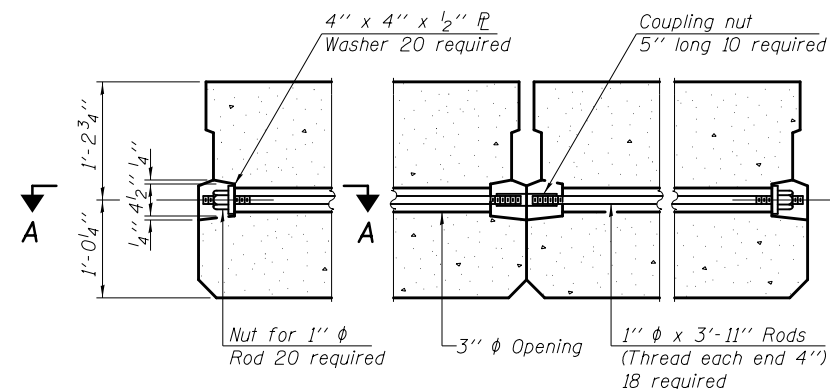


FABRIC BEARING PAD
(Interior)

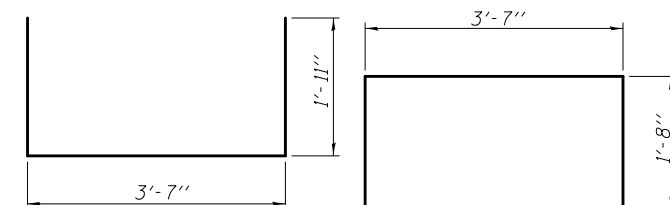


SECTION A-A

Notes:
FIXED
All bearing pads shall be 1/2" thick.
Omit holes when using expansion bearings.
Expansion bearing pad shall be bonded to the substructure.

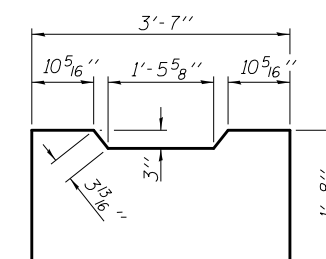


TYPICAL TRANSVERSE TIE ASSEMBLY



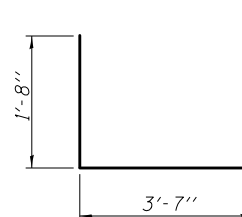
BAR S(E)

BAR S1(E)

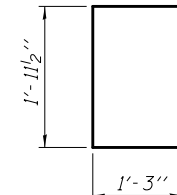


BAR S2(E)

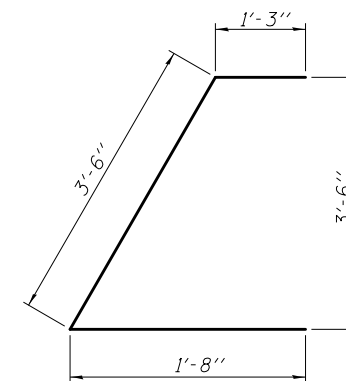
BAR S3(E)



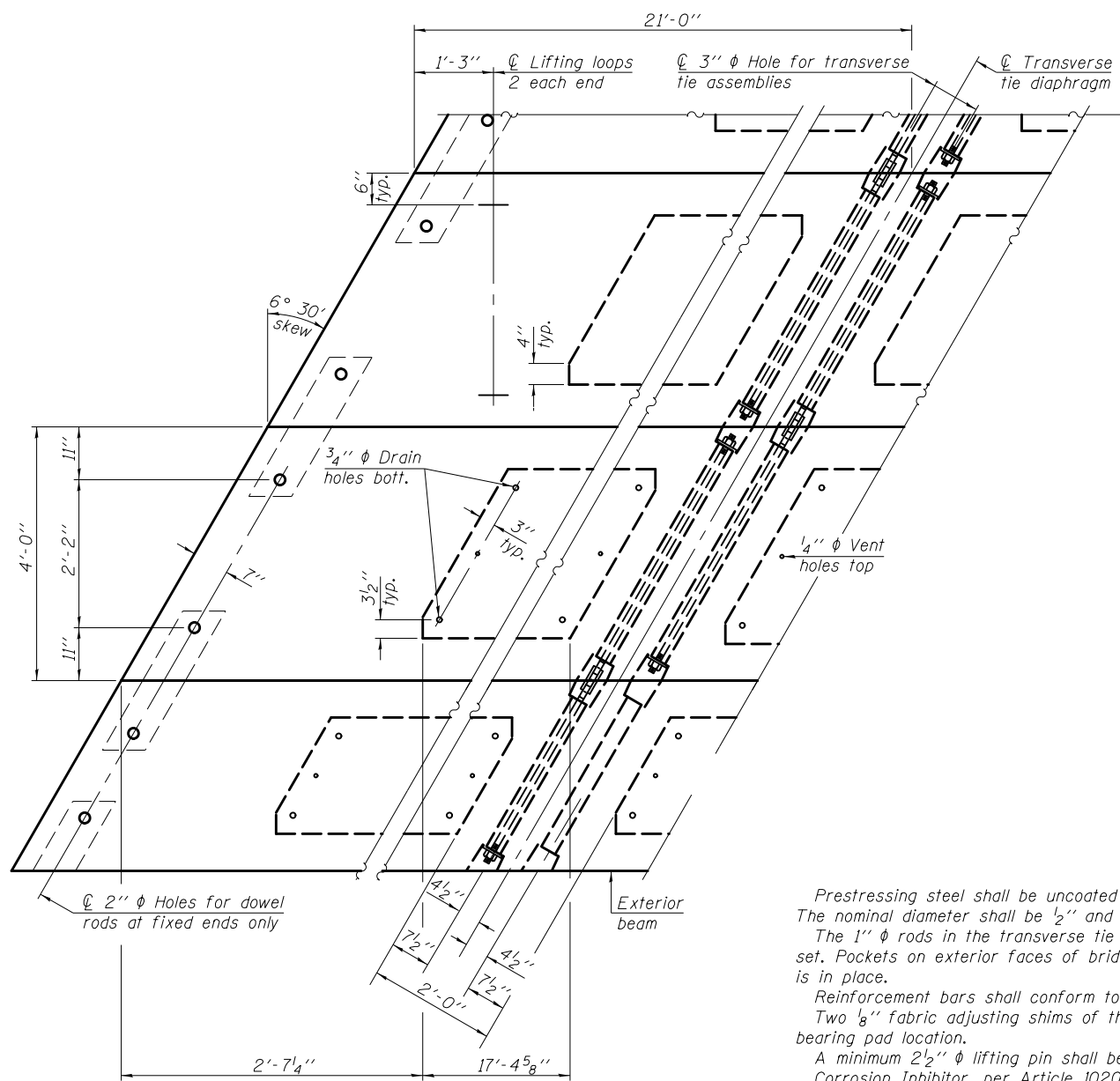
BAR S4(E)



BAR U(E)



BAR U1(E)

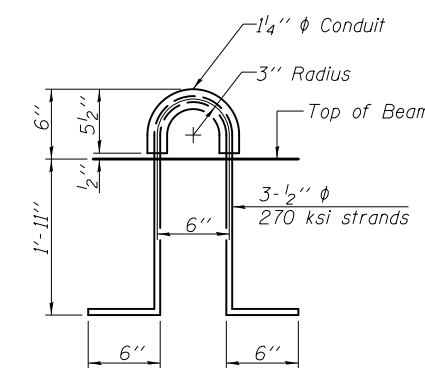


PLAN VIEW

Note: Connect beams in pairs with the transverse tie configuration shown.

NOTES

Prestressing steel shall be uncoated high strength, low relaxation 7-wire strand, Grade 270. The nominal diameter shall be 1/2" and the nominal cross-sectional area shall be 0.153 sq. in. The 1" phi rods in the transverse tie assembly shall be tightened to a snug fit and the threads set. Pockets on exterior faces of bridge shall be filled with grout after transverse tie assembly is in place.
Reinforcement bars shall conform to ASTM A 706, Grade 60.
Two 1/8" fabric adjusting shims of the dimensions of the exterior bearing pad shall be provided for each bearing pad location.
A minimum 2 1/2" phi lifting pin shall be used to engage the lifting loops during handling.
Corrosion Inhibitor, per Article 1020.05(b)(12) and 1021.07 of the Standard Specifications, shall be used in the concrete for precast prestressed concrete deck beams.
Compressive strength of prestressed concrete, f'c, shall be 6000 psi.
Compressive strength of prestressed concrete at release, f'ci, shall be 5000 psi.



LIFTING LOOP DETAIL

BILL OF MATERIAL

Precast Prestressed Conc. Deck Bms. (27" depth)	Sq. Ft.	2271
---	---------	------

(48" Wide PPC Deck Beams Only)

c:\pwwork\jayedf\jayedf_u0291813\0200047-70606-008-27x48DeckBmDet.dgn



USER NAME = jayedf	DESIGNED - CMF	REVISED -
PLOT SCALE = 0:2.0000 " = 1" / in.	CHECKED - TMM	REVISED -
PLOT DATE = 1/31/2014	DRAWN - JLM	REVISED -
	CHECKED - TMM	REVISED -

STATE OF ILLINOIS
DEPARTMENT OF TRANSPORTATION

27" x 48" PPC DECK BEAM DETAILS
STRUCTURE NO. 020-0047

SHEET NO. 8 OF 17 SHEETS

F.A.P. RTE.	SECTION	COUNTY	TOTAL SHEETS	SHEET NO.
322	54B-3, 54B-2	DEWITT	89	62
CONTRACT NO. 70606				
ILLINOIS FED. AID PROJECT				