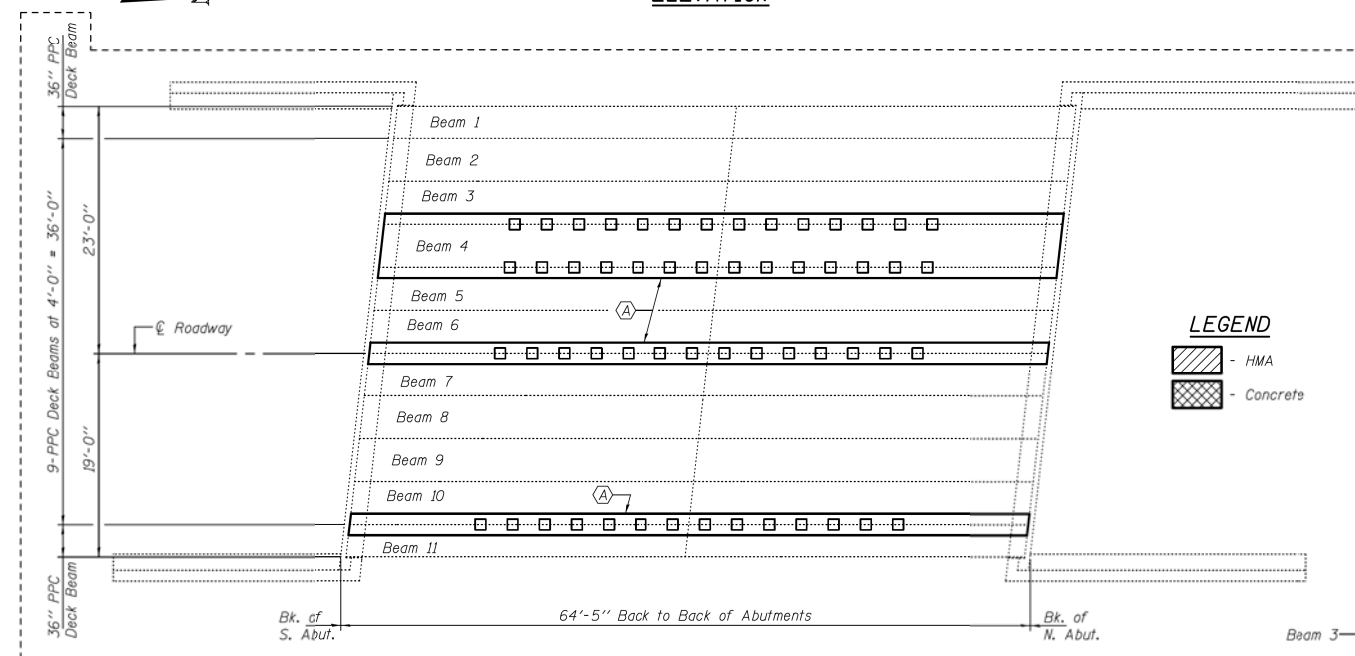


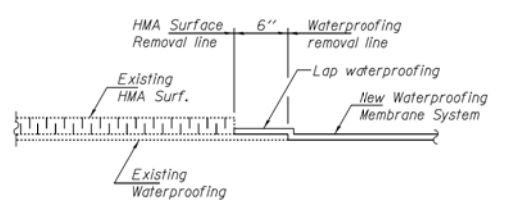
ELEVATION



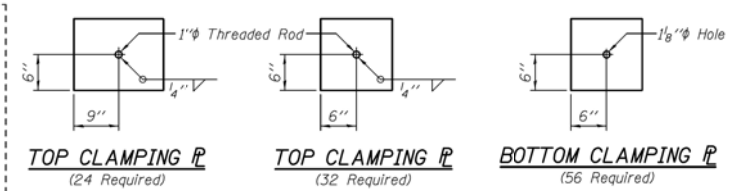
PLAN

(A) - Shear Key Clamping Device Installation & Keyway Repair

DRAFT
DATE: 09-13-2011



WATERPROOFING TREATMENT

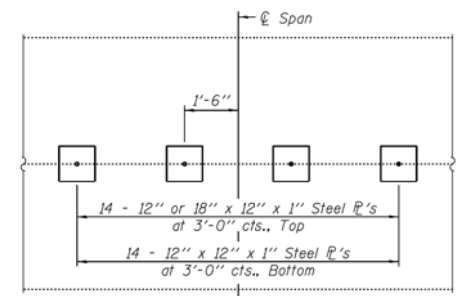


SHEAR KEY CLAMPING CONSTRUCTION SEQUENCE

1. Install 14 shear key clamping devices (7 on each side of $\bar{\epsilon}$ span).
2. Install backer rod in open joint.
3. Place concrete and cure.

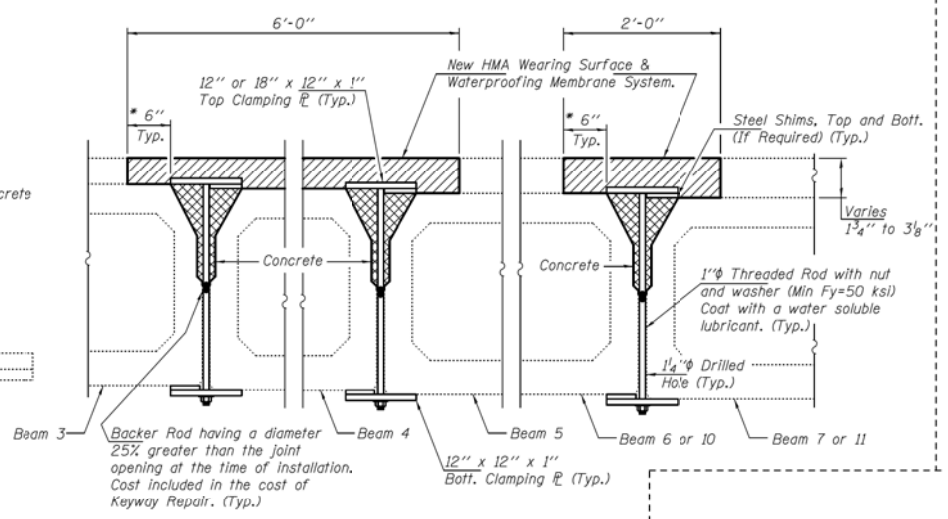
GENERAL NOTES

All structural steel shall conform to AASHTO Classification M-270 Gr. 36, unless otherwise noted.
 Plan dimensions and details relative to existing plans are subject to nominal construction variations. The Contractor shall field verify existing dimensions and details affecting new construction and make necessary approved adjustments prior to construction or ordering of materials. Such variations shall not be cause for additional compensation for a change in scope of the work, however, the Contractor will be paid for the quantity actually furnished at the unit price bid for the work.
 The shear key clamping devices shall be galvanized after shop fabrication according to AASHTO M111 and ASTM 385.



PLAN

* Existing waterproofing to remain. Lap new waterproofing membrane system with existing waterproofing.



SHEAR KEY CLAMPING DEVICE

Cost included with Keyway Repair (56 Required)

TOTAL BILL OF MATERIAL

ITEM	UNIT	QUANTITY
Hot-Mix Asphalt Surface Course, Mix "D", N50	Tons	12.4
HMA Surface Removal (Deck)	Sq. Yd.	71
Waterproofing Membrane System	Sq. Yd.	71
PC Mortar Fairing Course	Foot	254
Keyway Repair	Foot	254

DESIGNED -	EXAMINED -	DATE -	MARCH 14, 2011
CHECKED -	PASSED -	ACTING ENGINEER OF STRUCTURAL SERVICES	
DRAWN - Kyle M. Steffen		REVISED [1] -	08/12/2011 ADP
CHECKED -		ACTING ENGINEER OF BRIDGES AND STRUCTURES	REVISED [2] -
			09/13/2011 VW

NOTE: THESE PLANS ARE IN THE DRAFT STAGE & AS SUCH, ARE ONLY INTENDED TO OUTLINE THE SCOPE OF THE WORK REQUIRED. DIMENSIONS, DETAILS & QUANTITIES ARE SUBJECT TO CHANGE.

STATE OF ILLINOIS
DEPARTMENT OF TRANSPORTATION

GENERAL PLAN, ELEVATION & REPAIR DETAILS
SN 020-0047

F.A.P. RTE.	SECTION	COUNTY	TOTAL SHEETS	SHEET NO.
322	Posting Mitigation	DEWITT	16	4
	FY2011-2	CONTRACT NO.	70895	
ILLINOIS FED. AID PROJECT				

These are Draft Plans of the in-place repairs and are for information only.

FOR INFORMATION ONLY

c:\pwwork\jayedof\jayedof\020047-70666-017-ExBn.dgn

USER NAME = jayedof	DESIGNED - CMF	REVISED -
PLOT SCALE = 0:2.0000 '1" / 1"	CHECKED - TMM	REVISED -
PLOT DATE = 1/31/2014	DRAWN - JLM	REVISED -
	CHECKED - TMM	REVISED -