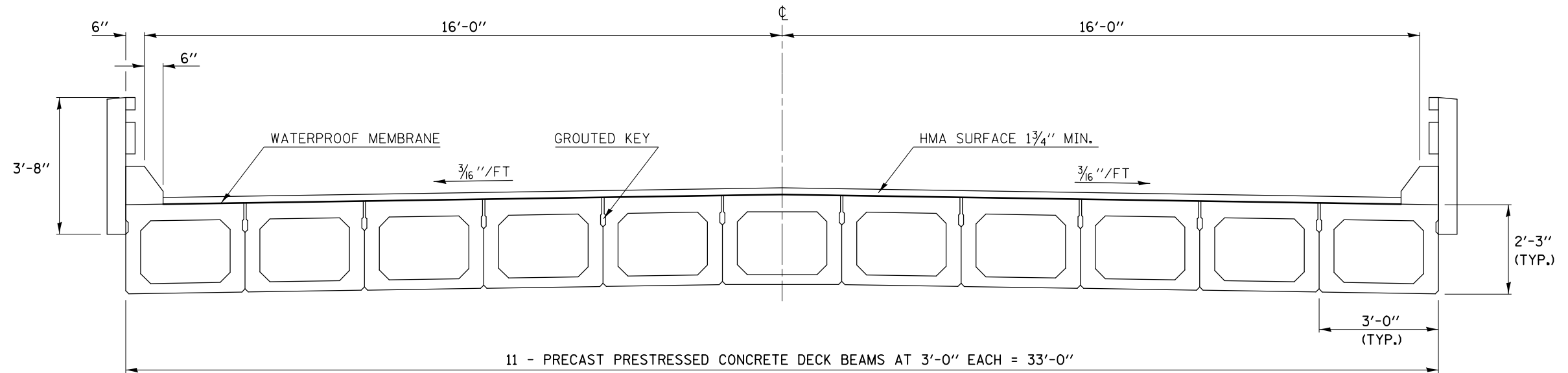


**EXISTING TYPICAL CROSS SECTION**

**F.A.P. 711 (IL 119)**

STATION TO STATION  
729+89.30 732+02.55



- \*TAPER EXISTING SHOULDER SLOPE TO -4% SLOPE  
LT STA. 721+50 TO STA. 722+40
- \*TAPER -4% SHOULDER SLOPE TO EXISTING SLOPE  
LT STA. 743+30 TO STA. 744+00  
RT STA. 743+20 TO STA. 744+00

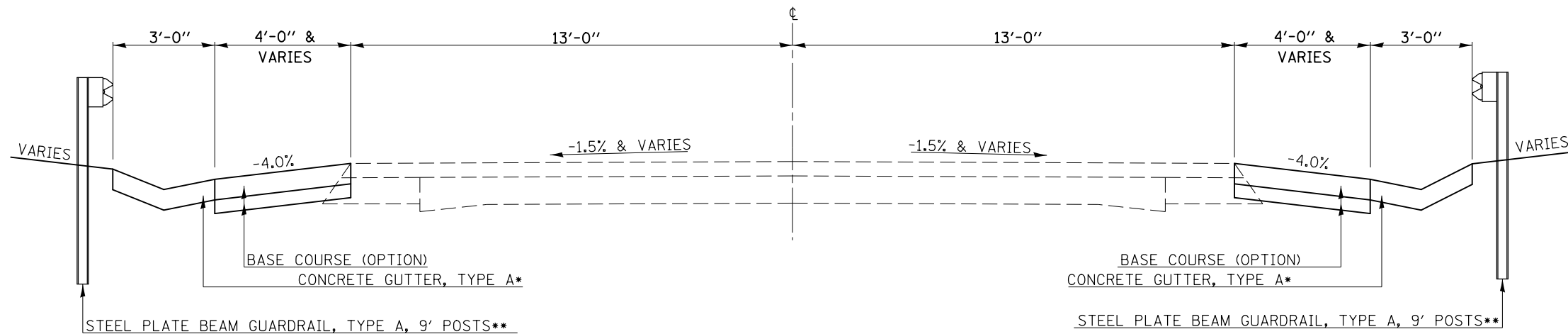
**PROPOSED TYPICAL CROSS SECTION**

**F.A.P. 711 (IL 119)**

STATION TO STATION  
721+50.00 LT 723+98.00 LT  
740+85.00 LT 744+00.00 LT  
740+85.00 RT 744+00.00 RT

**\*\*PROPOSED GUARDRAIL AND TRAFFIC BARRIER TERMINALS**

- LT STA. 724+20.00 TO STA. 727+86.11
- LT STA. 728+13.78 TO STA. 729+23.75
- LT STA. 732+46.25 TO STA. 736+56.87
- LT STA. 736+83.07 TO STA. 743+50.00
- RT STA. 723+38.50 TO STA. 727+92.41
- RT STA. 728+01.29 TO STA. 729+23.75
- RT STA. 732+46.25 TO STA. 733+65.37
- RT STA. 733+81.36 TO STA. 743+35.78



FILE NAME =	USER NAME = hoganbj	DESIGNED -	REVISED - BJH 01/24/2014
*FILE*		DRAWN - MK	REVISED -
	PLOT SCALE = 40.0000' / in.	CHECKED - SD	REVISED -
	PLOT DATE = 1/24/2014	DATE - 10/18/13	REVISED -

STATE OF ILLINOIS  
DEPARTMENT OF TRANSPORTATION

TYPICAL SECTIONS  
SCALE: N.T.S. SHEET NO. 2 OF 4 SHEETS

F.A.P. RTE.	SECTION	COUNTY	TOTAL SHEETS	SHEET NO.
711	116BR-1	VERMILION	84	12
CONTRACT NO. 70614				
ILLINOIS FED. AID PROJECT				