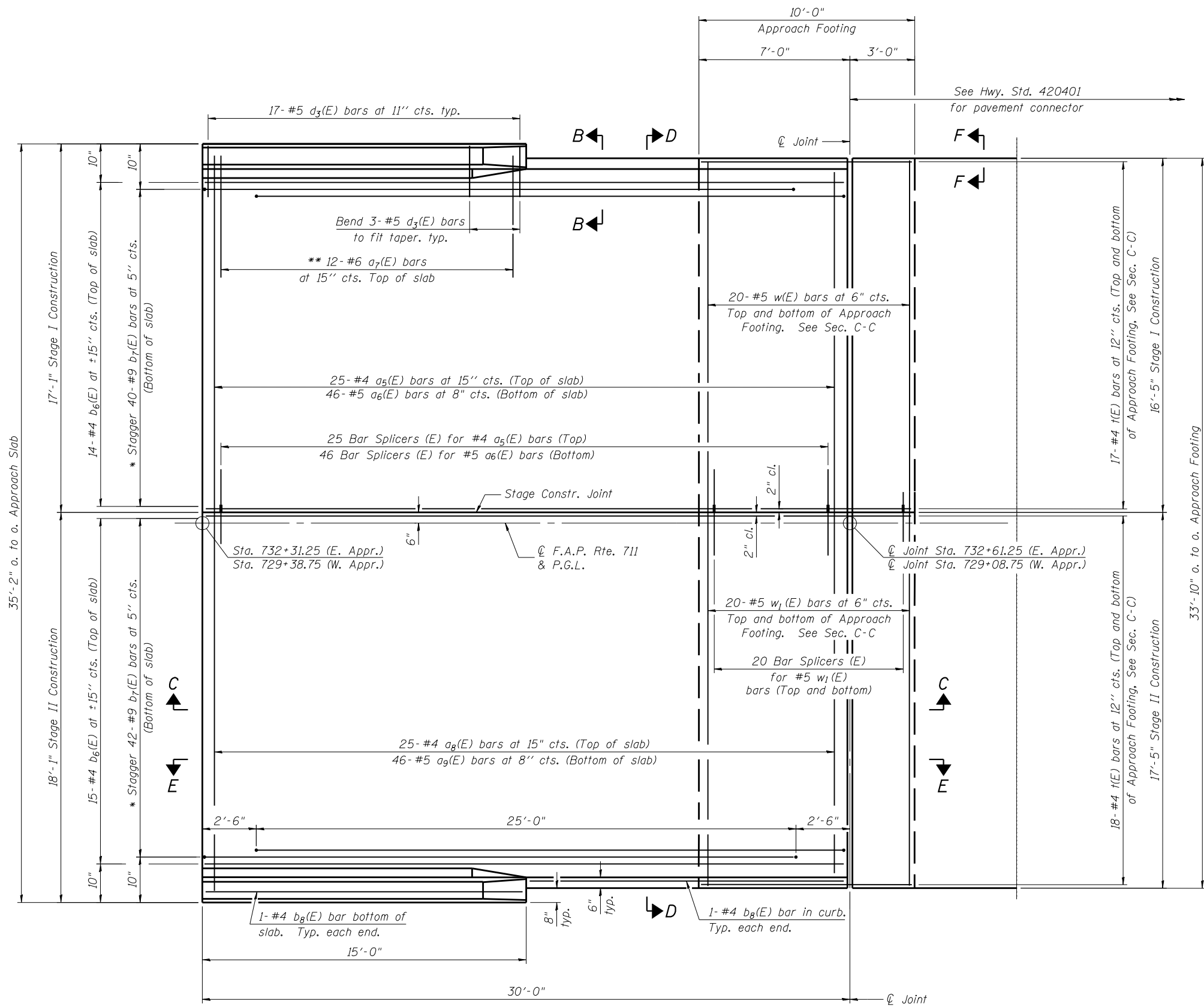


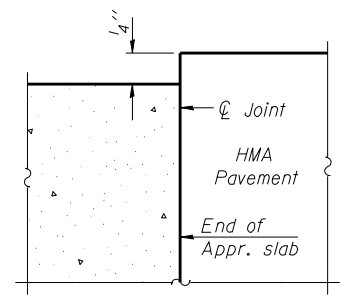
Notes:  
See sheet 17 of 33 for Sections C-C & D-D and View E-E.  
a<sub>5</sub>(E), a<sub>6</sub>(E), a<sub>8</sub>(E) and a<sub>9</sub>(E) bar spacings measured along  $\phi$  Rdwy.



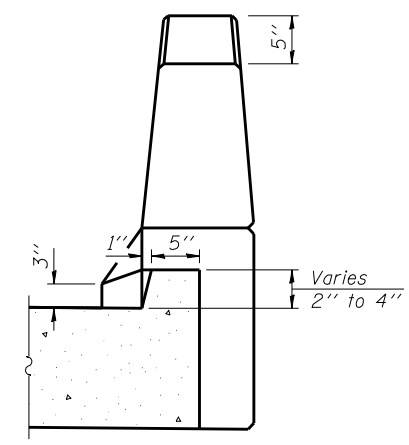
**PLAN**

(East approach shown, West approach - opposite hand)

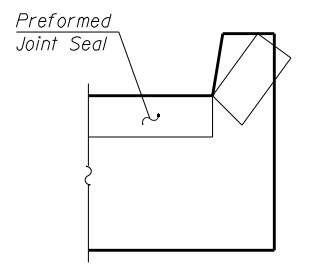
- \* Tilt #9 b<sub>7</sub>(E) bars as required to maintain clearance.
- \*\* Space between a<sub>5</sub>(E) and a<sub>8</sub>(E) bars, typ. ea. parapet.



**FLEXIBLE PAVEMENT  
DETAIL A**



**VIEW B-B**



**VIEW F-F**

Angle Preformed Joint Seal at 45° at curbs when req'd for drainage.

PRINT DATE: 3/24/2014 12:45:35 PM Z:\10053301\1119\_ever\_Vermilion\pdr\Bridges\Final\Plotsheets\0920207-70614-016-Appr-Slab.dgn

**EFK Moen, LLC**  
Civil Engineering Design  
331 Salem Place, Suite 225  
Fairview Heights, IL 62208  
Phone 618-206-4250

|                              |                  |           |
|------------------------------|------------------|-----------|
| USER NAME = cdl              | DESIGNED - CTW   | REVISED - |
| PLOT SCALE = 0/2" = 1' / IN. | CHECKED - CDL    | REVISED - |
| PLOT DATE = 3/24/2014        | DRAWN - CTW      | REVISED - |
|                              | DATE - 3/24/2014 | REVISED - |

**STATE OF ILLINOIS  
DEPARTMENT OF TRANSPORTATION**

**BRIDGE APPROACH SLAB DETAILS (1 of 2)  
STRUCTURE NO. 092-0207**

SHEET NO. 16 OF 33 SHEETS

| F.A.P. RTE.               | SECTION | COUNTY    | TOTAL SHEETS | SHEET NO. |
|---------------------------|---------|-----------|--------------|-----------|
| 711                       | I16BR-1 | VERMILION | 84           | 46        |
| CONTRACT NO. 70614        |         |           |              |           |
| ILLINOIS FED. AID PROJECT |         |           |              |           |