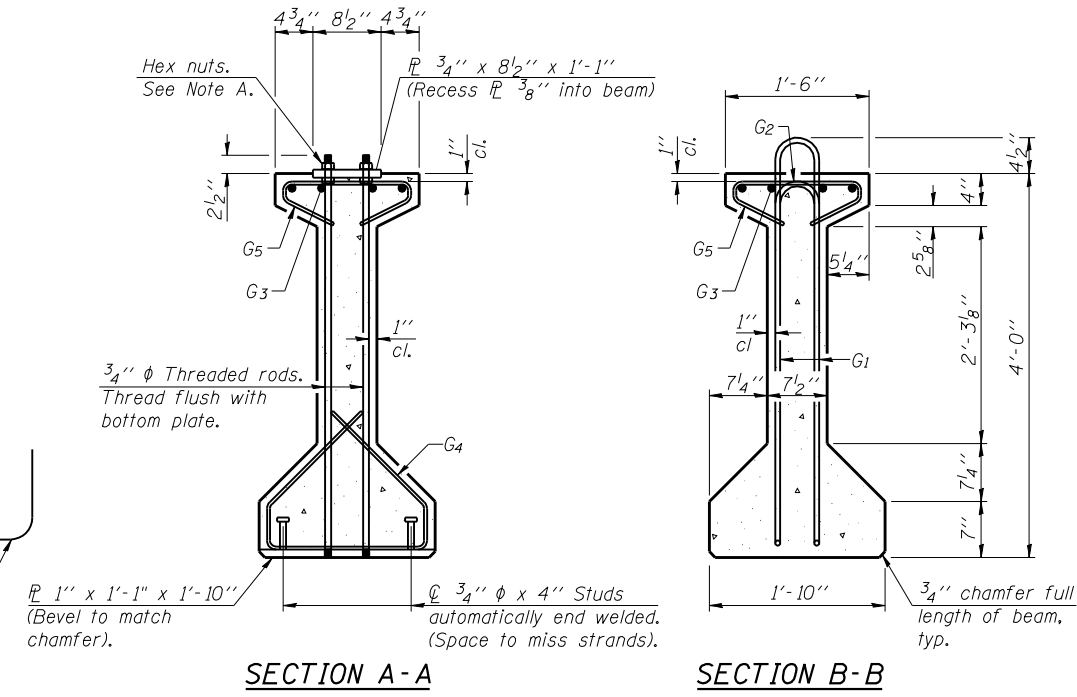


**ELEVATION OF BEAM**  
(Showing reinforcement & dimensions)

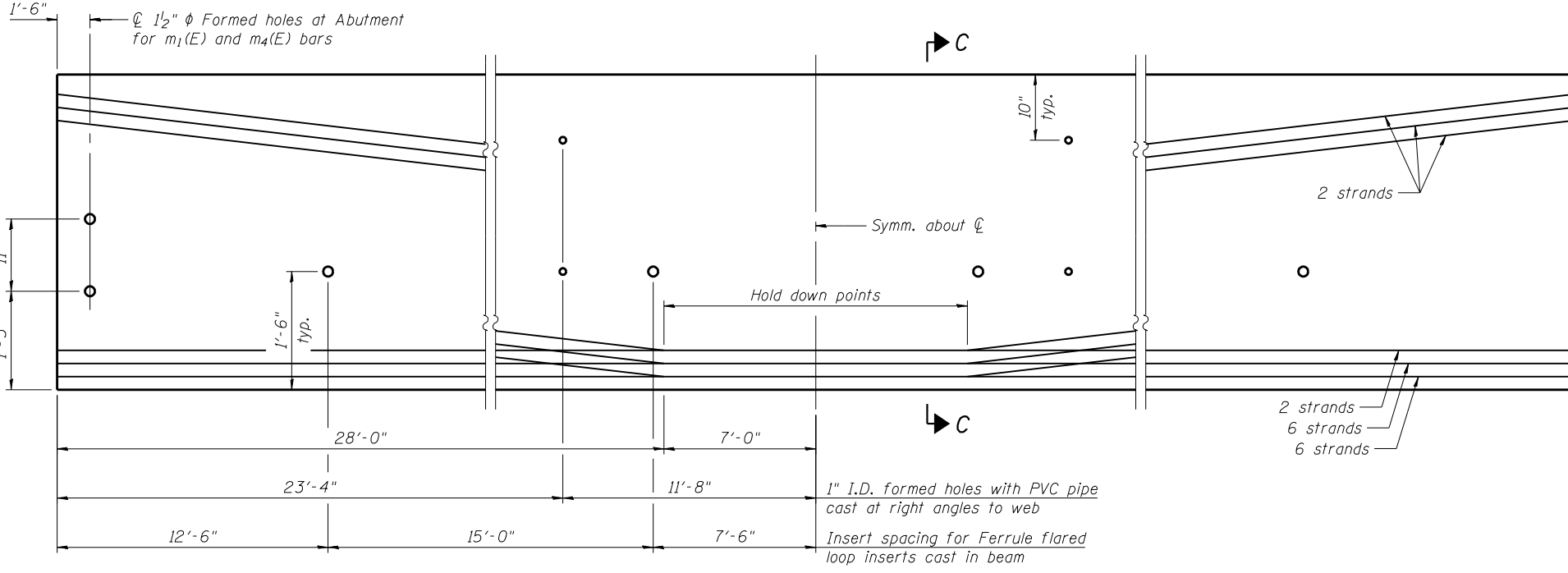
\* 3 spaces at 3" = 9"  
\*\* 4-3/4"  $\phi$  threaded dowel rods at 3" cts., Each Face.

Note A:  
Hex nuts (top and bottom) with lock washers (top). Only tighten sufficiently to compress lock washers.

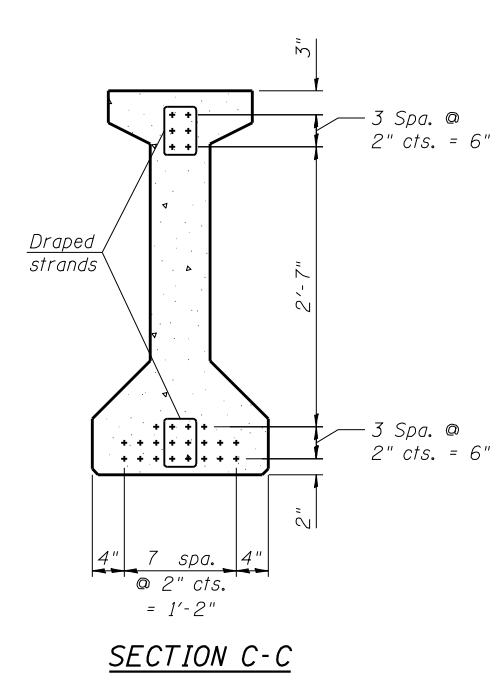


**SECTION A-A**

**SECTION B-B**



**ELEVATION OF BEAM**  
(Showing prestressing steel)  
(Span 1 shown, Span 4 opposite hand)



**SECTION C-C**

**\*\*\*BAR LIST  
ONE BEAM ONLY**

Bar	No.	Size	Length	Shape
G <sub>1</sub>	110	#4	9'-6"	⌈
G <sub>2</sub>	12	#4	7'-11"	⌈
G <sub>3</sub>	8	#7	36'-8"	⌈
G <sub>4</sub>	38	#3	5'-3"	⌈
G <sub>5</sub>	70	#3	2'-9"	⌈
G <sub>6</sub>	2	#8	6'-6"	⌈

\*\*\*For information only  
Notes:  
See sheet 22 of 33 for additional details and Bill of Material.  
Required release strength,  $f'_{ci}$ , shall be 5,000 psi.  
Required final strength,  $f'_{cs}$ , shall be 6,000 psi.

PRINT DATE: 3/24/2014 12:46:51 PM Z:\10053301\1119 over Vermilion\pdp\Bridges\Final\Plotsheets\092207-70614-019-PPC\_Bm\_Spl&4.dgn

**PI-4-48**  
**EFK Moen, LLC**  
Civil Engineering Design  
331 Salem Place, Suite 225  
Fairview Heights, IL 62208  
Phone 618-206-4250

USER NAME = cdl	DESIGNED - CTW	REVISED -
	CHECKED - CDL	REVISED -
PLOT SCALE = 0/2" = 1' / IN.	DRAWN - CTW	REVISED -
PLOT DATE = 3/24/2014	DATE - 3/24/2014	REVISED -

**STATE OF ILLINOIS  
DEPARTMENT OF TRANSPORTATION**

**48" PPC I-BEAM - SPANS 1 & 4  
STRUCTURE NO. 092-0207**

F.A.P. RTE.	SECTION	COUNTY	TOTAL SHEETS	SHEET NO.
711	116BR-1	VERMILION	84	49
CONTRACT NO. 70614				

SHEET NO. 19 OF 33 SHEETS

ILLINOIS FED. AID PROJECT