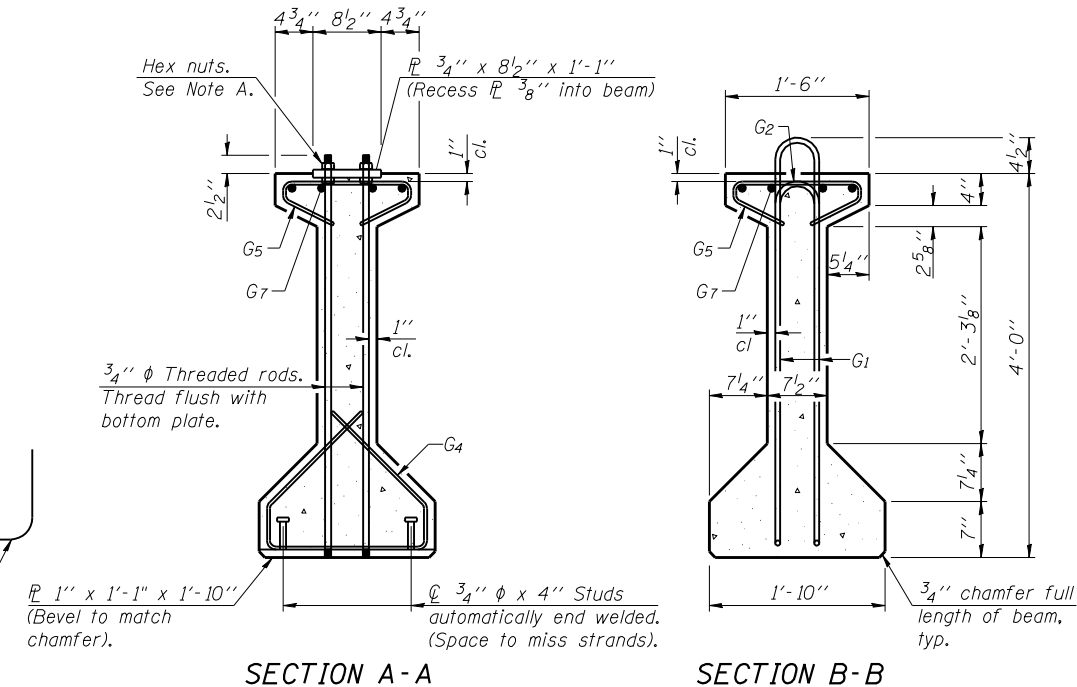


ELEVATION OF BEAM
(Showing reinforcement & dimensions)

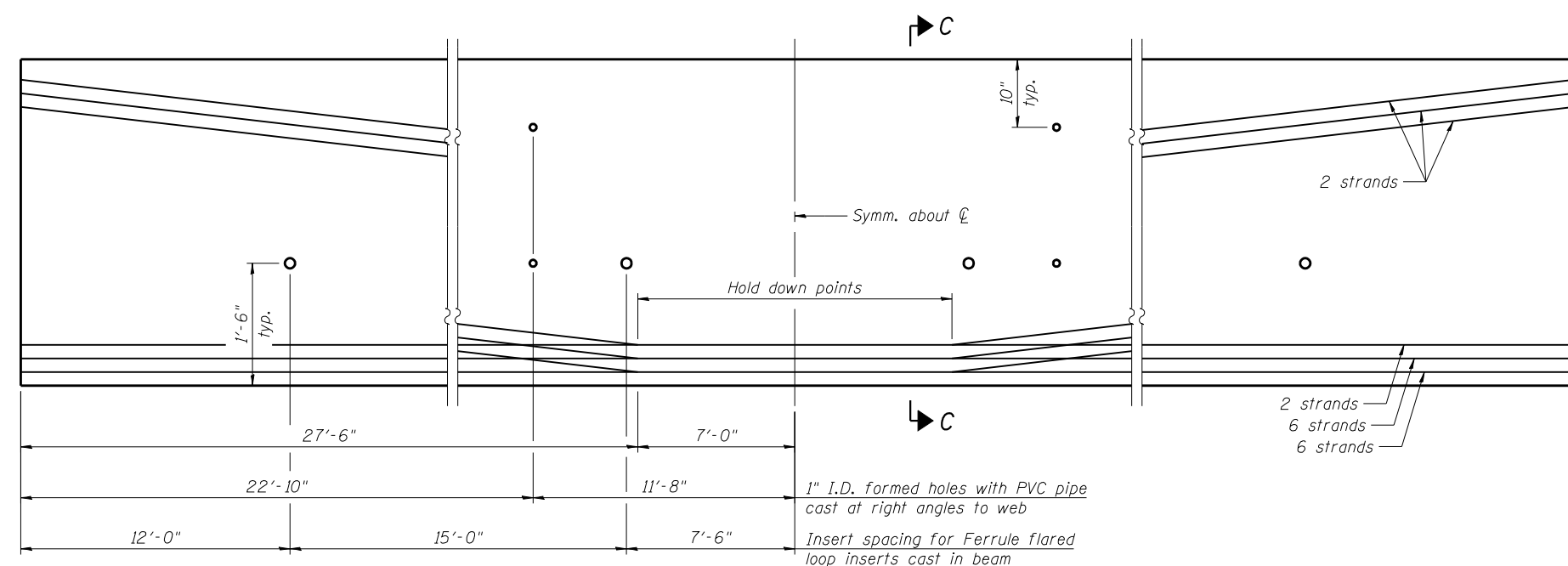
* 3 spaces at 3" = 9"
** 4-3/4" φ threaded dowel rods at 3" cts., Each Face.

Note A:
Hex nuts (top and bottom) with lock washers (top). Only tighten sufficiently to compress lock washers.

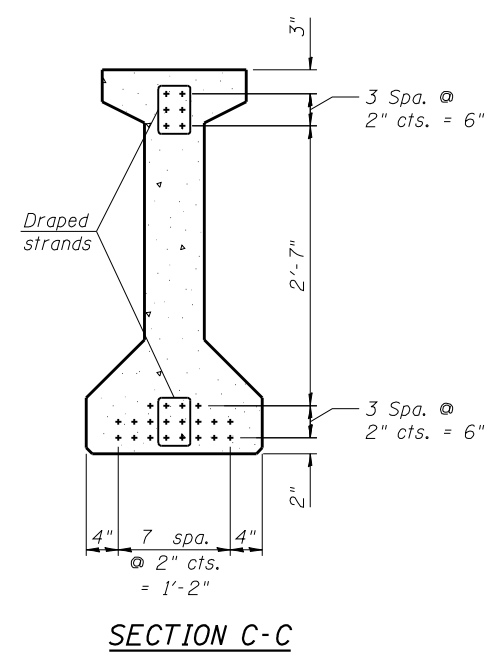


SECTION A-A

SECTION B-B



ELEVATION OF BEAM
(Showing prestressing steel)



SECTION C-C

*****BAR LIST
ONE BEAM ONLY**

Bar	No.	Size	Length	Shape
G ₁	107	#4	9'-6"	⊏
G ₂	12	#4	7'-11"	⊏
G ₄	38	#3	5'-3"	⊏
G ₅	69	#3	2'-9"	⊏
G ₆	4	#8	6'-6"	⊏
G ₇	8	#7	36'-2"	⊏

***For information only
Notes:
See sheet 22 of 33 for additional details and Bill of Material.
Required release strength, f'_{ci} , shall be 5,000 psi.
Required final strength, f'_{cs} , shall be 6,000 psi.

PRINT DATE: 3/24/2014 12:47:06 PM Z:\10053.01\1119 over- Vermilion\edgn\Bridges\Final\Plotsheets\0920207-70614-020-PPC-8m_Sp2.dgn

PI-4-48
EFK Moen, LLC
Civil Engineering Design
331 Salem Place, Suite 225
Fairview Heights, IL 62208
Phone 618-206-4250

USER NAME = cdl	DESIGNED - CTW	REVISED -
PLOT SCALE = 0/2" = 1' / IN.	CHECKED - CDL	REVISED -
PLOT DATE = 3/24/2014	DRAWN - CTW	REVISED -
	DATE - 3/24/2014	REVISED -

**STATE OF ILLINOIS
DEPARTMENT OF TRANSPORTATION**

**48" PPC I-BEAM - SPAN 2
STRUCTURE NO. 092-0207**
SHEET NO. 20 OF 33 SHEETS

F.A.P. RTE.	SECTION	COUNTY	TOTAL SHEETS	SHEET NO.
711	I16BR-1	VERMILION	84	50
CONTRACT NO. 70614				
ILLINOIS FED. AID PROJECT				