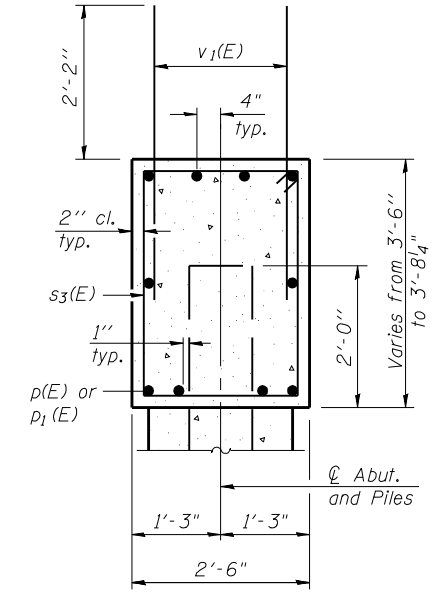
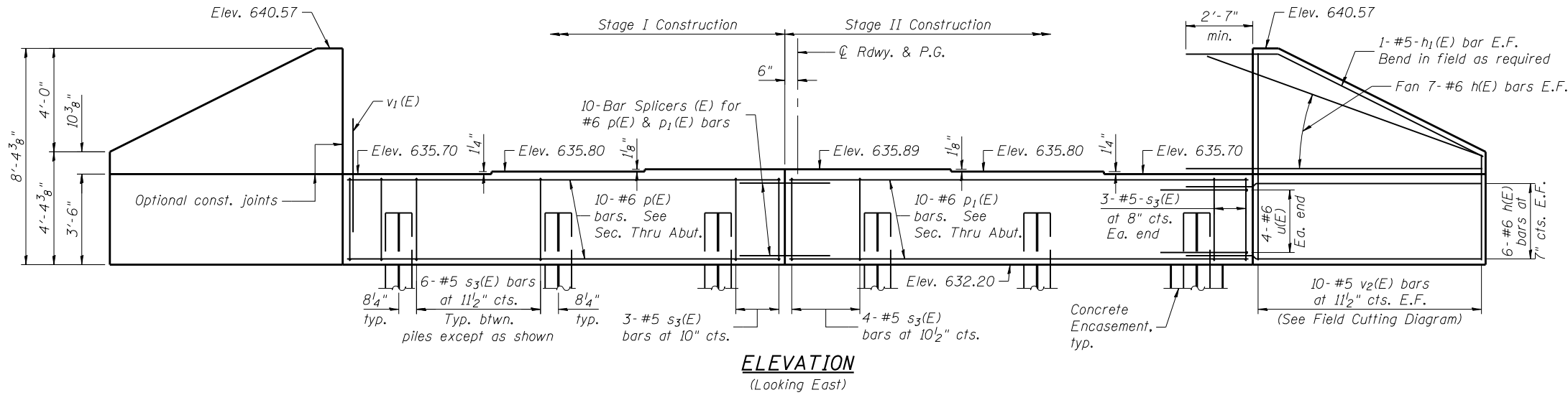
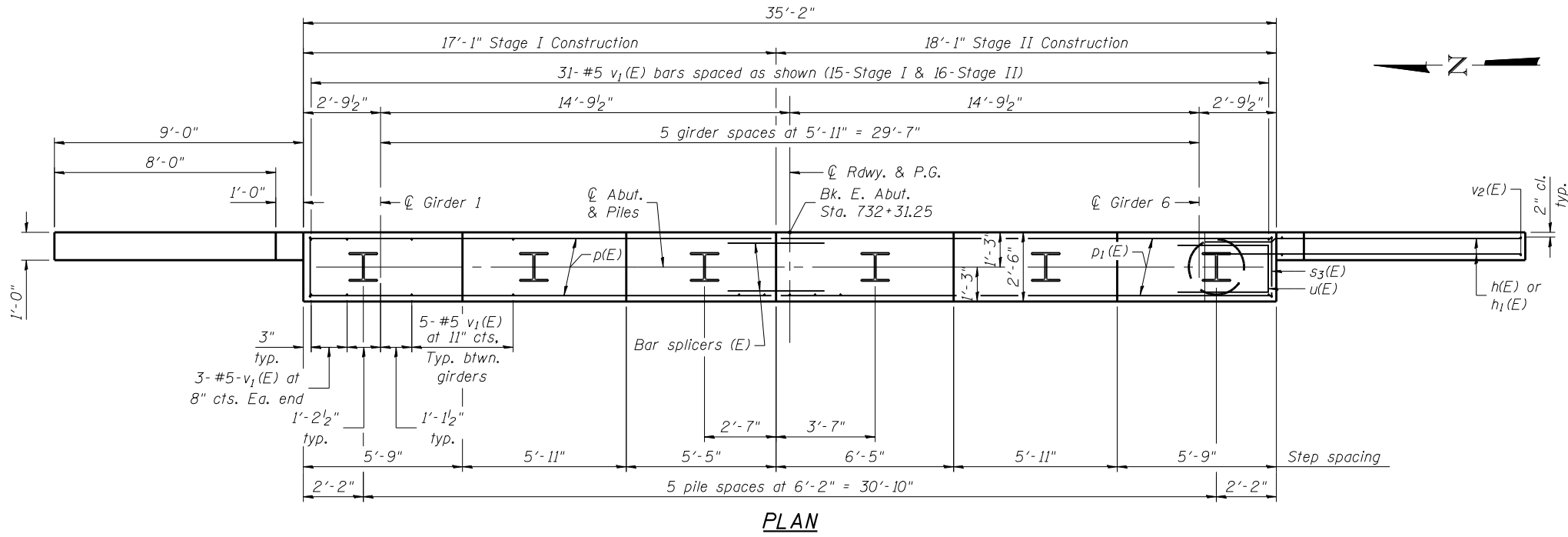


Notes:
Pour steps monolithically with cap.



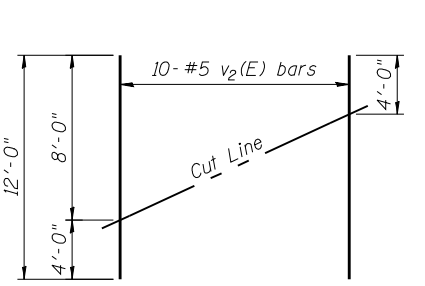
SEC. THRU ABUT.



PLAN

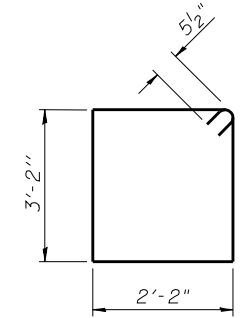
PILE DATA

Type: Steel HP12x53
Nominal Required Bearing: 365 Kips
Factored Resistance Available: 201 Kips
Est. Length: 55'
No. Production Piles: 5
No. Test Piles: 1

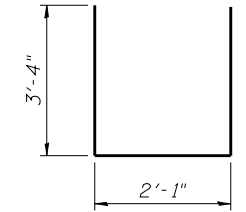


FIELD CUTTING DIAGRAM

Order v2(E) full length. Cut as shown and use remainder of bars in opposite face.



BAR s3(E)



BAR u(E)

BILL OF MATERIAL

Bar	No.	Size	Length	Shape
h(E)	52	#6	11'-5"	—
h1(E)	4	#5	12'-4"	—
p(E)	10	#6	16'-9"	—
p1(E)	10	#6	17'-9"	—
s3(E)	37	#5	11'-7"	□
u(E)	8	#6	8'-9"	□
v1(E)	62	#5	4'-4"	—
v2(E)	20	#5	12'-0"	—
Structure Excavation			Cu. Yd.	94
Concrete Structures			Cu. Yd.	16.1
Reinforcement Bars, Epoxy Coated			Pound	2540
Furnishing Steel Piles HP12x53			Foot	275
Driving Piles			Foot	275
Test Pile Steel HP12x53			Each	1
Concrete Encasement			Cu. Yd.	2.1

For details of Bar Splicers, see sheet 30 of 33.
For details of piles and Concrete Encasement, see sheet 29 of 33.

PRINT DATE: 3/24/2014 4:46:37 PM Z:\10053301\1119 over-verification\Bridges\Final\Plotsheets\0920207-70614-025-East-Abut.dgn

AI-0
EFK Moen, LLC
Civil Engineering Design
331 Salem Place, Suite 225
Fairview Heights, IL 62208
Phone 618-206-4250

USER NAME = cdl	DESIGNED - CTW	REVISED -
PLOT SCALE = 0.2" = 1' / IN.	CHECKED - CDL	REVISED -
PLOT DATE = 3/24/2014	DRAWN - CTW	REVISED -
	DATE - 3/24/2014	REVISED -

STATE OF ILLINOIS
DEPARTMENT OF TRANSPORTATION

EAST ABUTMENT DETAILS
STRUCTURE NO. 092-0207
SHEET NO. 25 OF 33 SHEETS

F.A.P. RTE.	SECTION	COUNTY	TOTAL SHEETS	SHEET NO.
711	116BR-1	VERMILION	84	55
CONTRACT NO. 70614				
ILLINOIS FED. AID PROJECT				