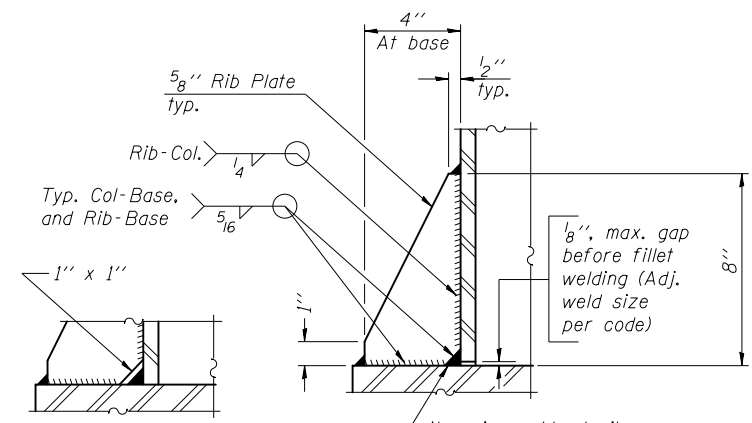
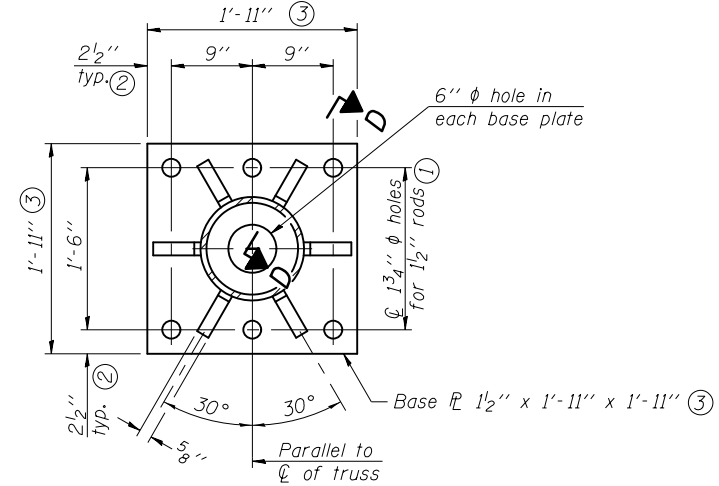
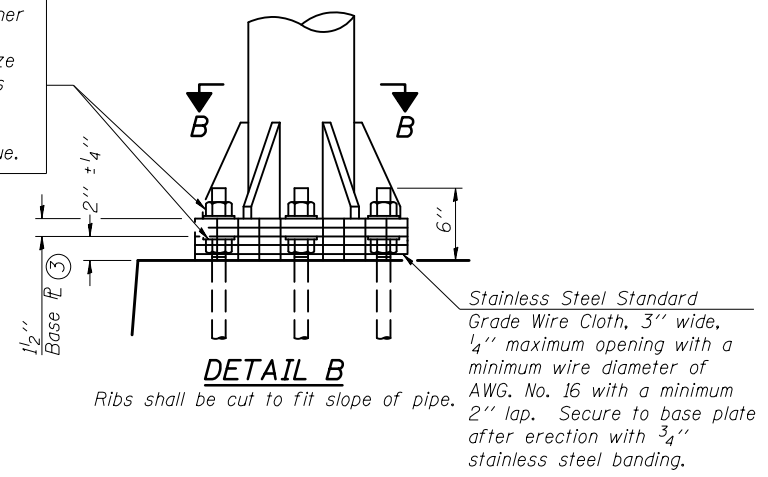
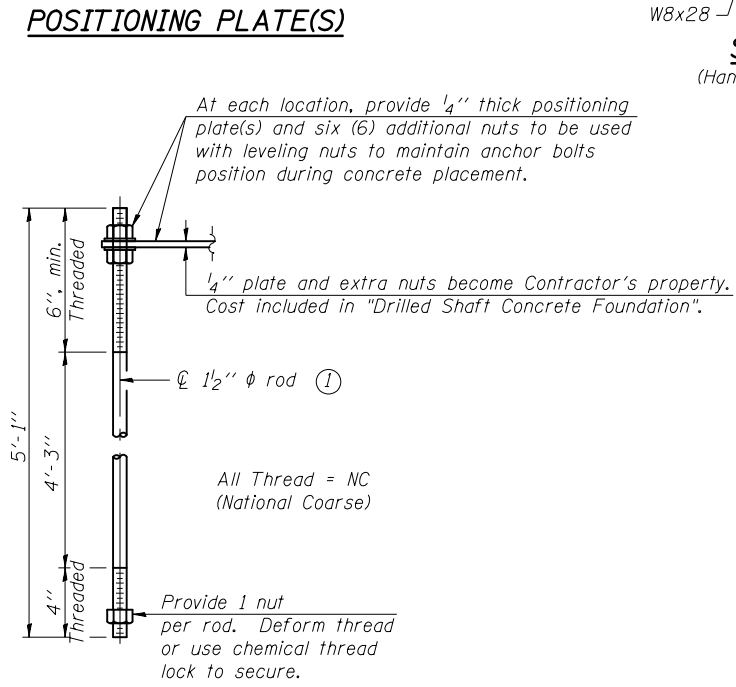
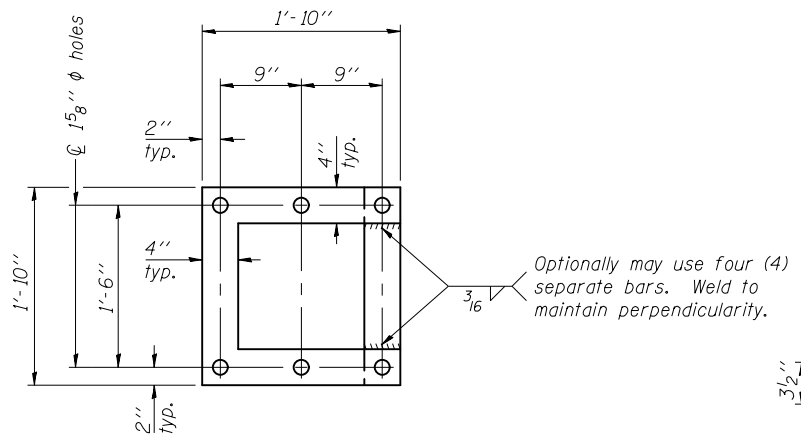


Hexagon locknut and washer (top), leveling nut and washer (bottom). Galvanize per AASHTO M232. Nuts shall each be tightened against base plate with 200 lb.-ft. minimum torque.



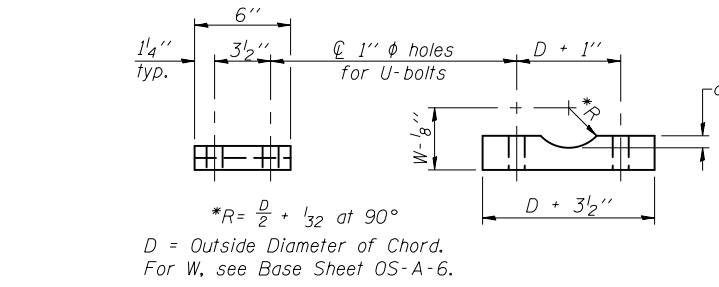
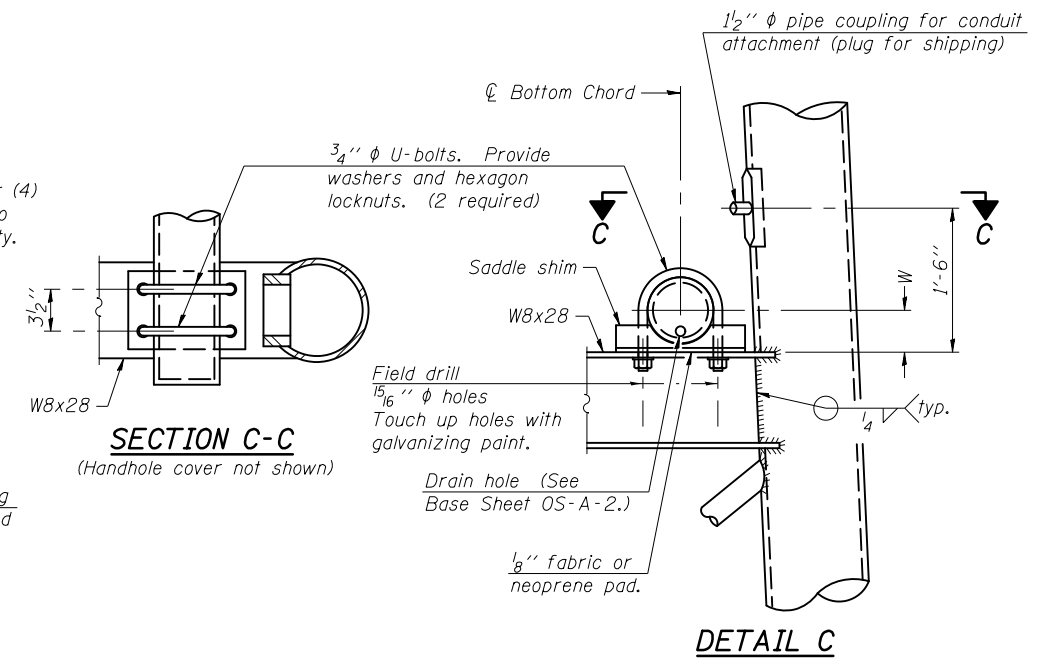
** Alternate detail if welding col. to base plate first, then snip inside corner of ribs. Terminate weld on rib 1/4" from snip.



TYPE III-A TRUSS
12" ϕ PIPE SUPPORT FRAME DETAILS

Notes:
For Type III-A Truss spans greater than 150 ft. and up to 160 ft.:

- ① 1 3/4" ϕ rod, 2" ϕ holes
- ② 2 3/4" edge distance
- ③ Base Pl 1 5/8" x 1' - 11 1/2" x 1' - 11 1/2"



Truss Chord Nominal Dia.	a
7"	1"
8 1/2"	1 1/4"
9"	1 3/8"

SADDLE SHIM DETAIL
ASTM B26 Alloy 356-F
or
ASTM B209 Alloy 6061-T651
(4 required per sign truss)

OS4-A-8aA

6-1-12

FILE NAME =	USER NAME = biggsrd	DESIGNED -	REVISED -
c:\pwwork\pwwid\biggsrd\0340463\PTZ	camera plans.dgn	DRAWN -	REVISED -
	PLOT SCALE = 40.0000' / in.	CHECKED -	REVISED -
MODELNAME	PLOT DATE = 2/7/2014	DATE -	REVISED -

STATE OF ILLINOIS
DEPARTMENT OF TRANSPORTATION

OVERHEAD SIGN STRUCTURES
SUPPORT FRAME FOR TYPE III-A ALUMINUM TRUSS

SCALE: SHEET OF SHEETS STA. TO STA.

F.A.P. RTE.	SECTION	COUNTY	TOTAL SHEETS	SHEET NO.
VAR.	FY2014 ITS-1	CHAMPAIGN	74	30
			CONTRACT NO. 70A26	
ILLINOIS FED. AID PROJECT				