

* Center of horizontal to center of splice dimension may vary. Verify before drilling holes in mounting tube.

PLAN DETAIL "A"
 ☉ Span between Panel Points

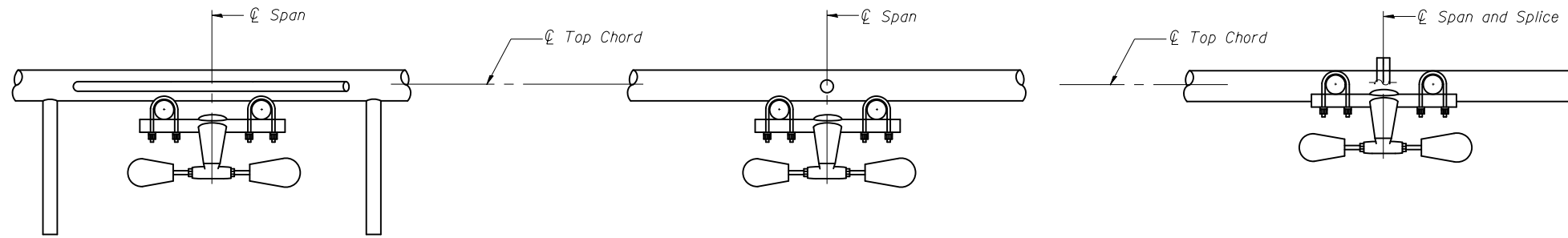
PLAN DETAIL "B"
 ☉ Span at Panel Point

PLAN DETAIL "C"
 ☉ Span at ☉ Chord Splice

NOTES

Damper: One damper per truss. (31 lbs. minimum Stockbridge-Type Aluminum - 29" minimum between ends of weights) Cost included in Overhead Sign Structure...

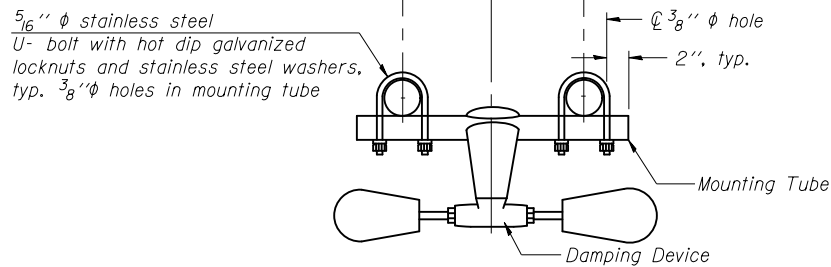
Materials: Materials: Aluminum tubes shall be ASTM B221 alloy 6061 temper T6. Cost included in Overhead Sign Structure...



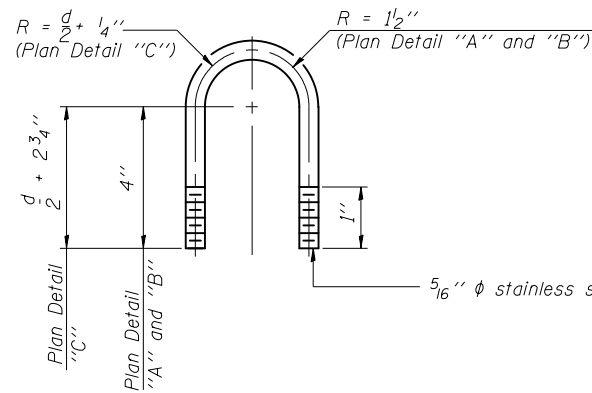
SECTION A-A

SECTION B-B

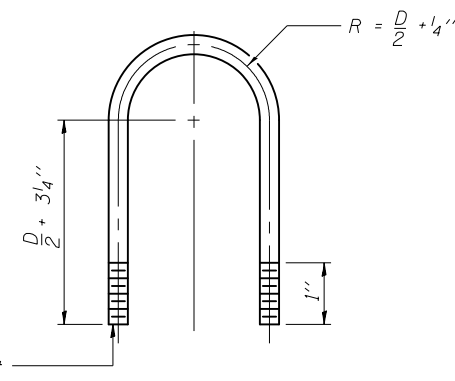
SECTION C-C



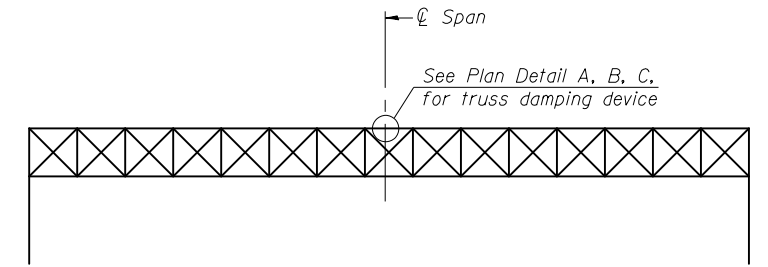
TRUSS DAMPING DEVICE CONNECTION DETAIL
 (Typical)



DAMPING DEVICE MOUNTING TUBE U-BOLT DETAIL
 (Typical)



TOP CHORD TO CROSS TUBE U-BOLT DETAIL
 (Typical - Detail "A" and "B")



ELEVATION
 Aluminum Overhead Sign Truss

OS-A-D

6-1-12

FILE NAME =	USER NAME = biggsrd	DESIGNED -	REVISED -
c:\pwwork\pwwork\biggsrd\0340463\PTZ	camera plans.dgn	DRAWN -	REVISED -
	PLOT SCALE = 40.0000' / in.	CHECKED -	REVISED -
MODELNAME	PLOT DATE = 2/7/2014	DATE -	REVISED -

STATE OF ILLINOIS
 DEPARTMENT OF TRANSPORTATION

OVERHEAD SIGN STRUCTURE
 DAMPING DEVICE

SCALE: SHEET OF SHEETS STA. TO STA.

F.A.P. RTE.	SECTION	COUNTY	TOTAL SHEETS	SHEET NO.
VAR.	FY2014 ITS-1	CHAMPAIGN	74	33
			CONTRACT NO. 70A26	
ILLINOIS FED. AID PROJECT				