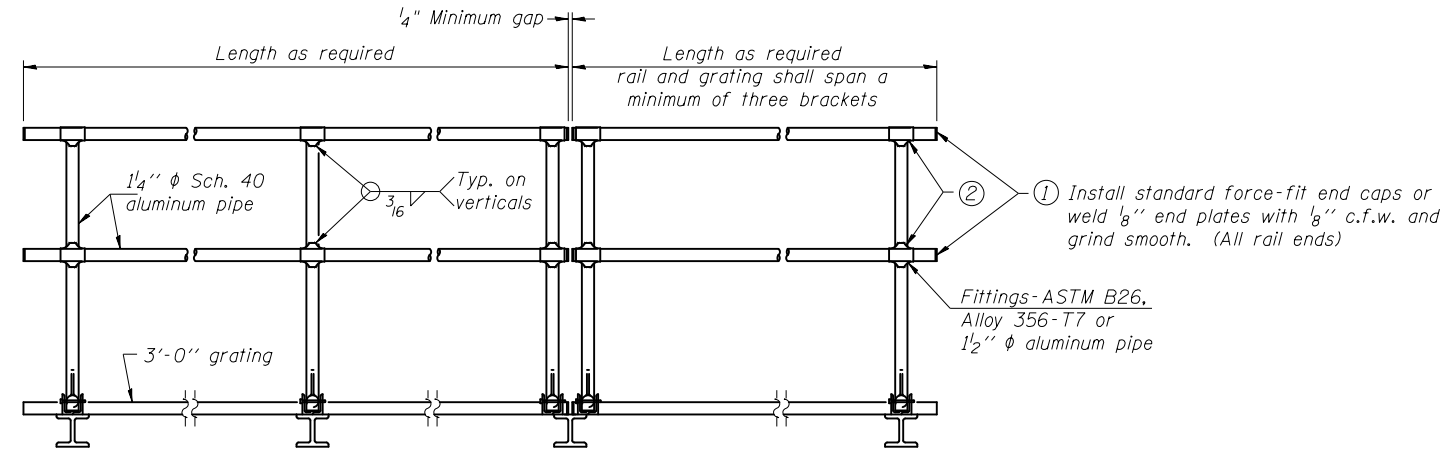
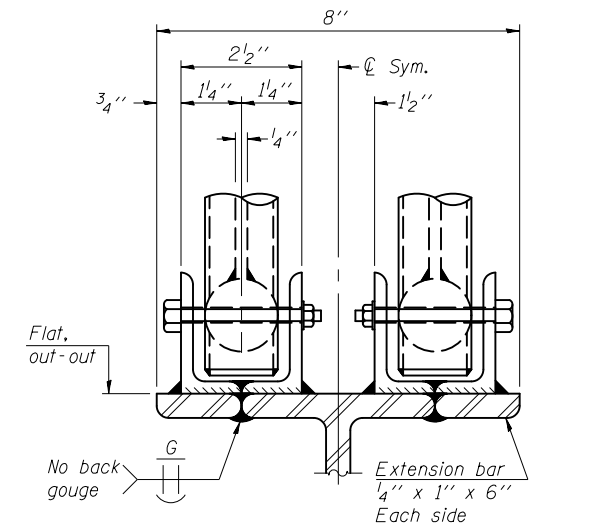


SIDE ELEVATION
(Showing safety chain w/o sign)



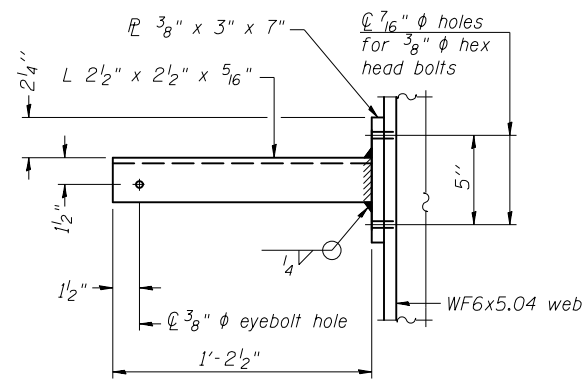
FRONT ELEVATION



ELEVATION AT HANDRAIL JOINT ④

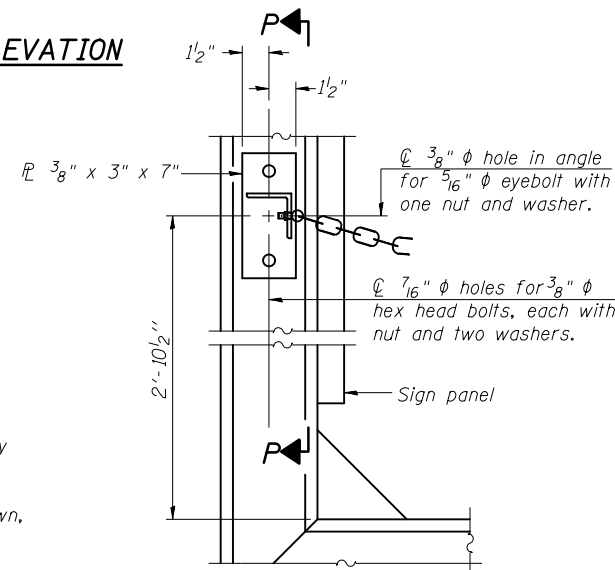
HANDRAIL DETAILS

Handrail pipe shall be ASTM B241, Alloy 6063-T6 or Alloy 6061-T6.



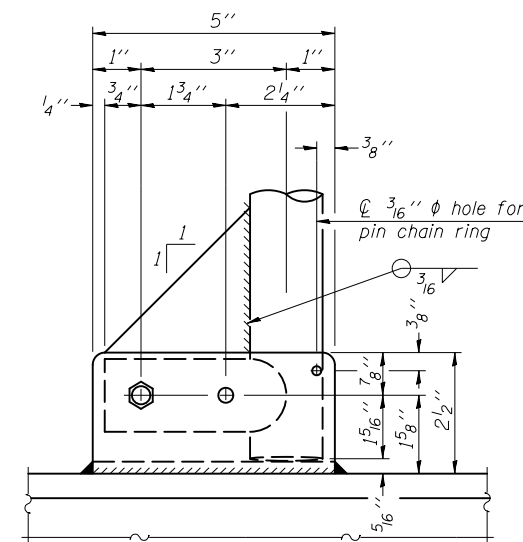
SECTION P-P

- ② Horizontal handrail member shall be continuous thru fitting. Provide 7/16" diameter hole in fitting for 3/8" diameter bolt. Field drill 7/16" diameter hole in horizontal rail member. Provide washer and locknut for bolt. (Use 5/16" diameter eyebolts in 7/16" diameter holes on top rail at ends only.)
- ③ 3/16" type 304L stainless steel chain, approximately 12 links per foot.
- ④ Extrusions may be used in lieu of the details shown, with approval of the Engineer.

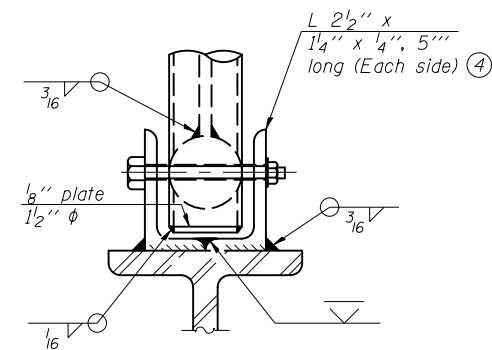


ALTERNATE SAFETY CHAIN ATTACHMENT

(With Sign Present)
Items not shown same as "Side Elevation" of "Handrail Details"

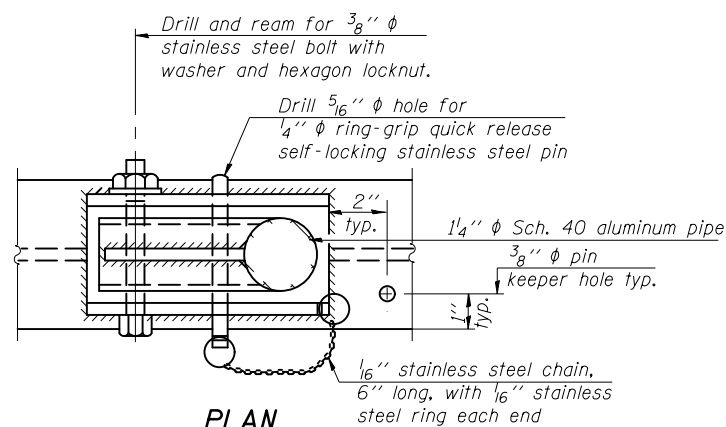


SIDE ELEVATION

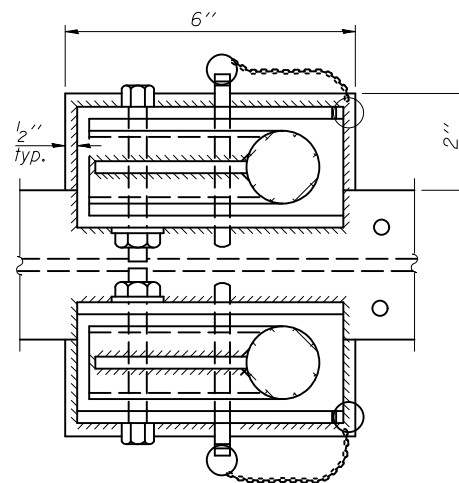


FRONT ELEVATION

See "ELEVATION" at right for dimensions.

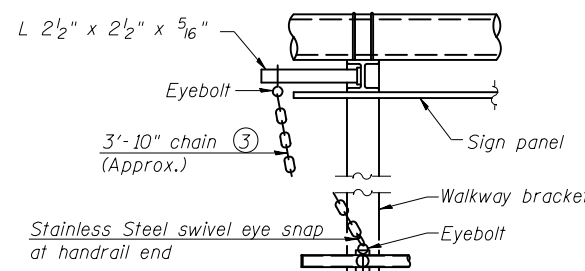


PLAN
DETAIL E HANDRAIL HINGE



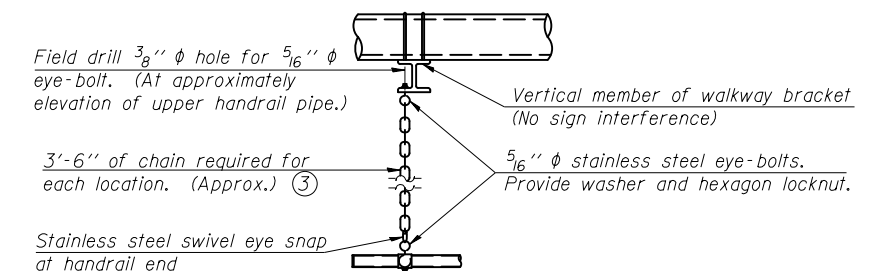
PLAN AT HANDRAIL JOINT

Details not shown same as "PLAN"



ALTERNATE SAFETY CHAIN ATTACHMENT

Details not shown similar to "Safety Chain" Details
(Walkway omitted for clarity)



SAFETY CHAIN

One required for each end of each walkway.

OS-A-11-DMS

6-1-12

FILE NAME =	USER NAME = biggsrd	DESIGNED -	REVISED -
c:\pwork\pwork\pwork\biggsrd\d0340463\PTZ	camera_plans.dgn	DRAWN -	REVISED -
	PLOT SCALE = 40.0000' / in.	CHECKED -	REVISED -
MODELNAME	PLOT DATE = 2/7/2014	DATE -	REVISED -

STATE OF ILLINOIS
DEPARTMENT OF TRANSPORTATION

OVERHEAD SIGN STRUCTURES
ALTERNATE ALUMINUM HANDRAIL DETAILS FOR DMS

SCALE: SHEET OF SHEETS STA. TO STA.

F.A.P. RTE.	SECTION	COUNTY	TOTAL SHEETS	SHEET NO.
VAR.	FY2014 ITS-1	CHAMPAIGN	74	36
CONTRACT NO. 70A26			ILLINOIS FED. AID PROJECT	