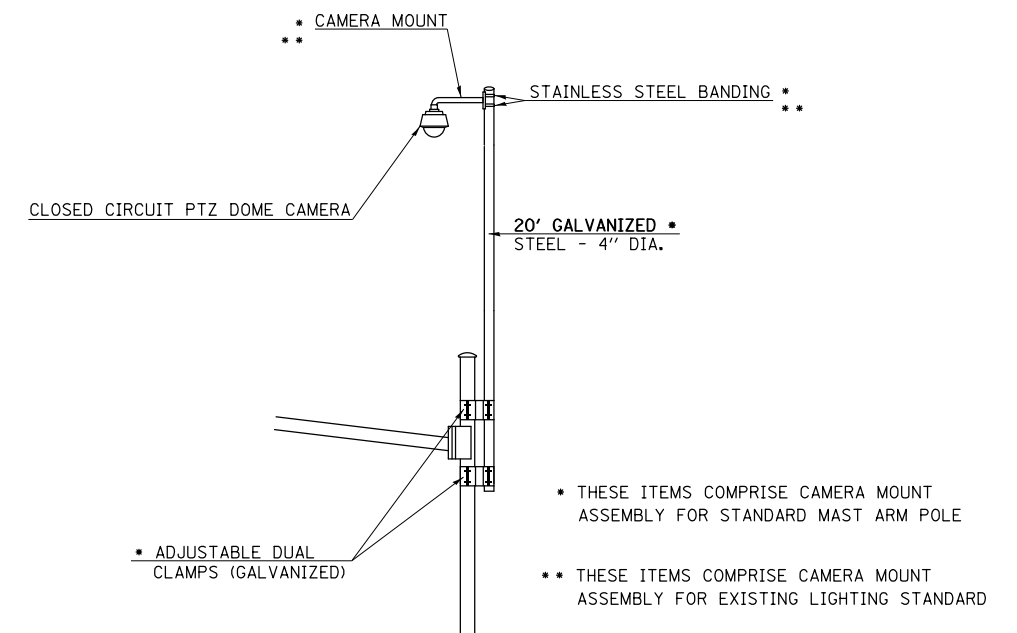
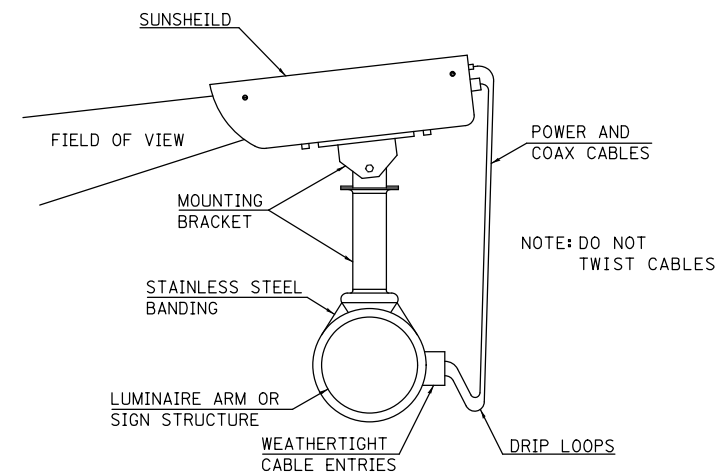


### VIDEO CAMERA MOUNTING DETAIL



### CAMERA MOUNTING ASSEMBLY DETAIL (FOR STANDARD MAST ARM POLE MOUNT & LIGHTING STANDARD)

FILE NAME =	USER NAME = biggsrd	DESIGNED -	REVISED -
ct:\pw\work\p1dot\biggsrd\d0340463\PTZ	camera plans.dgn	DRAWN -	REVISED -
	PLOT SCALE = 40.0000' / in.	CHECKED -	REVISED -
*MODELNAME*	PLOT DATE = 2/7/2014	DATE -	REVISED -

**STATE OF ILLINOIS  
DEPARTMENT OF TRANSPORTATION**

SCALE: SHEET OF SHEETS STA. TO STA.

F.A.P. RTE.	SECTION	COUNTY	TOTAL SHEETS	SHEET NO.
VAR.	FY2014 ITS-1	CHAMPAIGN	74	71
CONTRACT NO. 70A26			ILLINOIS FED. AID PROJECT	