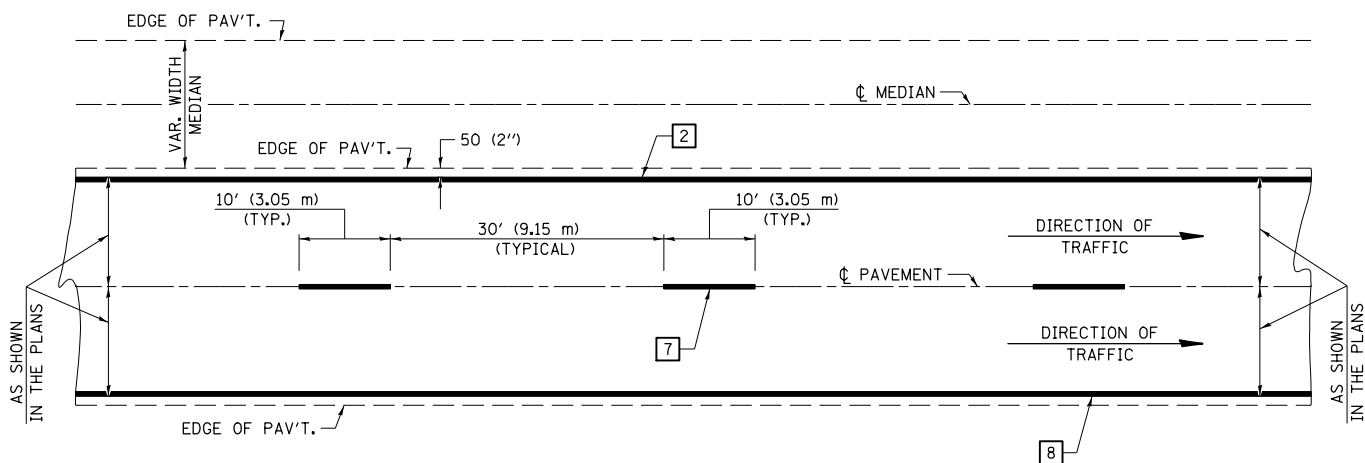


CENTERLINE INTERSTATE OR MULTI-LANE TWO WAY DIVIDED HIGHWAY

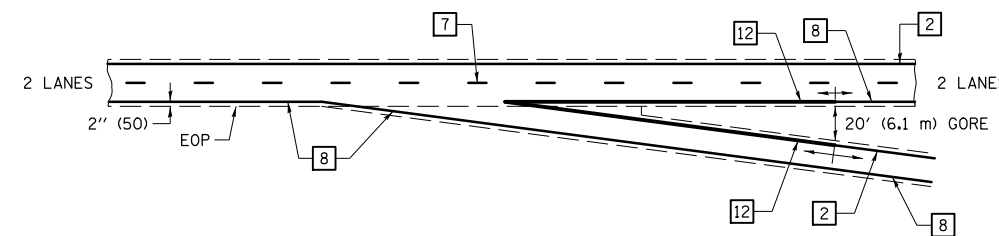


NOTE: PAVEMENT MARKINGS ARE TO BE EXTENDED THROUGH OMISSIONS WHEN APPLICABLE.

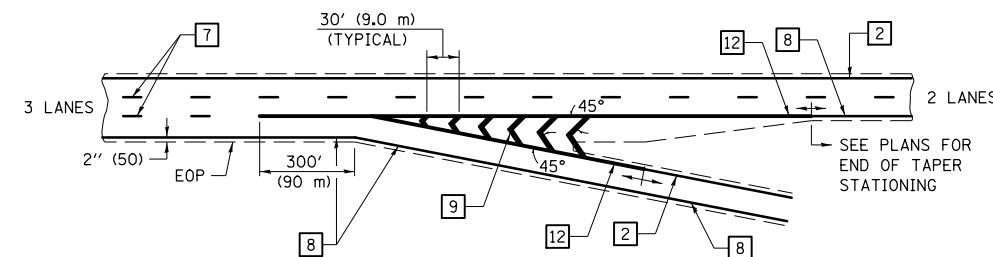
NOTE: SEE ARTICLES 780.04 & 781.03 FOR LOCATION OF STRIPES AND MARKERS RELATIVE TO EDGES OR JOINTS.

FOR RAISED REFLECTIVE PAVEMENT MARKERS, REFER TO STANDARD 781001.

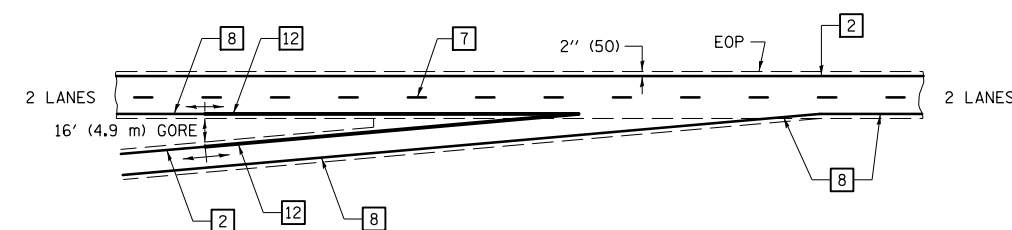
TYPICAL EXIT RAMP TERMINAL



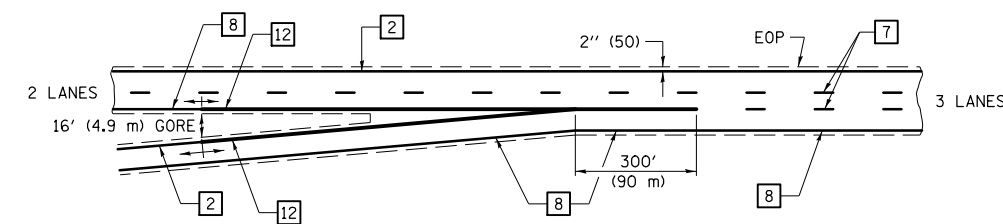
EXIT RAMP TERMINAL with EXCLUSIVE (auxiliary) LANE



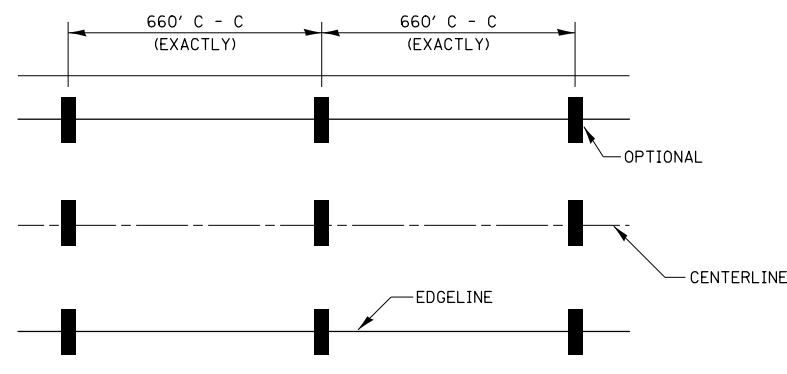
TYPICAL ENTRANCE RAMP TERMINAL



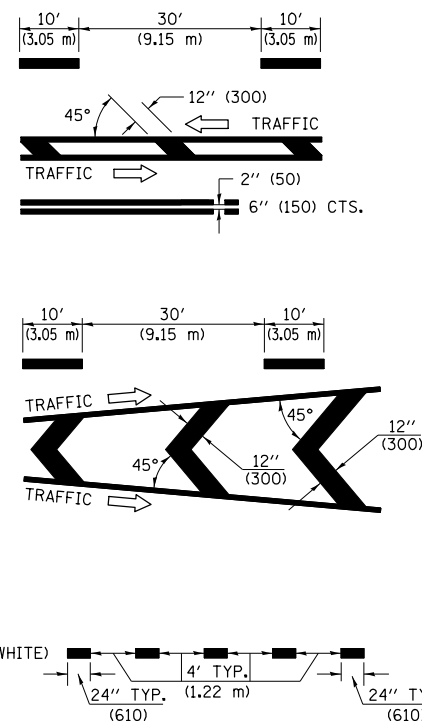
ENTRANCE RAMP TERMINAL with EXCLUSIVE LANE



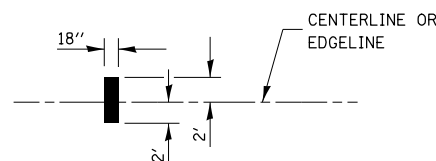
TYPICAL PAVEMENT MARKING LEGEND



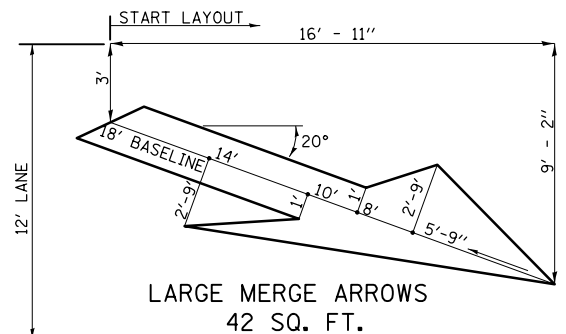
- 1 4" (100) SKIP-DASH (YELLOW)
- 2 4" (100) SOLID (YELLOW)
- 3 12" (300) DIAGONAL (YELLOW)
- 4 4" (100) DOUBLE YELLOW (NARROW)
- 5 RESERVED
- 6 RESERVED
- 7 4" (100) SKIP-DASH (WHITE)
- 8 4" (100) SOLID (WHITE)
- 9 12" (300) DIAGONAL (WHITE)
- 10 6" (150) SOLID (WHITE)
- 11 24" (600) STOP BAR (WHITE)
- 12 8" (200) SOLID (WHITE)
- 13 4" (100) LANE LINE EXTENSIONS (WHITE)



IT WILL BE NECESSARY TO HAVE A REPRESENTATIVE OF THE STATE POLICE PRESENT SO THAT THE ACCURACY OF MEASUREMENT CAN BE ATTESTED TO IN COURT.



AERIAL SPEED CHECK ZONES



Note: All dimensions are in INCHES (millimeters) unless otherwise shown.

FILE NAME =	USER NAME = ceerlockjd	DESIGNED -	REVISED - 11/06
ei:\pwwork\pwwid\ceerlockjd\0381332\0570A32-sht-details.dgn		DRAWN -	REVISED -
		CHECKED -	REVISED -
		DATE -	REVISED -

STATE OF ILLINOIS  
DEPARTMENT OF TRANSPORTATION

PAVEMENT MARKING (INTERSTATE & MULTI-LANE APPLICATIONS)

SCALE: SHEET NO. OF SHEETS STA. TO STA.

DISTRICT 5 DETAIL NO. 7800BBBB

F.A. RTE.	SECTION	COUNTY	TOTAL SHEETS	SHEET NO.
		VARIOUS	41	41
•D5 CRACK & JOINT SEAL 2014-1			CONTRACT NO. 70A32	
FED. ROAD DIST. NO. ILLINOIS FED. AID PROJECT				