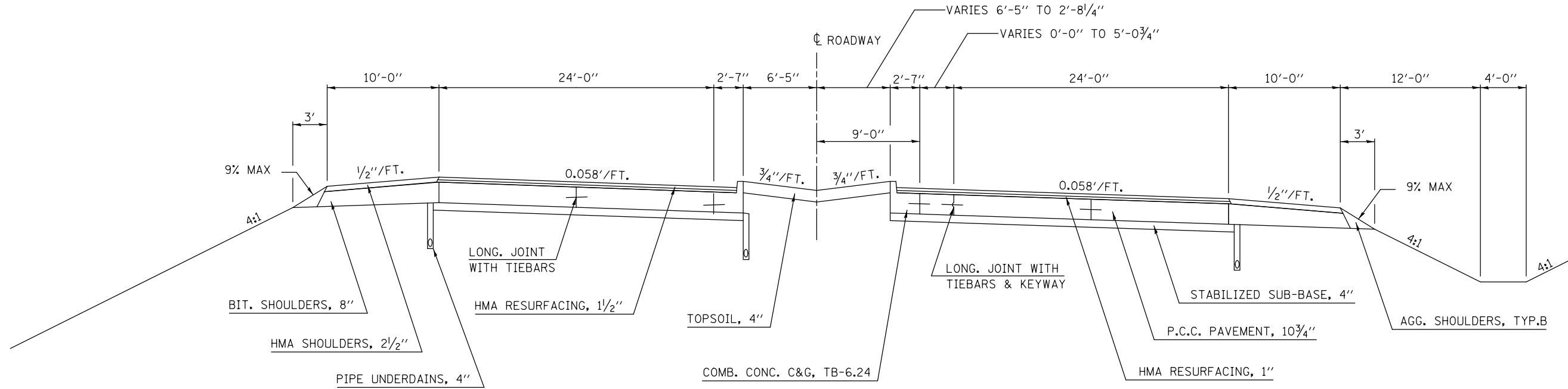


\*\*SEE GENERAL NOTE 451 (SPECIAL) FOR SPECIFIC ROUT & SEAL INSTRUCTIONS AT THIS LOCATION.

### 11 LOCATION 4 (US 150) EXISTING TYPICAL CROSS SECTION

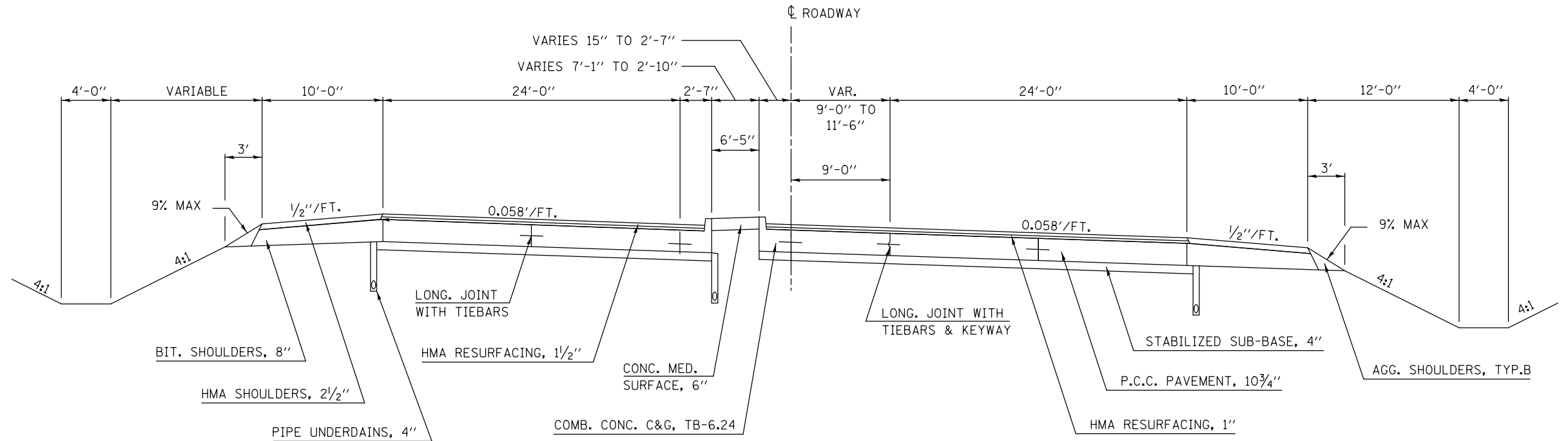
STATION 10 167+63.00 TO STATION 12 168+37.67



\*\*SEE GENERAL NOTE 451 (SPECIAL) FOR SPECIFIC ROUT & SEAL INSTRUCTIONS AT THIS LOCATION.

### 12 LOCATION 4 (US 150) EXISTING TYPICAL CROSS SECTION

STATION 11 168+37.67 TO STATION 13 169+93.00



FILE NAME =	USER NAME = ceerlockjd	DESIGNED -	REVISED -
ei:\pwork\pwork\ceerlockjd\0380704\0570A33-sht-Typicals.dgn		DRAWN -	REVISED -
		CHECKED -	REVISED -
		DATE -	REVISED -

STATE OF ILLINOIS  
DEPARTMENT OF TRANSPORTATION

EXISTING TYPICAL CROSS SECTIONS LOCATION #4 (US 150)			
SCALE:	SHEET 6 OF 13 SHEETS	STA.	TO STA.

**MCLEAN & PIATT COUNTIES			
F.A. RTE.	SECTION	COUNTY	TOTAL SHEETS
VAR.	.	**	38
*D5 CRACK & JOINT SEAL 2014-2			SHEET NO. 23
ILLINOIS FED. AID PROJECT			CONTRACT NO. 70A33