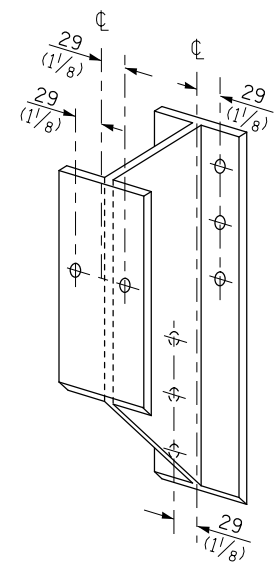
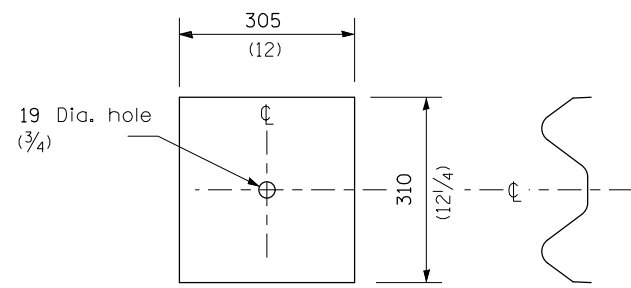


STEEL POST CONSTRUCTION



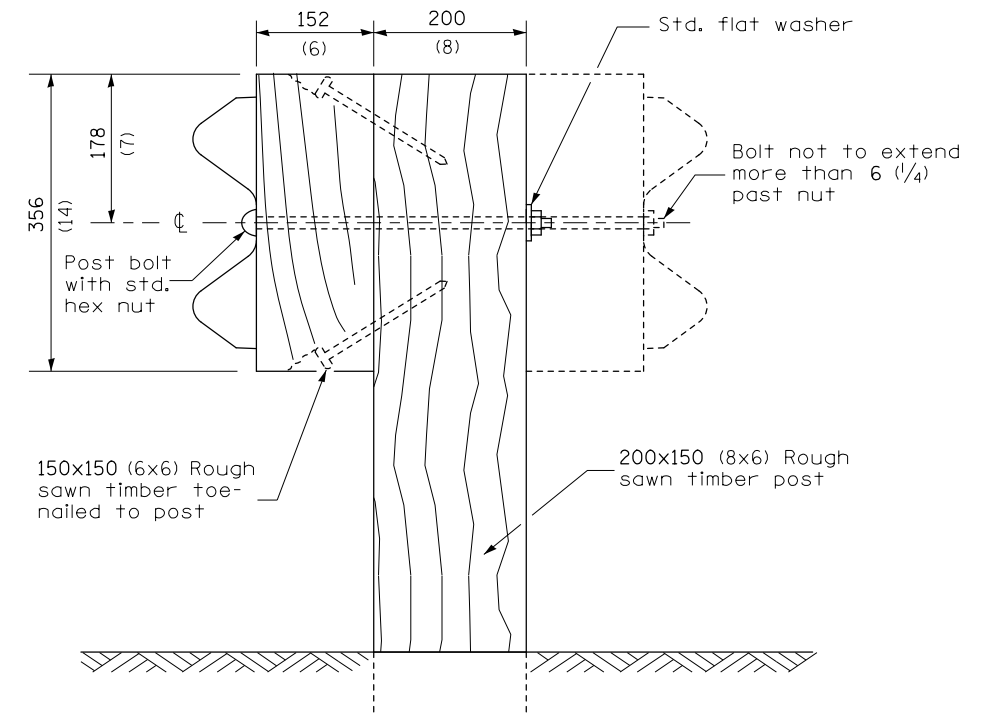
STEEL BLOCK-OUT DETAIL



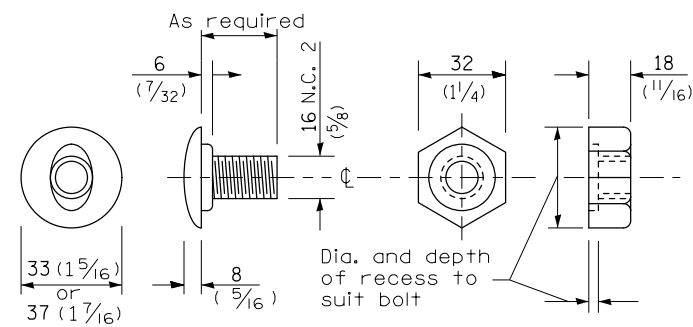
NOTE

Plate A shall be placed between rail element and block-out at non-splice mounting points only when steel block-outs are used.

PLATE A



WOOD POST CONSTRUCTION



POST OR SPLICE BOLT & NUT

**STEEL PLATE BEAM
GUARDRAIL**

(Sheet 2 of 4)

STANDARD 630001-06

FILE NAME =	USER NAME = ceerlockjd	DESIGNED -	REVISED -
c:\pwork\pwork\ceerlockjd\0377705\0570A59-sht-Details.dgn		DRAWN -	REVISED -
	PLOT SCALE = 40.0000' / in.	CHECKED -	REVISED -
\$MODELNAME\$	PLOT DATE = 1/30/2014	DATE -	REVISED -

**STATE OF ILLINOIS
DEPARTMENT OF TRANSPORTATION**

DETAIL OF 27 1/2" STEEL PLATE BEAM GUARDRAIL

SCALE: SHEET 2 OF 4 SHEETS STA. TO STA.

F.A. RTE.	SECTION	COUNTY	TOTAL SHEETS	SHEET NO.
VAR.	•	VARIOUS	10	8
			CONTRACT NO. 70A59	
ILLINOIS FED. AID PROJECT				

• D5 GUARDRAIL & FENCE REPAIR 2015