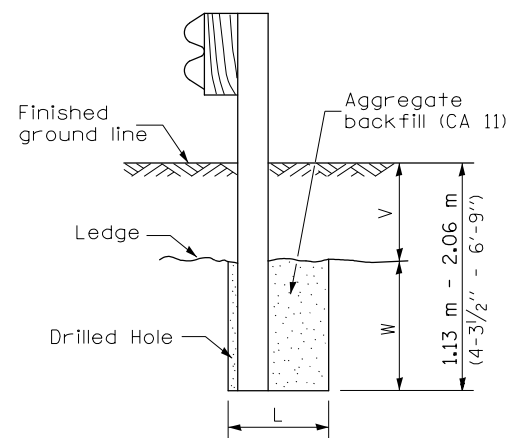
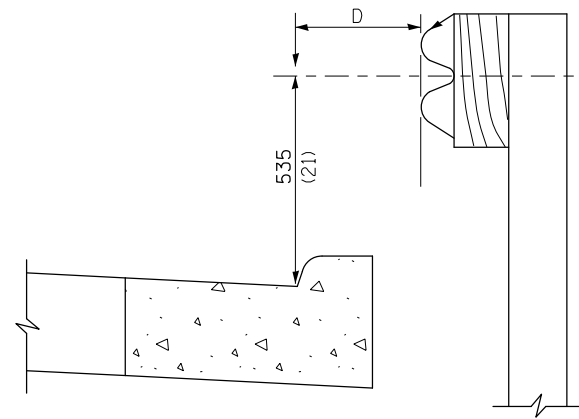


PLAN



ELEVATION

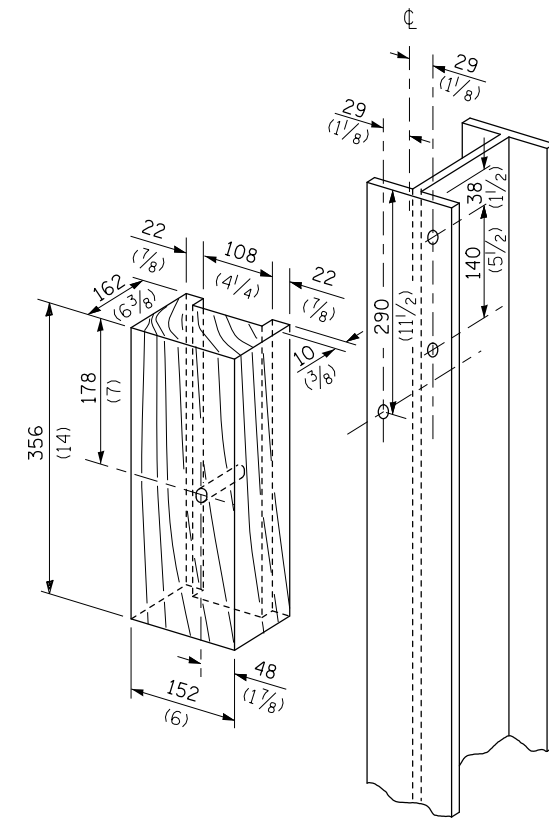
FOOTING FOR POST WHEN IMPERVIOUS MATERIAL IS ENCOUNTERED



Note:
If it is necessary for D to be more than 300 (12) and less than 3.0 m (10'-0") type M-5 (M-2) curb and gutter (Std. 606001) shall be used in front of and in advance of the guardrail.

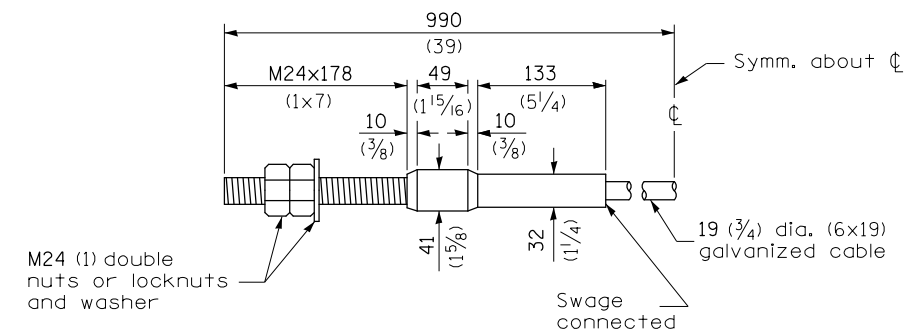
GUARDRAIL PLACED BEHIND CURB

(D = 0 desirable to 300 (12) maximum)



WOOD BLOCK-OUT AND STEEL POST DETAILS

V	W	L	
		Steel Post	Wood Post
0 - 460 (0 - 18)	610 (24)	530 (21)	580 (23)
>460 - 825 (>18 - 41.5)	305 (12)	203 (8)	250 (10)
>825 - 1.13 m (>41.5 - 53.5)	305 - 0 (12 - 0)	203 (8)	250 (10)



CABLE ASSEMBLY

(18,100 kg (40,000 lbs.) min. breaking strength)
Tighten to taut tension.

STEEL PLATE BEAM GUARDRAIL

(Sheet 4 of 4)

STANDARD 630001-06

FILE NAME =	USER NAME = ceerlockjd	DESIGNED -	REVISED -
ei:\pw\work\p\idot\ceerlockjd\0377705\0570059-sht-Details.dgn		DRAWN -	REVISED -
	PLOT SCALE = 40.0000' / in.	CHECKED -	REVISED -
\$MODELNAME\$	PLOT DATE = 1/30/2014	DATE -	REVISED -

**STATE OF ILLINOIS
DEPARTMENT OF TRANSPORTATION**

DETAIL OF 27 1/2" STEEL PLATE BEAM GUARDRAIL

SCALE: SHEET 4 OF 4 SHEETS STA. TO STA.

F.A. RTÉ.	SECTION	COUNTY	TOTAL SHEETS	SHEET NO.
VAR.	•	VARIOUS	10	10
			CONTRACT NO. 70A59	
ILLINOIS FED. AID PROJECT				

• D5 GUARDRAIL & FENCE REPAIR 2015