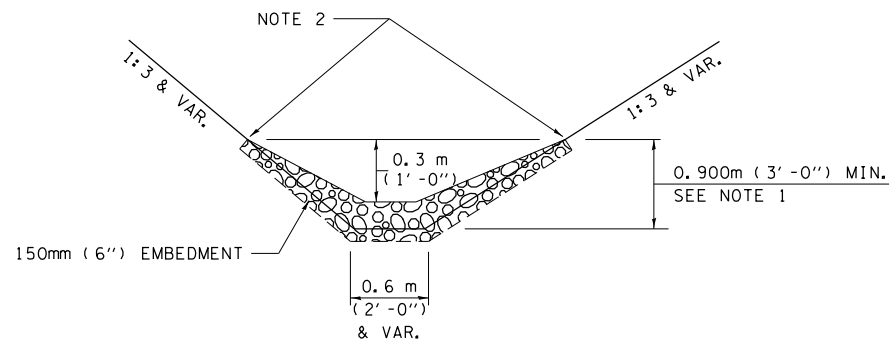


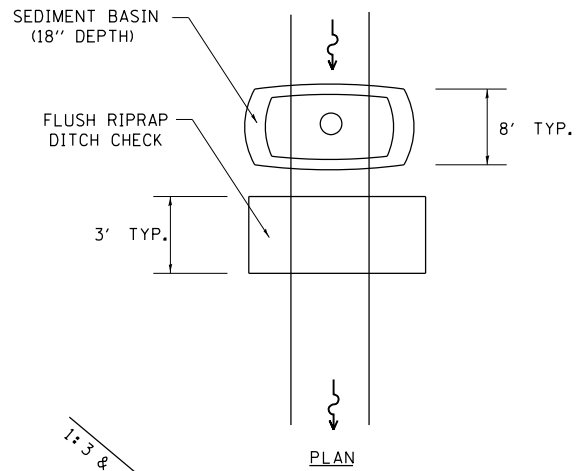
PLAN



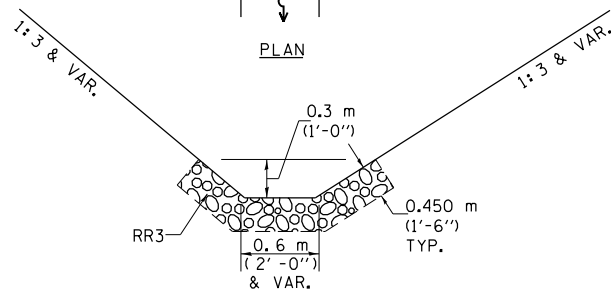
ELEVATION

OPTION 1

(EXTRUDING DITCH CHECK)  
RECOMMENDED FOR AREAS  
W/ RIPRAP DITCH LINING



PLAN



ELEVATION

OPTION 2

(FLUSH DITCH CHECK)  
RECOMMENDED FOR AREAS  
W/O RIPRAP DITCH LINING

**STONE DUMPED RIPRAP DITCH CHECK**

OPTIONS 1 & 2 OR  
AS DIRECTED BY THE ENGINEER

NOTE 1: RIPRAP SHALL EXTEND FAR ENOUGH UP THE SLOPES TO ALLOW 0.3m (1') OVERTOPPING TO AVOID ERODING AROUND THE EDGES OF THE RIPRAP.

NOTE 2: ENDS SHALL BE TIED INTO SLOPES.

LEGEND FOR STORM WATER POLLUTION PREVENTION PLAN	
ITEM	SYMBOL
AGGREGATE DITCH CHECKS	
INLET PIPE PROTECTION	
PERIMETER EROSION BARRIER	
<b>SEDIMENT BASINS</b>	
EARTH EXCAVATION FOR EROSION CONTROL AGGREGATE (EROSION CONTROL)	
PRESERVE EXISTING TREES, WOODLANDS, AND UNDERSTORY (OUTSIDE CONSTRUCTION LIMITS)	
ITEM PLACED AT BEGINNING OF CONSTRUCTION (Requirement)	*  *
ITEM PLACED AS DIRECTED BY ENGINEER (When required by situation)	
DIRECTION OF OVERLAND FLOW	

GENERAL NOTES:  
All items shall be constructed as shown on this sheet, on Standard 280001, and as directed by the Engineer.

FILE NAME =	USER NAME = sparksgw	DESIGNED -	REVISED - AUG 2007 (JCN)
ct:\pw\work\p\idot\sparksgw\0216203\0652304-sht-SWPPP.dgn		DRAWN - CADD	REVISED - OCT 2010 (JCN)
SWPPLAN.DGN		CHECKED - JCN	REVISED - MAY 2012 (JPM)
	PLOT DATE = Feb-04-2014 01:41:36PM	DATE - APRIL 5, 1999	REVISED -

STATE OF ILLINOIS  
DEPARTMENT OF TRANSPORTATION

**STORM WATER POLLUTION  
PREVENTION PLAN**

SCALE: SHEET OF SHEETS STA. TO STA.

F.A.U. RTE.	SECTION	COUNTY	TOTAL SHEETS	SHEET NO.
8012	.	SANGAMON	679	264
ILLINOIS FED. AID PROJECT			CONTRACT NO. 72890	