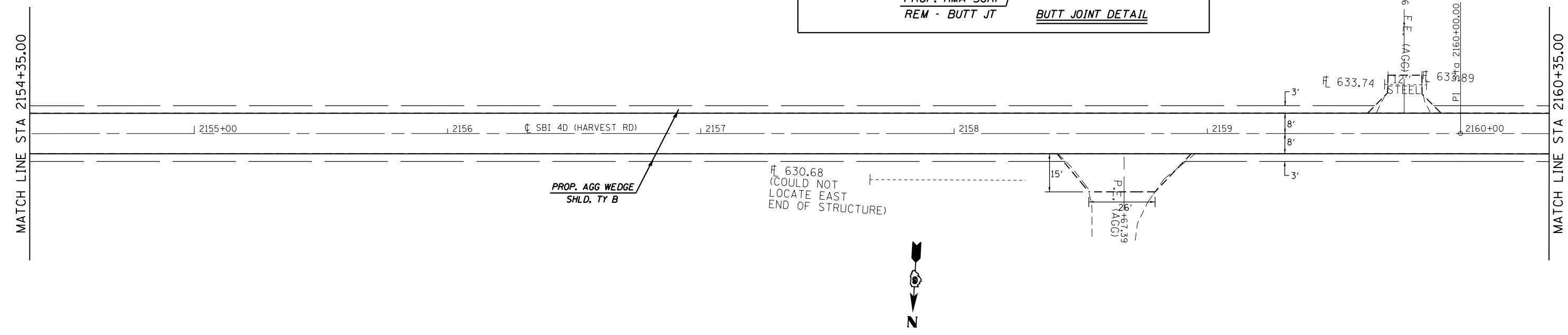
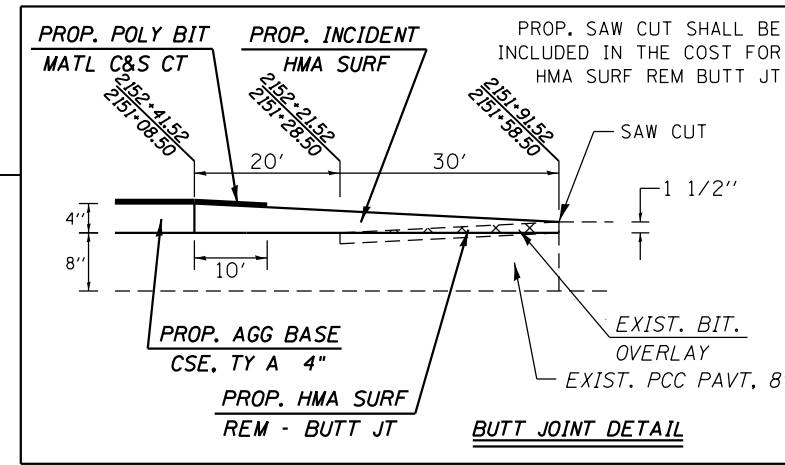
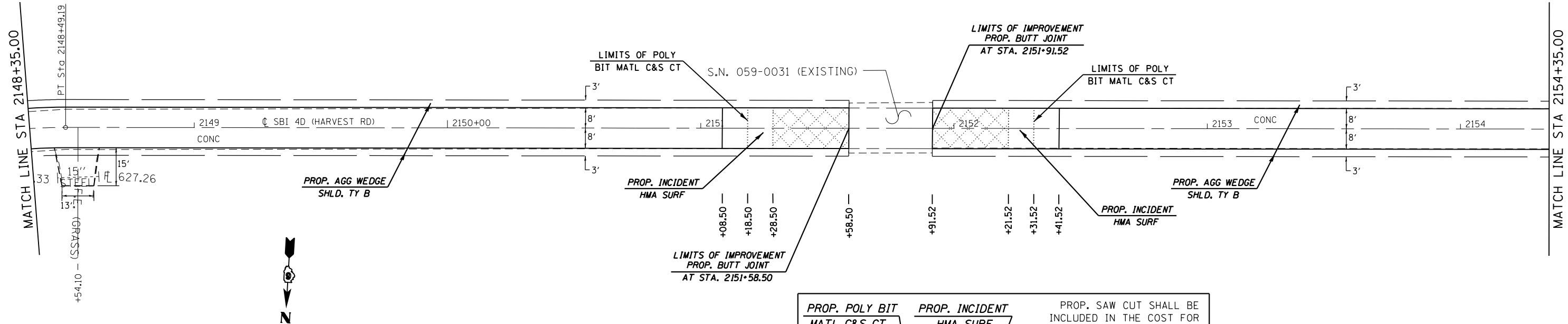


BRIDGE OMISSION
STA. 2151+58.50 TO 2151+91.52



FILE NAME =	USER NAME = sparksgw	DESIGNED -	REVISED -	STATE OF ILLINOIS DEPARTMENT OF TRANSPORTATION	PLAN SHEETS	S.B.I. RTE.	SECTION	COUNTY	TOTAL SHEETS	SHEET NO.	
ci:\pwwork\pwwork\sparksgw\0366942\0670665-sht-plan203.dgn	PLOT SCALE = 40.0000' / in.	DRAWN -	REVISED -			4D	D6 DE MISC 2014-1	MACOUPIN	18	14	
Default	PLOT DATE = Feb-19-2014 02:38:09PM	CHECKED -	REVISED -			CONTRACT NO. 72G65					
		DATE -	REVISED -			SCALE:	SHEET 4 OF 6 SHEETS	STA. 2148+35.00 TO STA. 2160+35.00	ILLINOIS FED. AID PROJECT		