

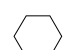
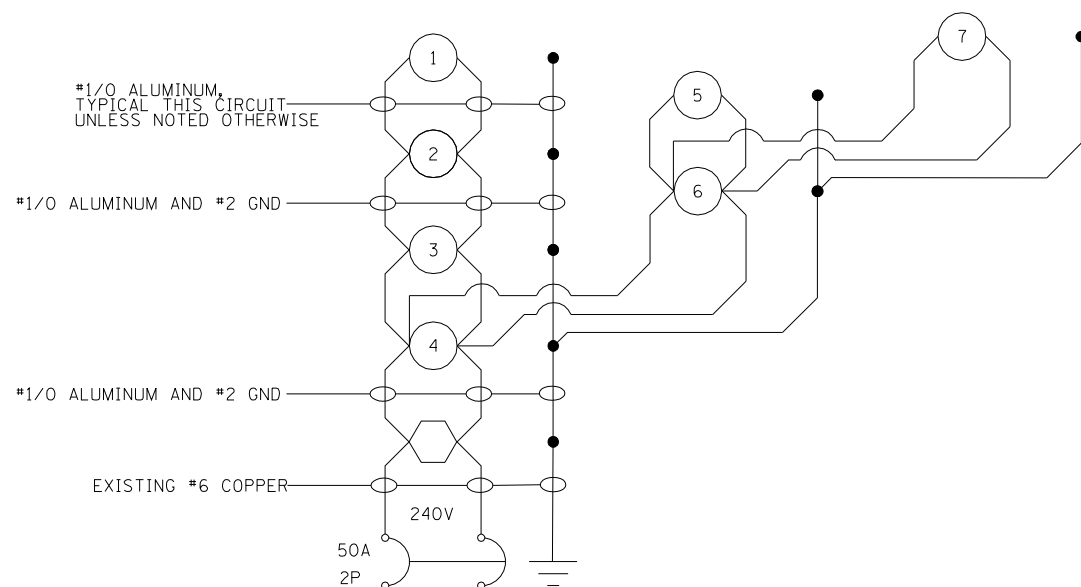


**NOTES:**

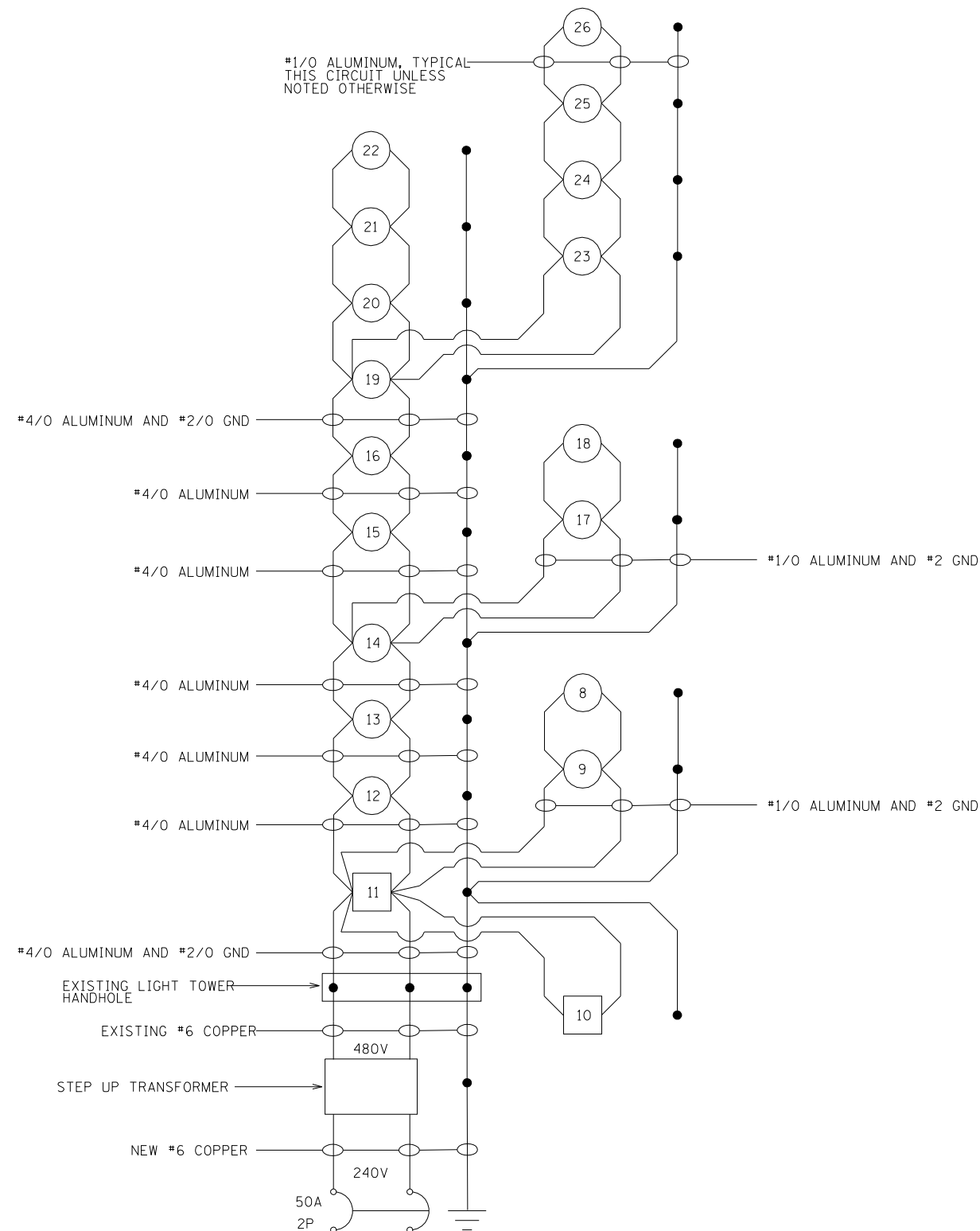
1. ALL NECESSARY REVISIONS TO THE WIRING SHOWN ON THIS SHEET SHALL BE MADE AT NO ADDITIONAL COST TO THE DEPARTMENT AND TO THE SATISFACTION OF THE ENGINEER.

**LEGEND**

-  TEMPORARY 400W ROADWAY LUMINAIRE
-  TEMPORARY 250W ROADWAY LUMINAIRE
-  EXISTING LIGHT TOWER



**WEST MEDIAN CROSSOVER  
EASTBOUND I-70  
EXISTING LIGHTING CONTROLLER**



**WEST MEDIAN CROSSOVER EASTBOUND I-70 AND  
EAST MEDIAN CROSSOVERS  
EXISTING LIGHTING CONTROLLER**

PRINT DRIVER = L:\00-ESB\014  
 ESCA PROJECT NO. 1000.05  
 PLOT SCALE = 0.25" = 1' / IN.  
 PLOT DATE = 1/29/2014 1:59:46 PM

USER NAME = has	DESIGNED - MES	REVISED -
ESCA PROJECT NO. 1000.05	DRAWN - HAS	REVISED -
PLOT SCALE = 0.25" = 1' / IN.	CHECKED - MES	REVISED -
PLOT DATE = 1/29/2014 1:59:46 PM	DATE - 11/13	REVISED -

**STATE OF ILLINOIS  
DEPARTMENT OF TRANSPORTATION**

**TEMPORARY LIGHTING DETAILS**

SCALE: SHEET NO. 4 OF 4 SHEETS STA. TO STA.

F.A.I. RTE.	SECTION	COUNTY	TOTAL SHEETS	SHEET NO.
70	(26-3B-1, 3B-1(3))BR	FAYETTE	277	75
FED. ROAD DIST. NO. ILLINOIS FED. AID PROJECT			CONTRACT NO. 74175	