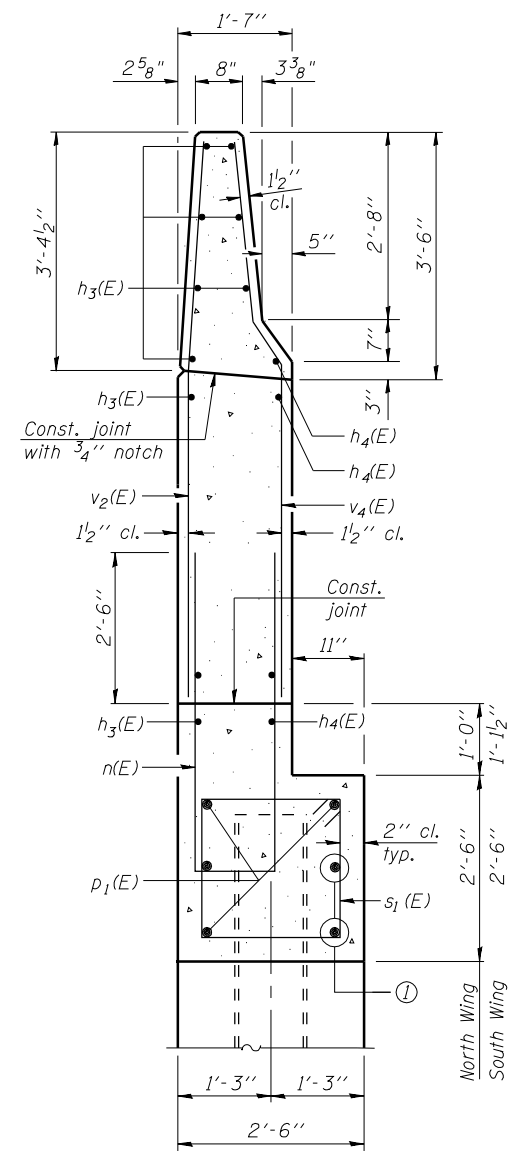
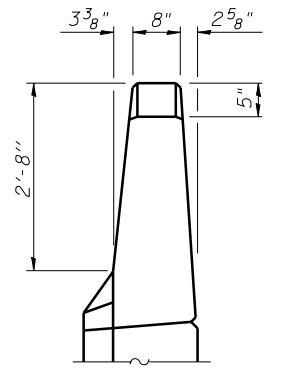


WING WALL ELEVATION
Showing Dimensions



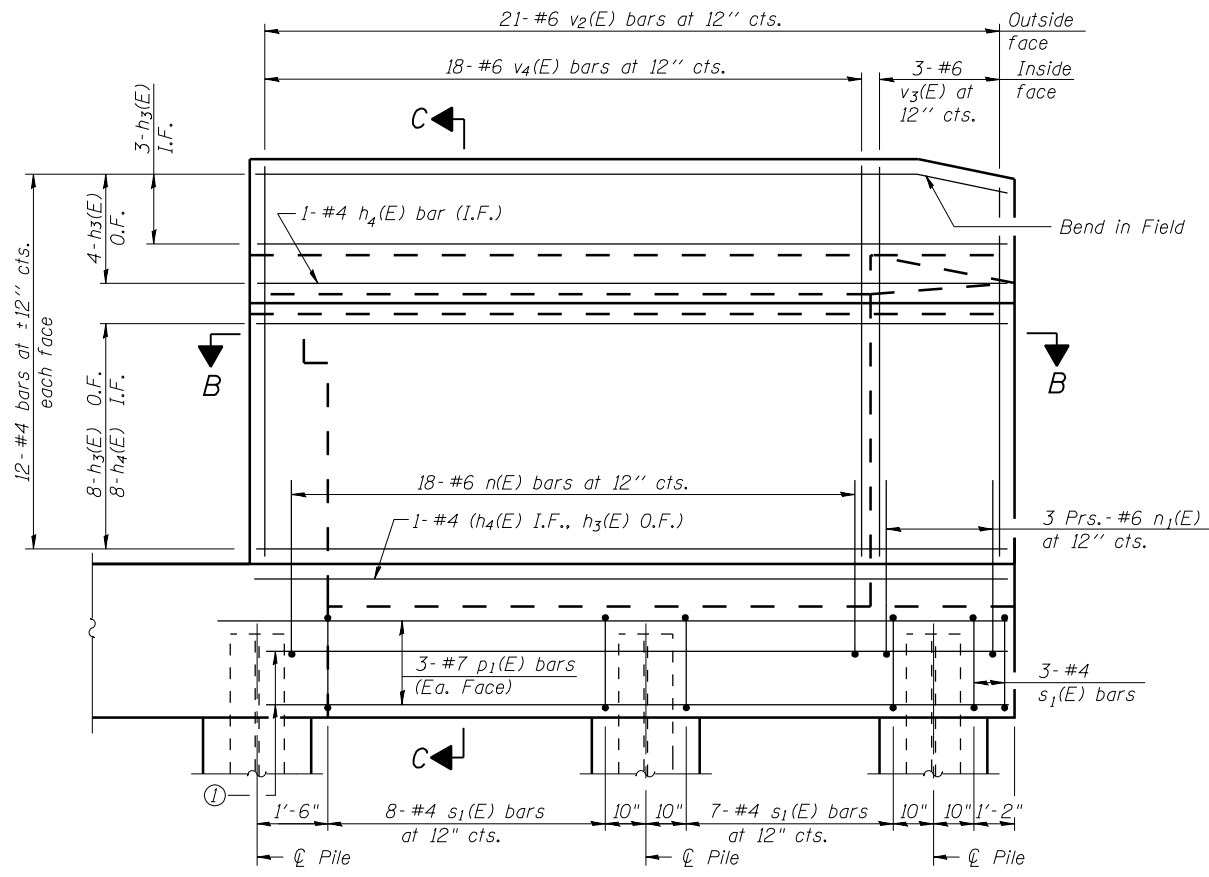
SECTION C-C



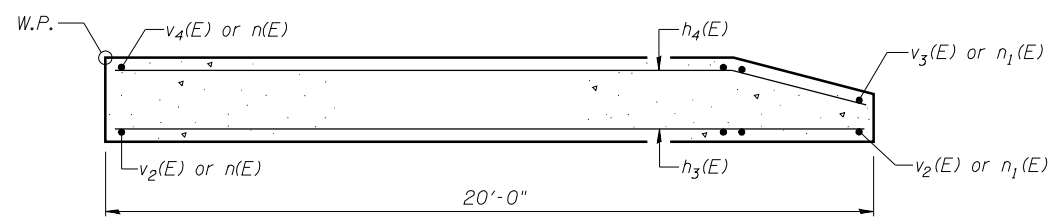
VIEW A-A

Notes:
 Hatched area to be poured after superstructure false work has been removed and modular joint is fixed in position. Quantity of concrete included with Concrete Superstructure.
 Space reinforcement in cap to miss anchor bolts.
 Pour steps monolithically with cap.
 Quantity of concrete in end post included with Concrete Superstructure on sheet 30 of 113.
 For Concrete Encasement details, see sheet 106 of 113.

① Field cut 2-p₁(E) bars to clear pile at abut. backwall. See Wing Wall Elevation and Section C-C.



WING WALL ELEVATION
Showing Reinforcement



SECTION B-B



USER NAME = hos	DESIGNED - RDP	10/13	REVISED -
ESCA PROJECT NO. 1070.09	CHECKED - ELH	10/13	REVISED -
	DRAWN - DWH	10/13	REVISED -
PLOT DATE = 1/28/2014 2:12:02 PM	CHECKED - RDP	10/13	REVISED -

STATE OF ILLINOIS
DEPARTMENT OF TRANSPORTATION

EAST ABUTMENT - WB
STRUCTURE NO. 026-0106

SHEET NO. 78 OF 113 SHEETS

F.A.I. RTE.	SECTION	COUNTY	TOTAL SHEETS	SHEET NO.
70	(26-3B-1, 3B-1(3))BR	FAYETTE	277	158
CONTRACT NO. 74175				

ILLINOIS FED. AID PROJECT