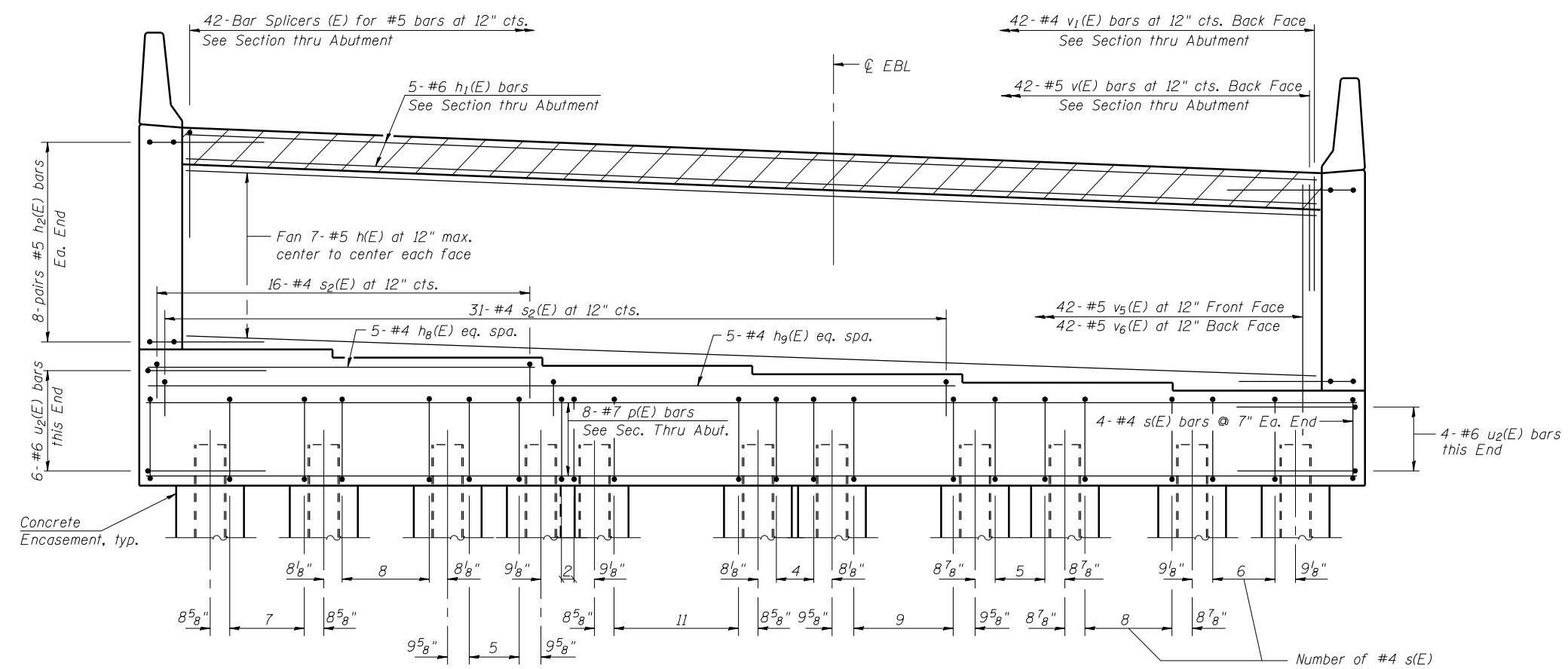


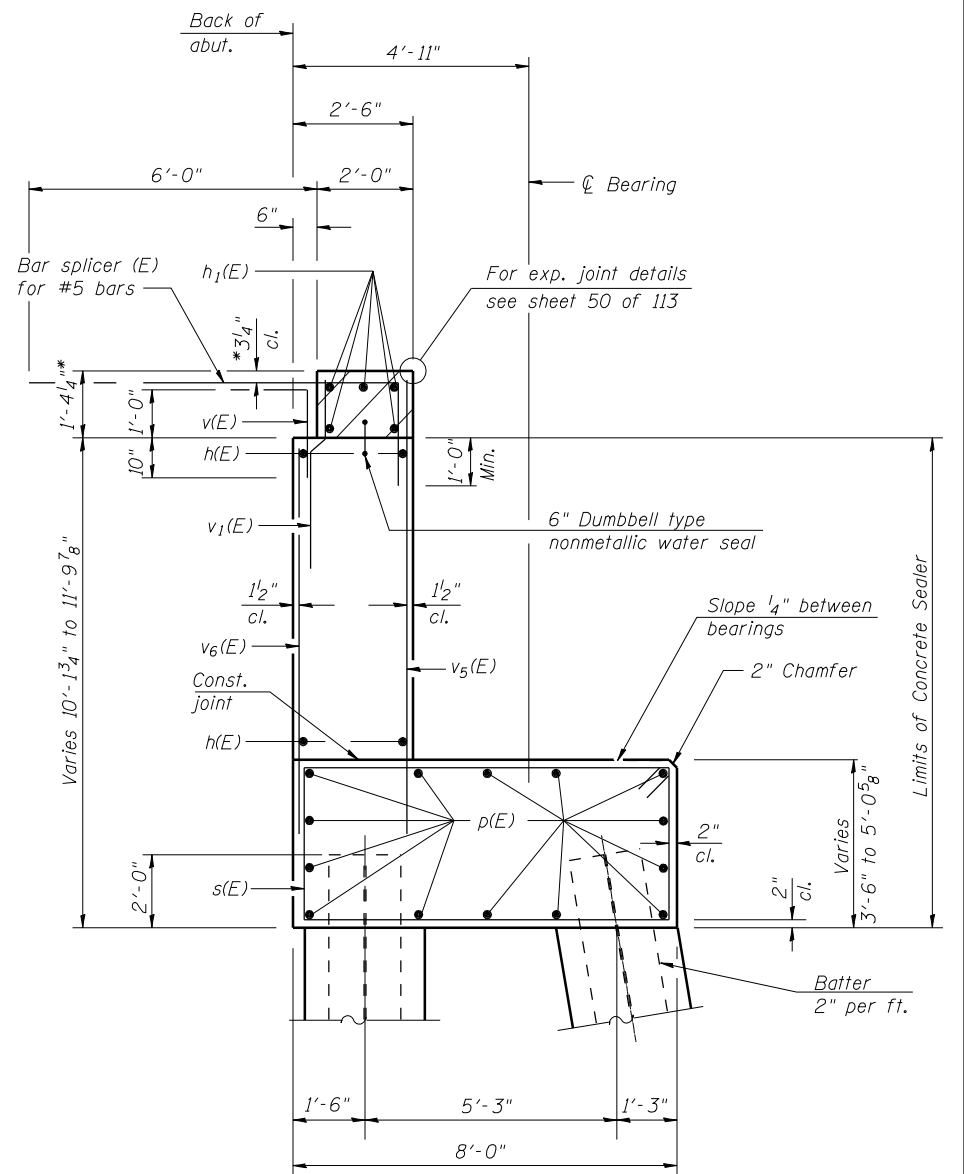
ELEVATION
Showing Dimensions

*Prior to grinding



ELEVATION
Showing Reinforcement

Number of #4 s(E) bars at 5 1/2" cts. between piles, typ.



SECTION THRU ABUTMENT
(Horizontal dim. at right angles)



USER NAME = has	DESIGNED - RDP	10/13	REVISED -
ESCA PROJECT NO. 1070.09	CHECKED - ELH	10/13	REVISED -
	DRAWN - DWH	10/13	REVISED -
PLOT DATE = 1/28/2014 2:13:49 PM	CHECKED - RDP	10/13	REVISED -

STATE OF ILLINOIS
DEPARTMENT OF TRANSPORTATION

WEST ABUTMENT - EB
STRUCTURE NO. 026-0107

SHEET NO. 80 OF 113 SHEETS

F.A.I. RTE.	SECTION	COUNTY	TOTAL SHEETS	SHEET NO.
70	(26-3B-1, 3B-1(3))BR	FAYETTE	277	160
CONTRACT NO. 74175				

ILLINOIS FED. AID PROJECT