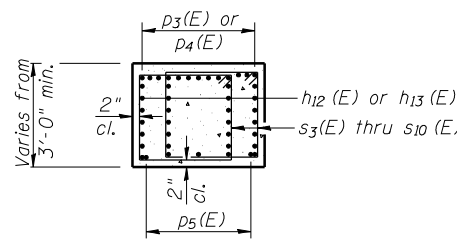
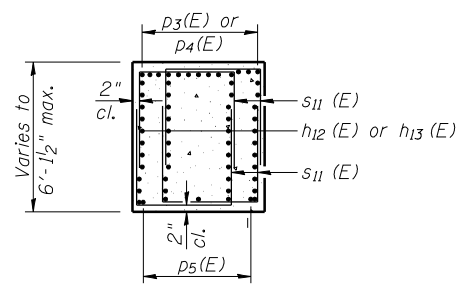


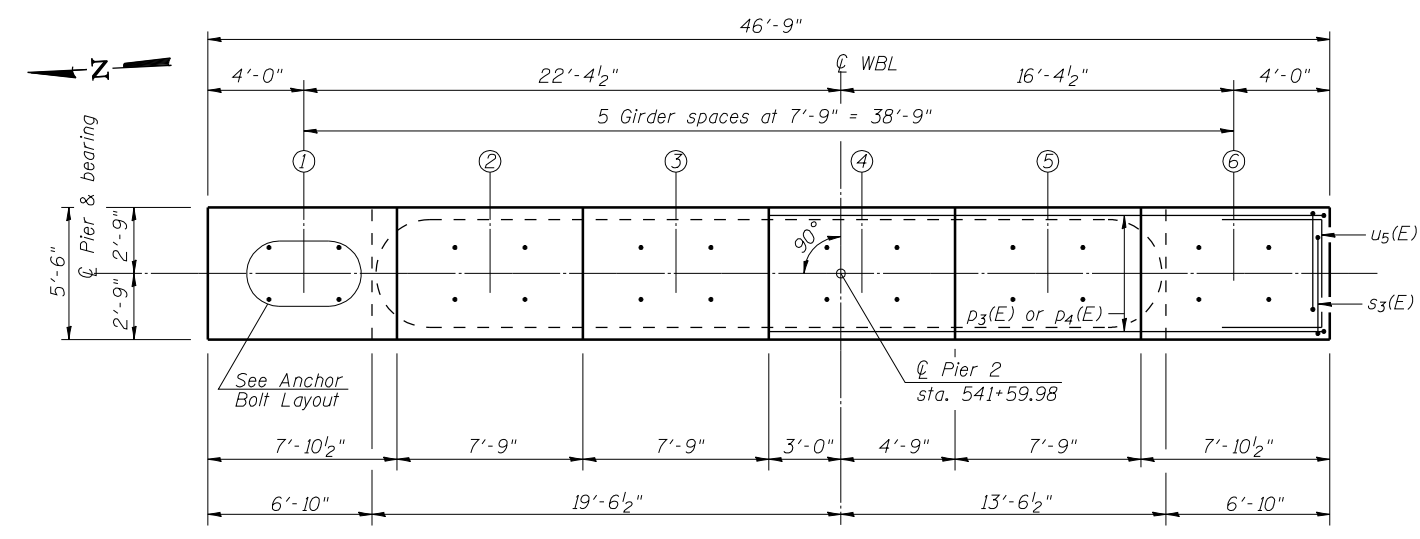
Notes:
 Space reinforcement in cap to miss anchor bolts.
 Pour steps monolithically with cap.
 For details of piles, see sheet 106 of 113.



SECTION A-A

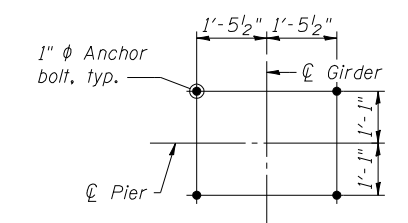


SECTION B-B

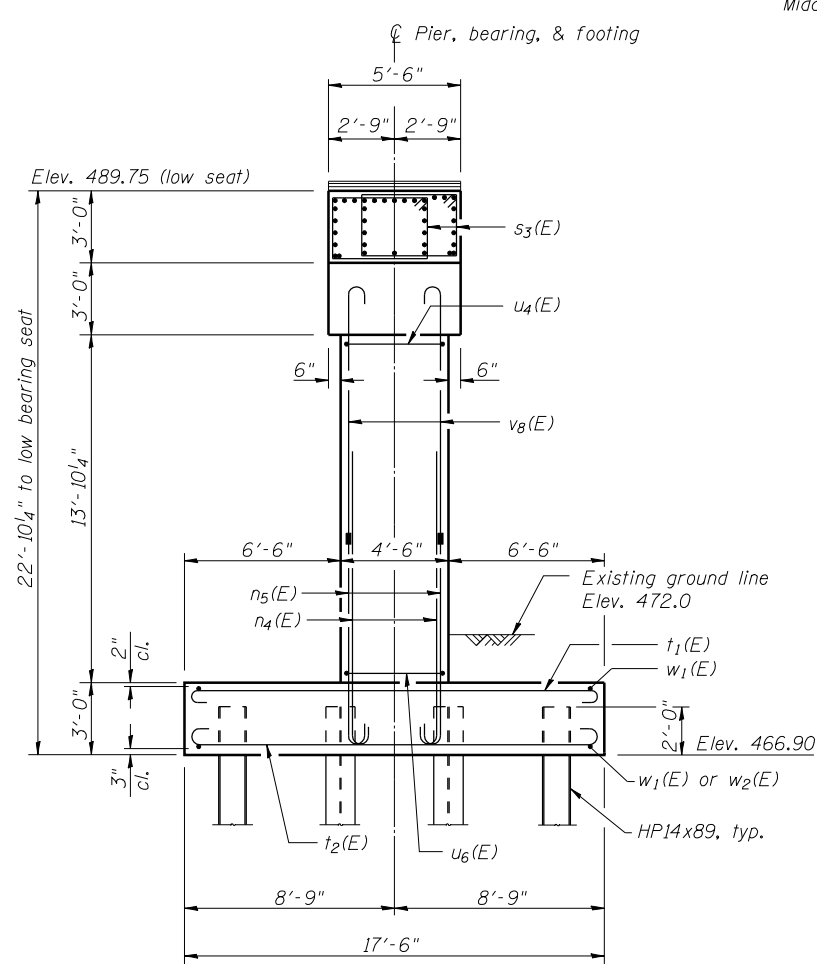


TOP PLAN

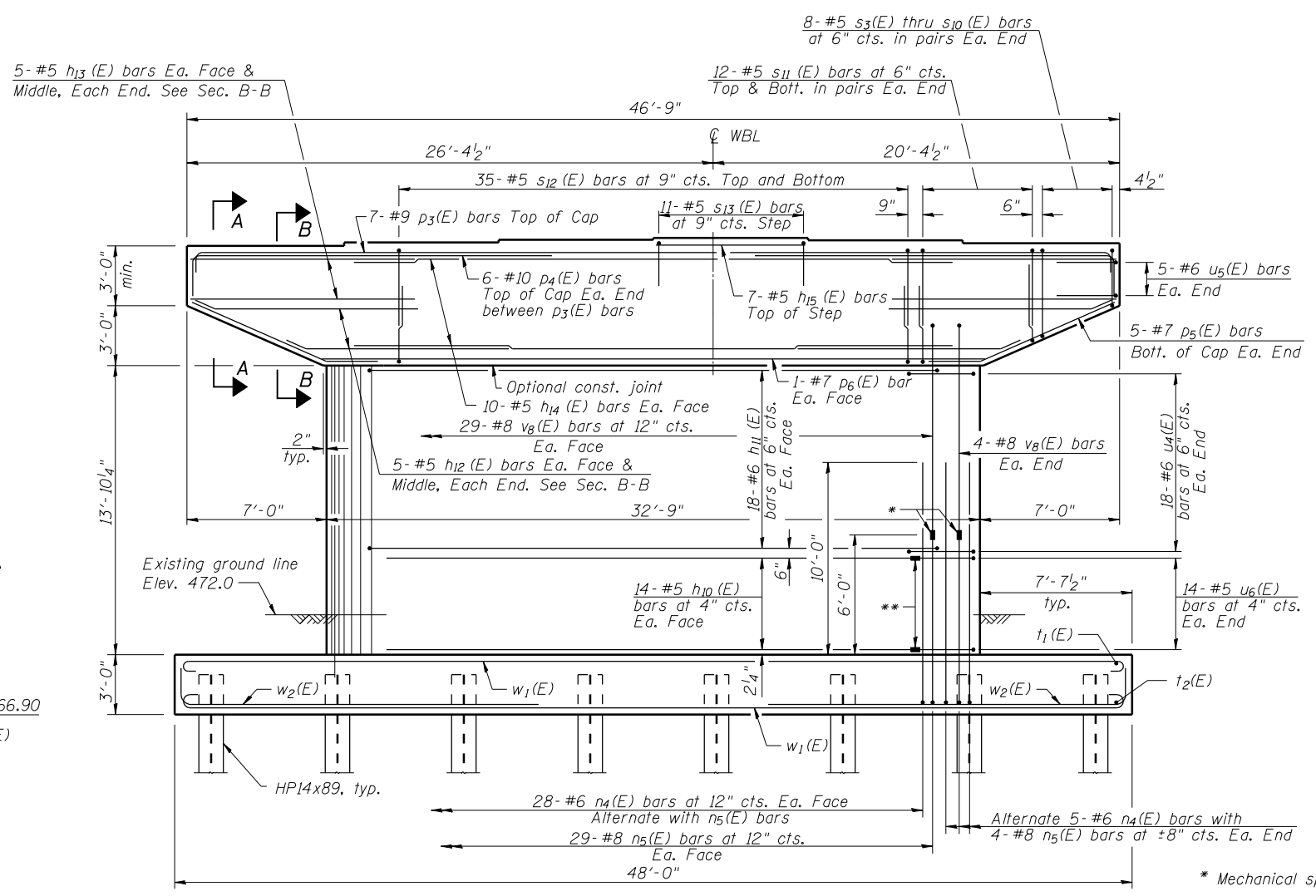
MINIMUM BAR LAP
 (Pier)
 #5 bar = 3'-3"



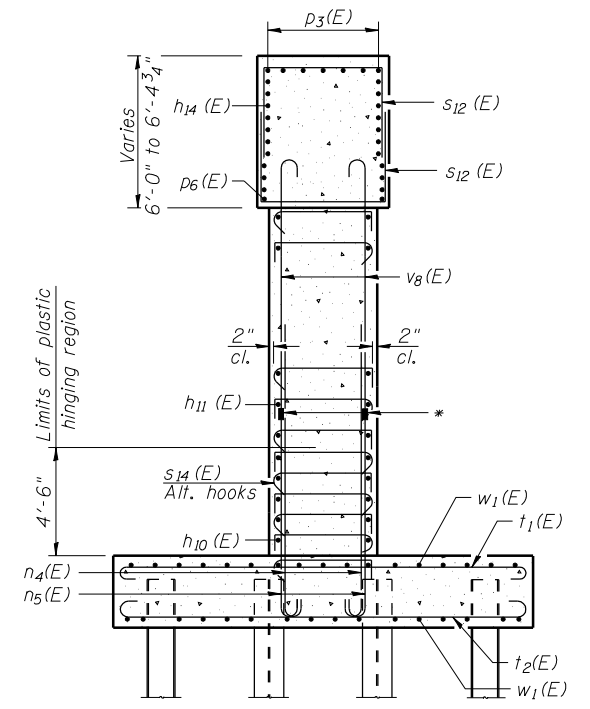
ANCHOR BOLT LAYOUT



END VIEW



ELEVATION
 (Looking East)



SECTION THRU PIER

* Mechanical splice on vertical bars.
 ** Mechanical splice or shop welded splice per AWS D1.4 on horizontal bars.



USER NAME = has	DESIGNED - RDP	08/13	REVISED -
ESCA PROJECT NO. 1070.09	CHECKED - MTD	08/13	REVISED -
	DRAWN - DWH	08/13	REVISED -
PLOT DATE = 1/28/2014 2:18:30 PM	CHECKED - ELH	01/14	REVISED -

STATE OF ILLINOIS
 DEPARTMENT OF TRANSPORTATION

PIER 2 - WB
 STRUCTURE NO. 026-0106

SHEET NO. 87 OF 113 SHEETS

F.A.I. RTE.	SECTION	COUNTY	TOTAL SHEETS	SHEET NO.
70	(26-3B-1, 3B-1(3))BR	FAYETTE	277	167
CONTRACT NO. 74175				
ILLINOIS FED. AID PROJECT				