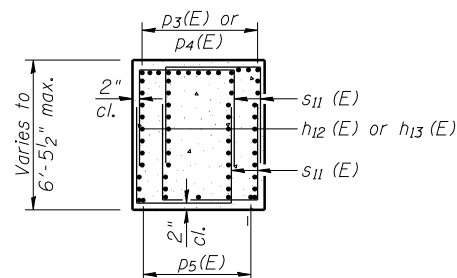
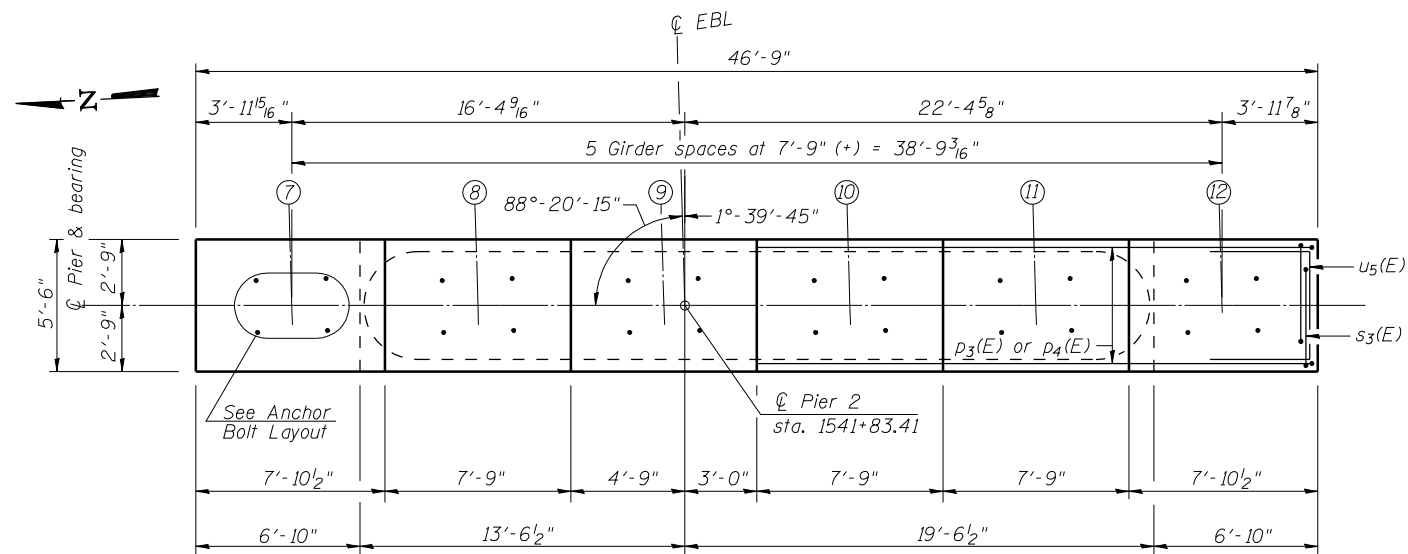


SECTION A-A



SECTION B-B

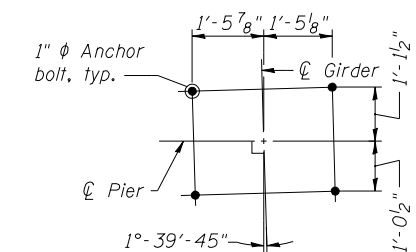


MINIMUM BAR LAP

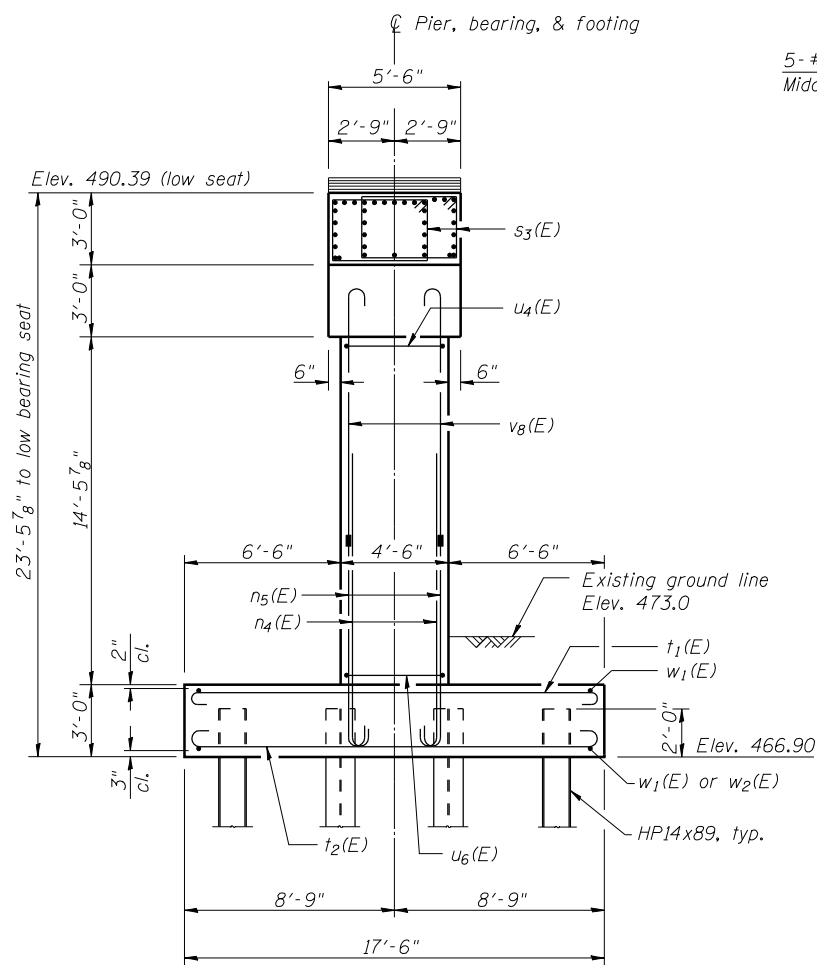
(Pier)  
#5 bar = 3'-3"

TOP PLAN

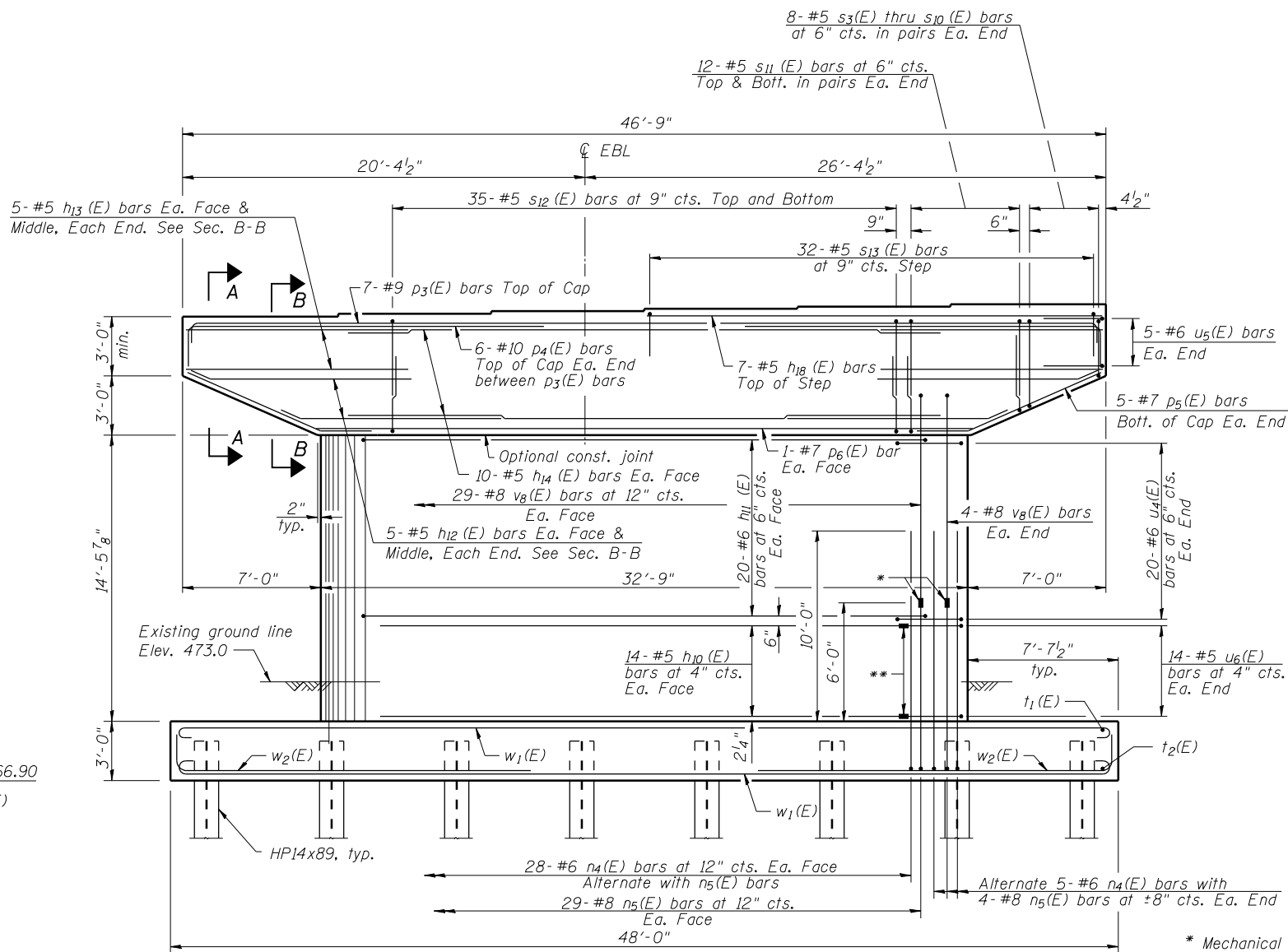
Notes:  
Space reinforcement in cap to miss anchor bolts.  
Pour steps monolithically with cap.  
For details of piles, see sheet 106 of 113.



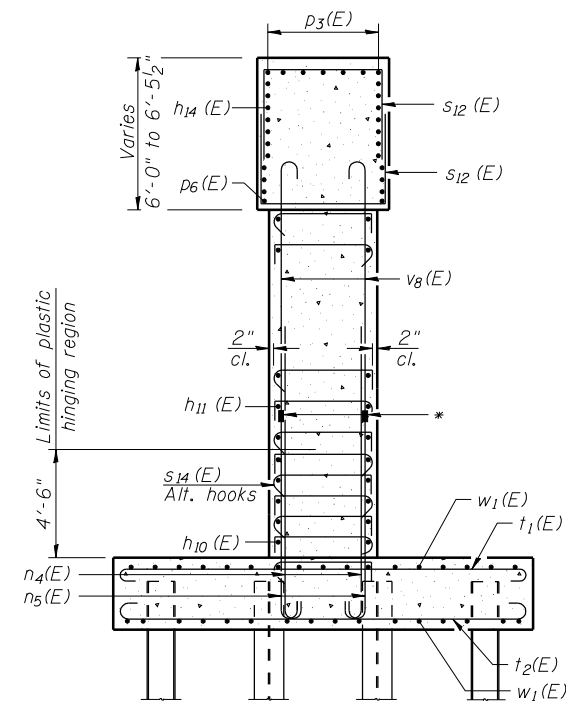
ANCHOR BOLT LAYOUT



END VIEW



ELEVATION  
(Looking East)



SECTION THRU PIER

\* Mechanical splice on vertical bars.  
\*\* Mechanical splice or shop welded splice per AWS D1.4 on horizontal bars.



USER NAME = has	DESIGNED - RDP	08/13	REVISED -
ESCA PROJECT NO. 1070.09	CHECKED - MTD	08/13	REVISED -
PLOT DATE = 1/28/2014	DRAWN - DWH	08/13	REVISED -
3:00:29 PM	CHECKED - ELH	01/14	REVISED -

STATE OF ILLINOIS  
DEPARTMENT OF TRANSPORTATION

PIER 2 - EB  
STRUCTURE NO. 026-0107

SHEET NO. 97 OF 113 SHEETS

F.A.I. RTE.	SECTION	COUNTY	TOTAL SHEETS	SHEET NO.
70	(26-3B-1, 3B-1(3))BR	FAYETTE	277	177
CONTRACT NO. 74175			ILLINOIS FED. AID PROJECT	