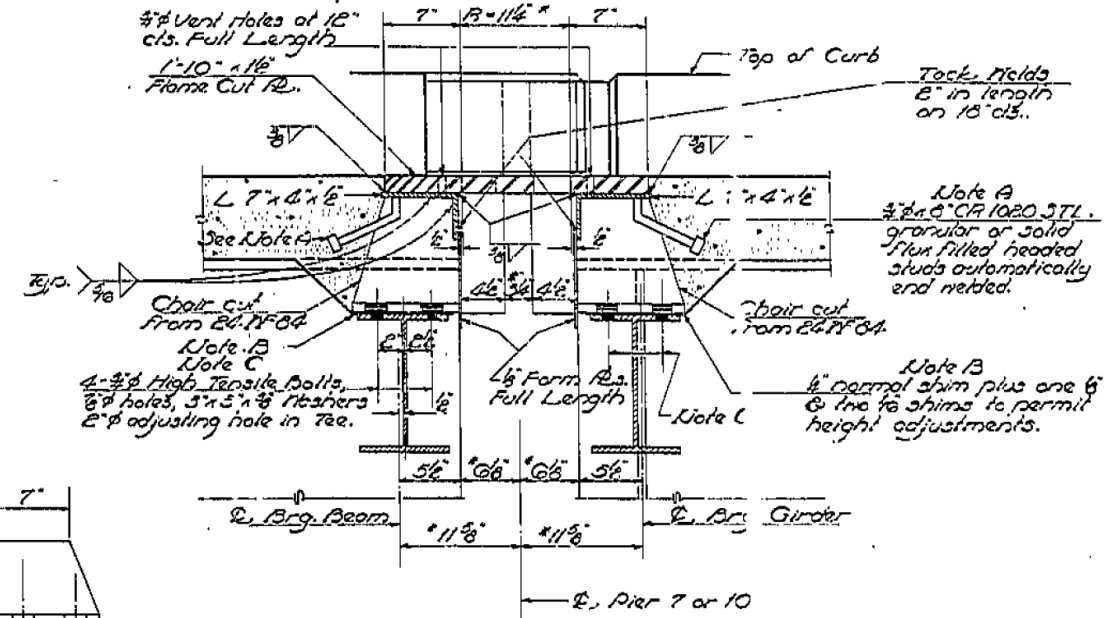
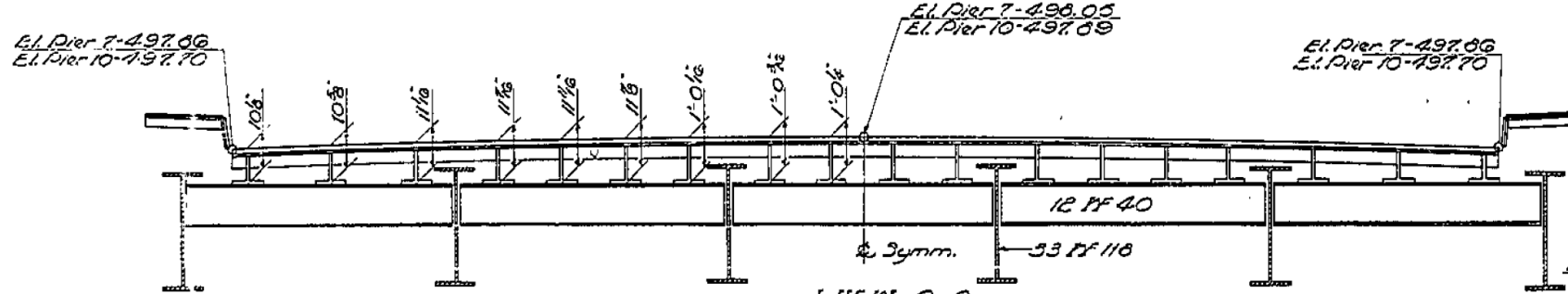


PLAN
Finger Plates of Piers 7 & 10

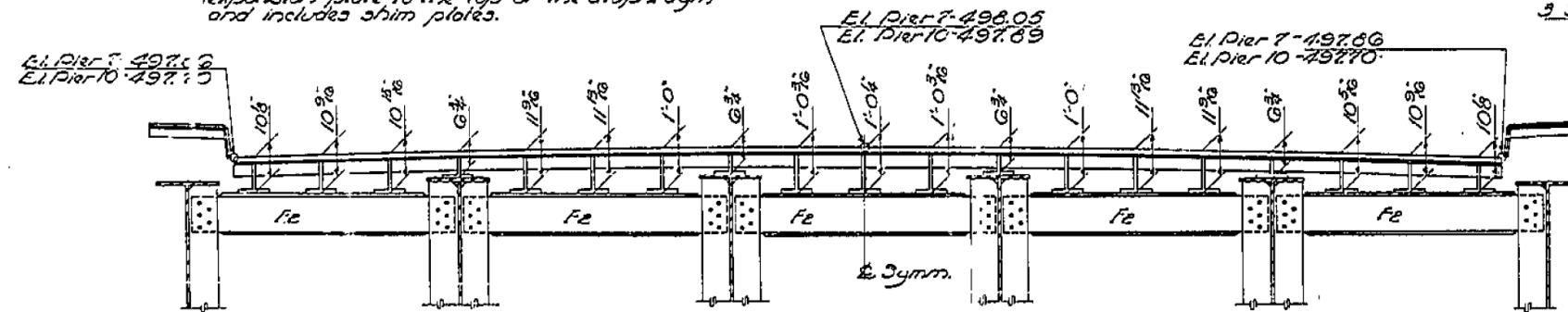


SECTION C-C



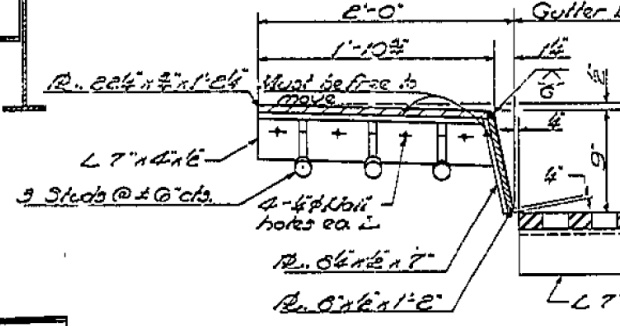
VIEW A-A

Note:
All offsets shown are from the top of the expansion plate to the top of the diaphragm and includes shim plates.

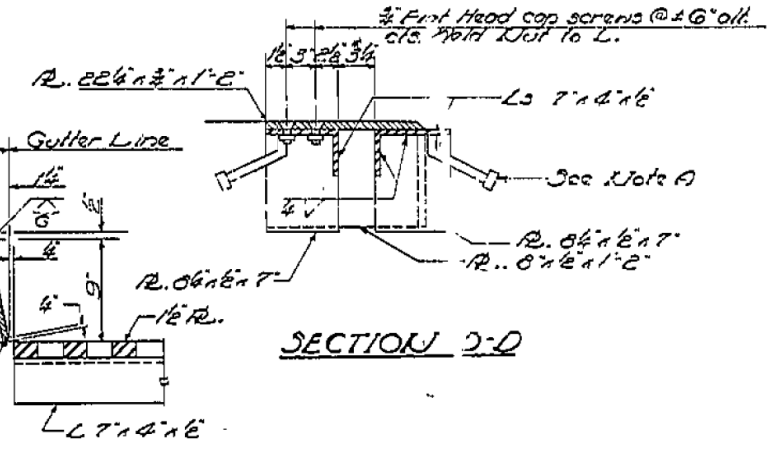


VIEW B-B

CHAIR DETAIL



SECTION E-E

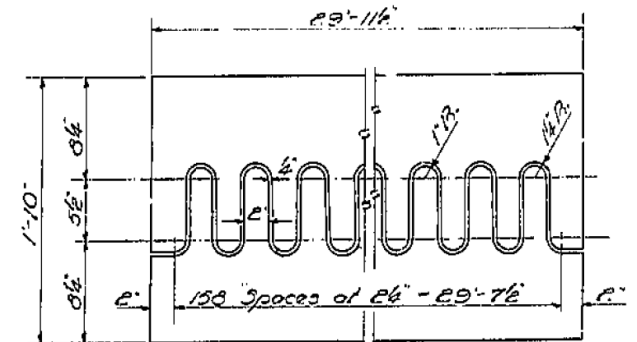


SECTION D-D

TABLE OF 'R' DIMENSIONS

Pi.	10'	30'	50'	70'	90'	110'
Pier 1	12 5/8	11 3/8	11 1/4	10 9/16	9 5/8	9 3/8
Pier 4	12 6/8	11 1/4	11 1/4	10 7/8	10 3/8	9 5/8

Note:
Dimensions which vary due to changes in temperature are given for a normal temperature of 50°F and are marked by an asterisk (*).



FLAME CUT PLATE DETAIL

DESIGNED R.K. Taylor
CHECKED M.E. Lomaha
DRAWN M.E. Lomaha
CHECKED M.E. Lomaha
EXAMINED H.C. B...
PASSED
APPROVED U.E. Bluff

JUNE 6 1963



USER NAME = has
DESIGNED - ELH
DRAWN - HAS
CHECKED - RDP
PLOT DATE = 1/29/2014 2:08:03 PM DATE - 08/13

STATE OF ILLINOIS
DEPARTMENT OF TRANSPORTATION

STRUCTURE NO. 026-0018 EXISTING BRIDGE PLANS
WB - FOR INFORMATION ONLY

SCALE: SHEET NO. 9 OF 28 SHEETS STA. TO STA.

F.A.I. RTE.	SECTION	COUNTY	TOTAL SHEETS	SHEET NO.
70	(26-3B-1, 3B-1(3))BR	FAYETTE	277	202
CONTRACT NO. 74175				

FED. ROAD DIST. NO. ILLINOIS FED. AID PROJECT

EXPANSION DEVICE
F.A.I. RTE. 70-SEC. 26-3B-1(2)
FAYETTE COUNTY
STA. 544+27