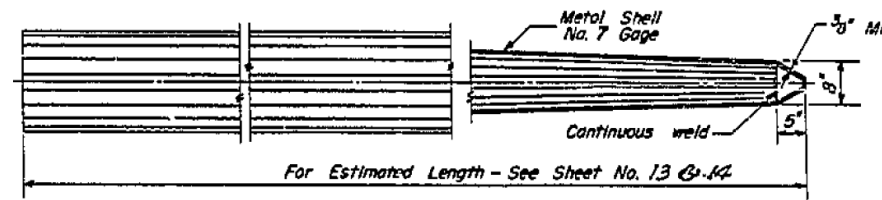
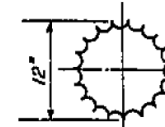
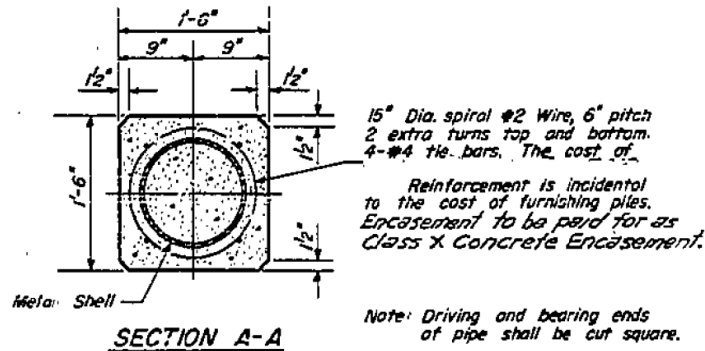
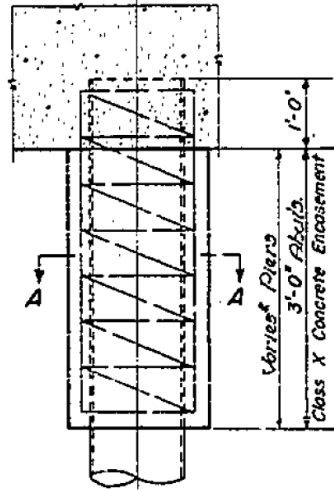


OPTIONAL FLAT END

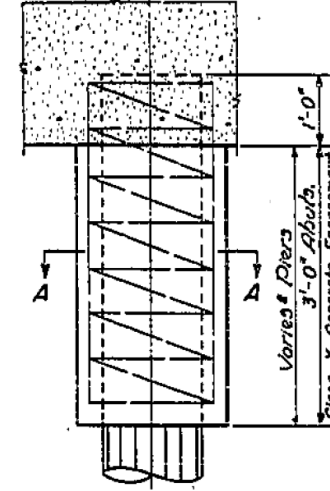


SPLICE TO BE USED AS REQUIRED



*Encasement extends to 4'-0" below ground line.

DETAIL OF CYLINDRICAL STEEL SHELL FOR CAST IN PLACE CONCRETE PILES

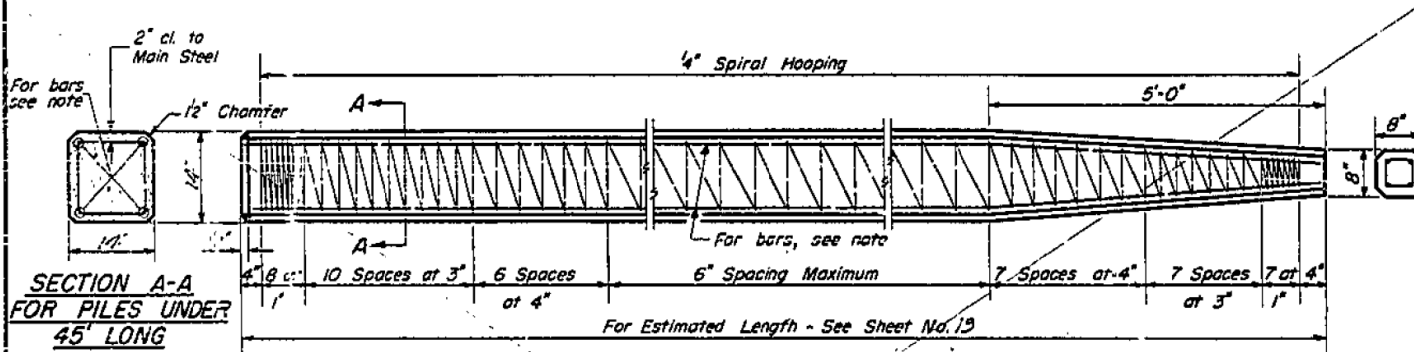


*Encasement extends to 4'-0" below ground line.

DETAIL OF TAPERED METAL SHELL FOR CAST IN PLACE CONCRETE PILES

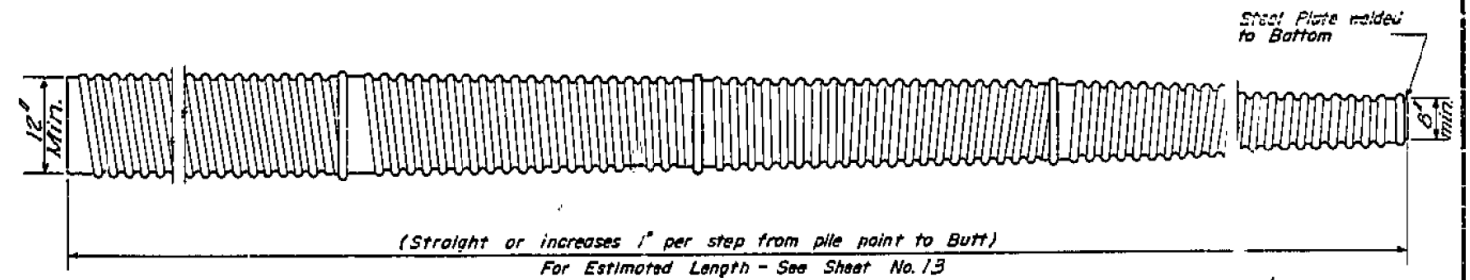
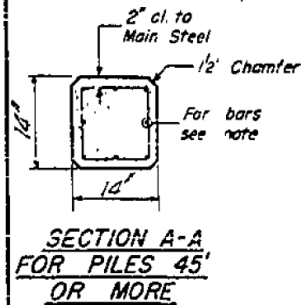
ALLOWABLE TAPERS

- 1-Taper 1/2'-6" for 10' + 12" Cylindrical Section Extension
- 2-Taper 1/4'-0" for 17' + 12" Cylindrical Section Extension
- 3-Taper 1/7'-0" for 30' + 12" Cylindrical Section Extension

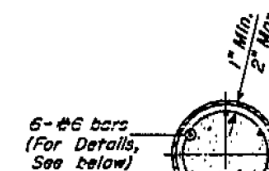
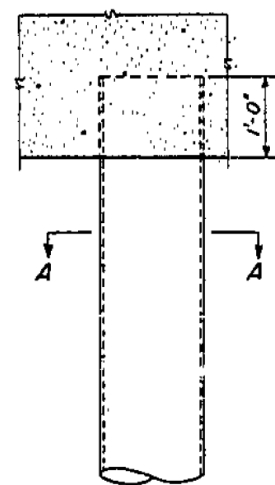


Note: For 14" Piles 45' long or more use 8-#8 bars 4 for the full length and 4 to the point of bevel.
For 12" Piles under 45' long use 4-#9 bars the full length.

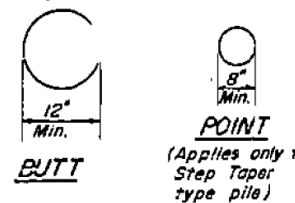
Handling: For Pile lengths up to 45', use two slings placed at a distance of 0.21 L* from each end.
For Piles longer than 45', use three slings placed at a distance of 0.12 L* from each end and at mid-point of pile.
*L = Over all length of pile to be handled.



At least 1/4 of the length of pile shall have a Butt diameter equal to or greater than 12".
Gages are furnished to suit so conditions (14 Gage & n.)



Reinforcement is incidental to the cost of furnishing piles.



DETAIL OF MANDREL DRIVEN STRAIGHT OR STEP-TAPER PILES FOR CAST IN PLACE CONCRETE PILES
PIERS 3-6 11-14 & ABUTMENTS
PILE DETAILS
F.A.I.R.T.70 SEC.26-38-1(2)
FAYETTE COUNTY
STATION 544 + 87

DESIGNED	R. X. Taylor	EXAMINED	H. C. Bannerman
CHECKED	O. H. Hoge, Jr.	PASSED	E. J. Bennett
DRAWN	W. A. Sausamail	APPROVED	V. E. Duff
CHECKED	V. H. H.		

JUNE 6 1963

X-1 Rev. 5-12-61

DETAIL OF PRECAST CONCRETE PILES