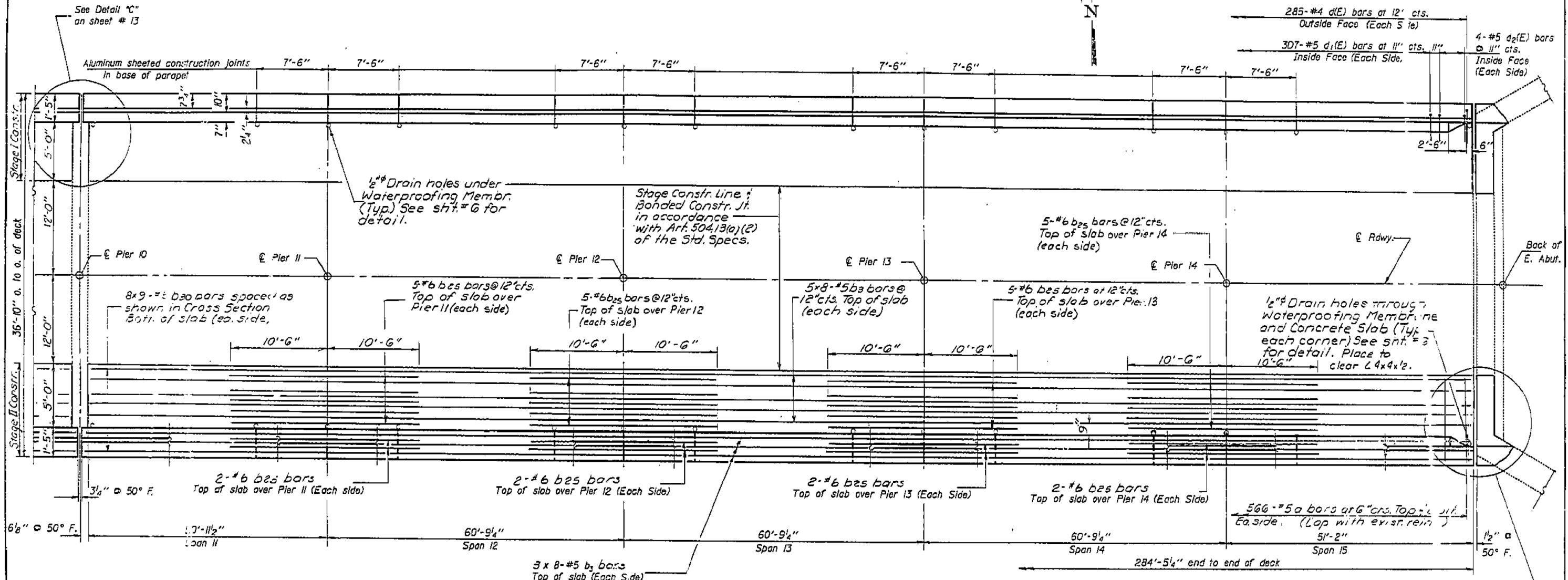


STATE OF ILLINOIS  
DEPARTMENT OF TRANSPORTATION

ROUTE NO.	SECTION	COUNTY	TOTAL SHEETS	SHEET NO.	GHEET NO. 8
F.A.I. 70	(26-3B-1)	FAYETTE	27	216	15 SHEETS
FED. ROAD DIST. NO.	ILLINOIS	FED. AID PROJECT			



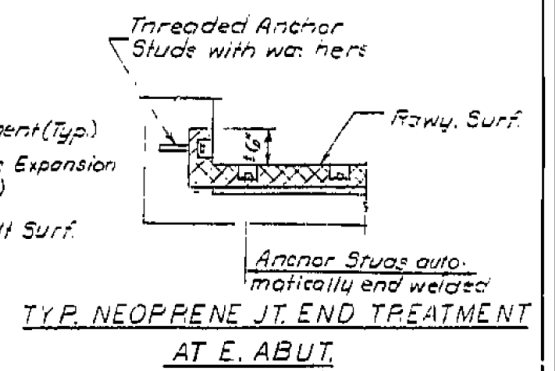
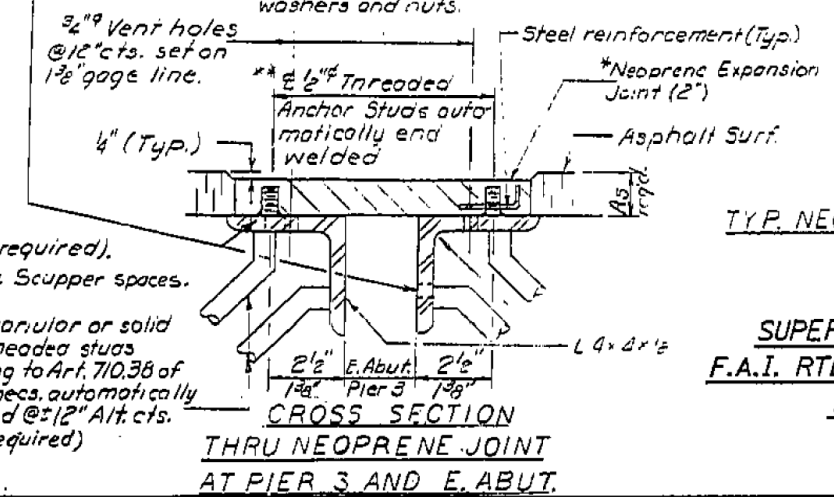
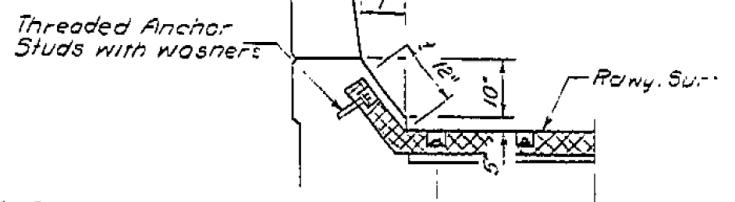
PLAN - UNIT IV

\* Extend Neoprene Expansion Jt. into base of parapet from last manufactured lap in Jt. Use FEIT SPAN MODEL T30-1 1/2-S (Fel-Pro Building Products, Inc.) or a Neoprene Exp. Jt. of equivalent size and dimensions

Notes:  
1/16" Holes @ 12" cts. for 3/8" bolts set on 2 1/2" gage line. All bolts shall be burned, sawed or clipped off flush with back of angles after forms are removed.

See sheet #10 for superstructure details and Bill of Material.  
Reinforcement bars designated (E) shall be epoxy coated.  
Bars indicated thus 20 x 3-#5 etc. indicates 20 lines of bars with 3 lengths per line.  
See sheet # 9 for Parapet Elevation  
Existing reinforcement extending into the new concrete shall be cleaned and incorporated into the new concrete. (2'-2" min. embedment required).  
See sheet # 1 for Floor Drain and Drainage Scupper spaces.  
See sheet # 5 for Cross Section.

Cut bars as necessary to miss scuppers and floor drains.  
\*\* Stainless Steel granular or solid flux filled threaded studs conforming to ASTM A-193 with stainless steel washers and nuts.



SUPERSTRUCTURE - UNIT IV  
F.A.I. RTE. 70 SEC. 26-3B-1 (2) I  
FAYETTE COUNTY  
STA. 544+27.00

DESIGNED	ELH
CHECKED	David Burt
DRAWN	mercado
CHECKED	DE

EXAMINED	James J. Hyslop
PASSED	James J. Hyslop
APPROVED	James J. Hyslop

TYP. NEOPRENE JT. END TREATMENT AT PIER 3

MIN. BAR LAPS  
#5 bars 2'-2"

STATE OF ILLINOIS  
DEPARTMENT OF TRANSPORTATION

STRUCTURE NO. 026-0018 EXISTING BRIDGE PLANS  
WB - FOR INFORMATION ONLY

F.A.I. RTE.	SECTION	COUNTY	TOTAL SHEETS	SHEET NO.
70	(26-3B-1, 3B-1(3))BR	FAYETTE	277	216
FED. ROAD DIST. NO.	ILLINOIS	FED. AID PROJECT		



USER NAME	has	DESIGNED	ELH	REVISED	-
ESCA PROJECT NO.	1000.05	DRAWN	HAS	REVISED	-
PLOT SCALE	0.1667' / IN.	CHECKED	RDP	REVISED	-
PLOT DATE	1/29/2014	DATE	08/13	REVISED	-

SCALE: SHEET NO. 23 OF 28 SHEETS STA. TO STA.