

BILL OF MATERIAL

Bar	Qty	Size	Length	Shape
a	87	#5	6'-0"	
a1	1	#5	2'-0"	
b	6	#5	34'-9"	
b1	1	#5	33'-11"	
b2	1	#5	37'-0"	
b3	1	#5	37'-5"	
b4(E)	8	#5	50'-5"	
b5(E)	8	#5	50'-5"	
b6(E)	6	#5	9'-9"	
b7(E)	6	#5	9'-9"	
b8(E)	8	#5	29'-3"	
b9(E)	3	#8	30'-5"	
b10(E)	3	#5	43'-11"	
b11(E)	3	#5	45'-11"	
b12(E)	2	#5	7'-4"	
b13(E)	2	#5	7'-4"	
b14(E)	2	#5	45'-4"	
b15(E)	2	#5	45'-4"	
b16(E)	1	#5	49'-10"	
b17(E)	1	#8	51'-0"	
b18(E)	1	#5	19'-10"	
b19(E)	1	#8	19'-10"	
b20(E)	1	#5	38'-11"	
b21(E)	1	#8	39'-7"	
b22(E)	8	#5	43'-6"	
b23(E)	8	#5	43'-6"	
b24	28	#6	26'-8"	
b25	98	#6	21'-0"	
b26	28	#6	53'-6"	
b27	112	#5	30'-3"	
b28	128	#5	30'-0"	
b29	192	#5	34'-0"	
b30	144	#5	33'-6"	
d1(E)	2190	#4	4'-6"	
d2(E)	2374	#5	3'-11"	
d3(E)	16	#5	4'-11"	
e(E)	72	#4	16'-8"	
e1(E)	48	#4	9'-9"	
e2(E)	36	#4	18'-7"	
e3(E)	120	#4	14'-5"	
e4(E)	168	#4	7'-4"	
e5(E)	180	#4	15'-0"	
e6(E)	120	#4	19'-4"	
e7(E)	48	#4	19'-10"	
e8(E)	72	#4	18'-2"	
e9(E)	24	#4	14'-4"	

Reinforcement Bars (Epoxy Coated)	Lbs.	4,380
Class X Concrete Superstructure	Cu Yds.	567.5
Reinforcement Bars	Lbs.	99,920

Reinforcement bars designated (E) shall be epoxy coated

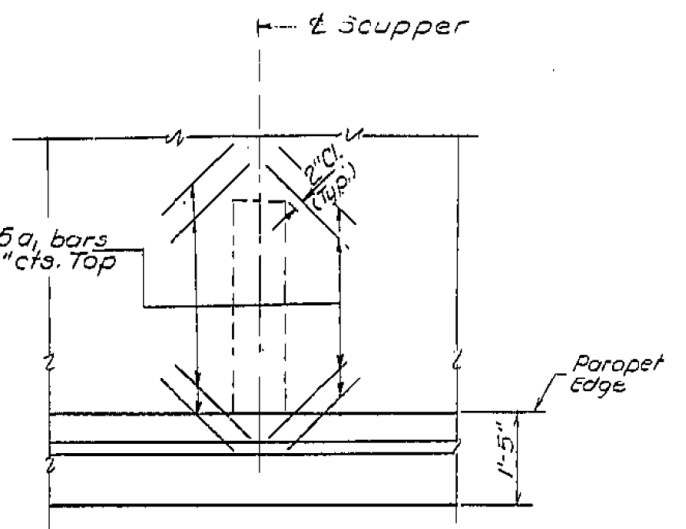
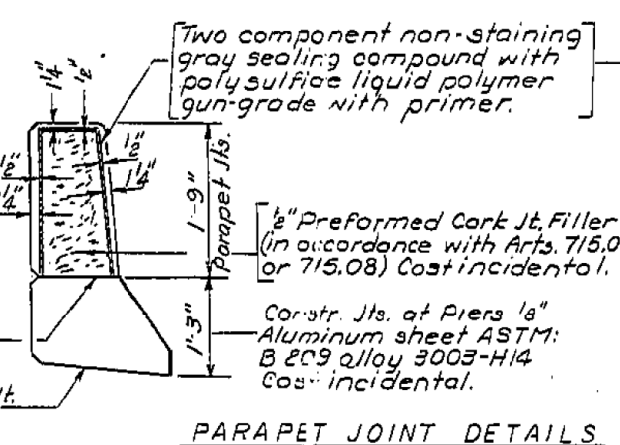
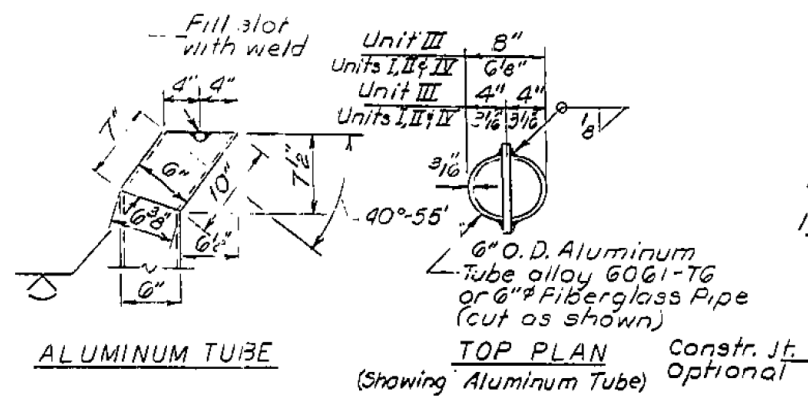
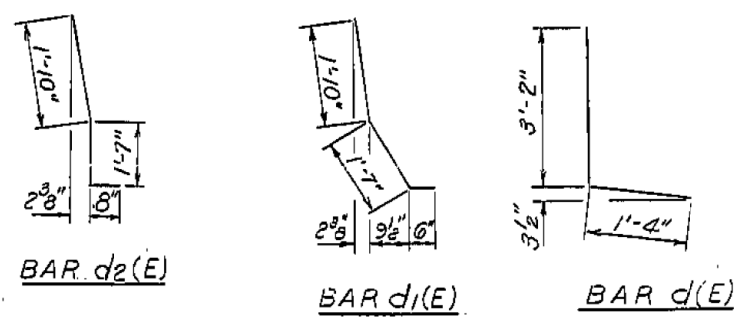
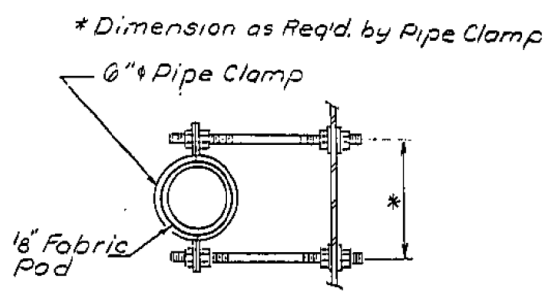
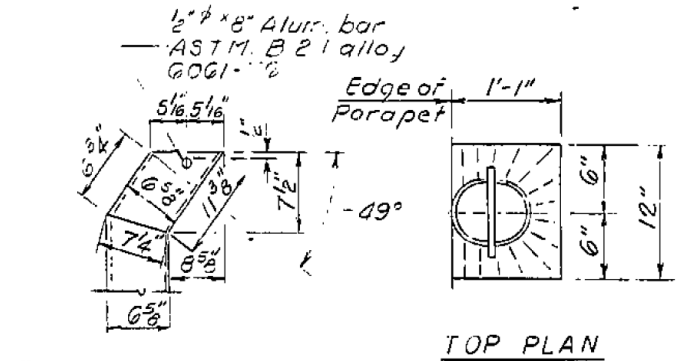
SUPERSTRUCTURE DETAILS

F.A.I. RTE. 70 SEC. 26-3B-1(2) I

FAYETTE COUNTY

STA. 544+27.00

Rev. 7/12/86 F.M.
Rev. 4/18/87 F.M.



Cut existing reinforcement as necessary to miss scuppers.

The exterior surfaces of Fiberglass Floor Drains shall be painted with the final coat of paint system specified for new Structural Steel. Fiberglass pipe shall conform to ASTM: D 2996, with short-time rupture strength hoop tensile stress of 30,000 p.s.i. minimum. The surface of the Fiberglass pipe shall be free of bond inhibiting agents.

DESIGNED: [Signature]
CHECKED: David Buechler
DRAWN: mercado
CHECKED: D.B. L.R.

EXAMINED: [Signature]
PASSED: [Signature]
APPROVED: [Signature]



USER NAME = has	DESIGNED - ELH	REVISED -
ESCA PROJECT NO. 1000.05	DRAWN - HAS	REVISED -
PLOT SCALE = 0.1667 / IN.	CHECKED - RDP	REVISED -
PLOT DATE = 1/29/2014	DATE - 08/13	REVISED -

STATE OF ILLINOIS
DEPARTMENT OF TRANSPORTATION

STRUCTURE NO. 026-0018 EXISTING BRIDGE PLANS
WB - FOR INFORMATION ONLY

SCALE: SHEET NO. 25 OF 28 SHEETS STA. TO STA.

F.A.I. RTE.	SECTION	COUNTY	TOTAL SHEETS	SHEET NO.
70	(26-3B-1, 3B-1(3))BR	FAYETTE	277	218
FED. ROAD DIST. NO. ILLINOIS FED. AID PROJECT			CONTRACT NO. 74175	