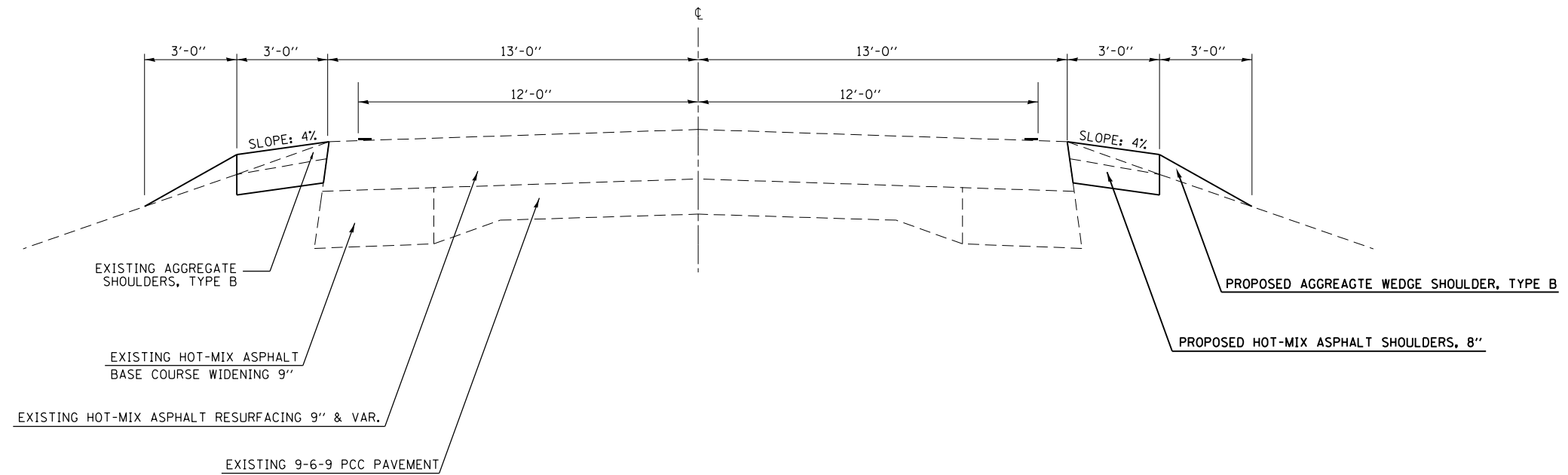


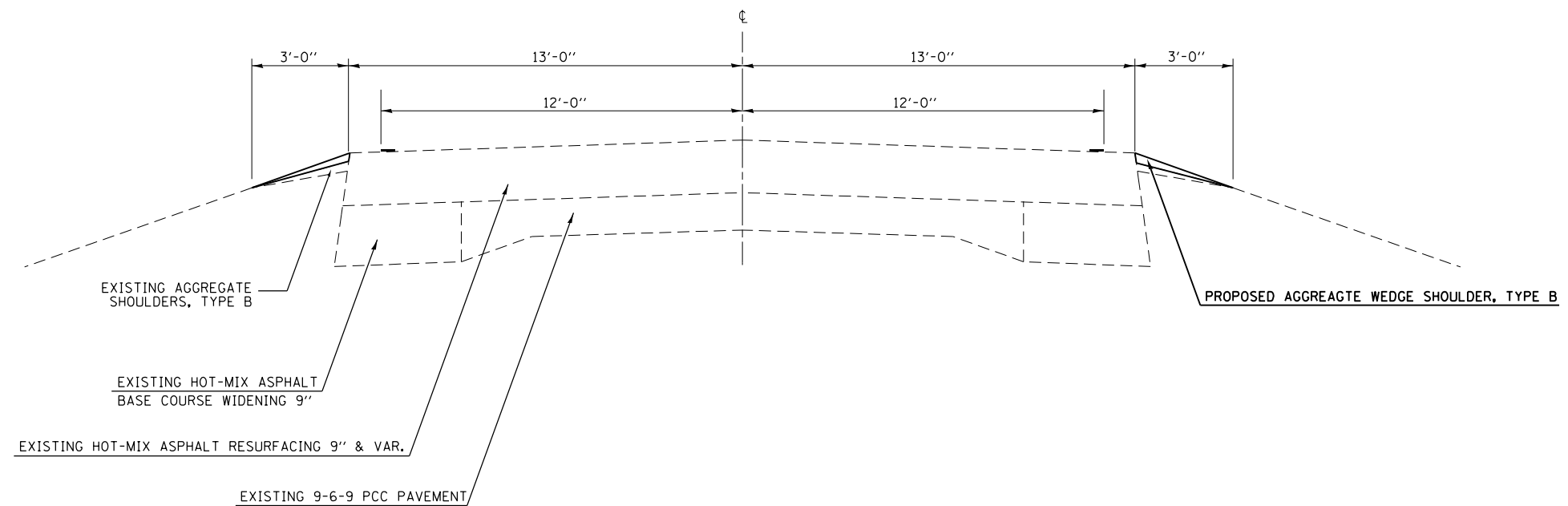
### TYPICAL CROSS SECTION

STATION	TO	STATION
3 + 19.00		181 + 85.00
220 + 00.00		529 + 50.00
532 + 44.00		785 + 28.00
807 + 60.00		871 + 19.00



### TYPICAL CROSS SECTION

STATION	TO	STATION
181 + 85.00		220 + 00.00



• D7 HMA SAFETY SHLD 2014-1  
 •• SHELBY & EFFINGHAM

FILE NAME =	USER NAME = steffenmk	DESIGNED -	REVISED -
c:\pwork\pwork\stev\stev\0332768\074610-sh-typical.dgn		DRAWN -	REVISED -
Default	PLOT SCALE = 100.0000' / in.	CHECKED -	REVISED -
	PLOT DATE = 1/28/2014	DATE -	REVISED -

STATE OF ILLINOIS  
 DEPARTMENT OF TRANSPORTATION

TYPICAL CROSS SECTIONS

SCALE: N/A SHEET OF SHEETS STA. TO STA.

F.A.P. RTE.	SECTION	COUNTY	TOTAL SHEETS	SHEET NO.
766	*	**	7	4
CONTRACT NO. 74610				
ILLINOIS FED. AID PROJECT				