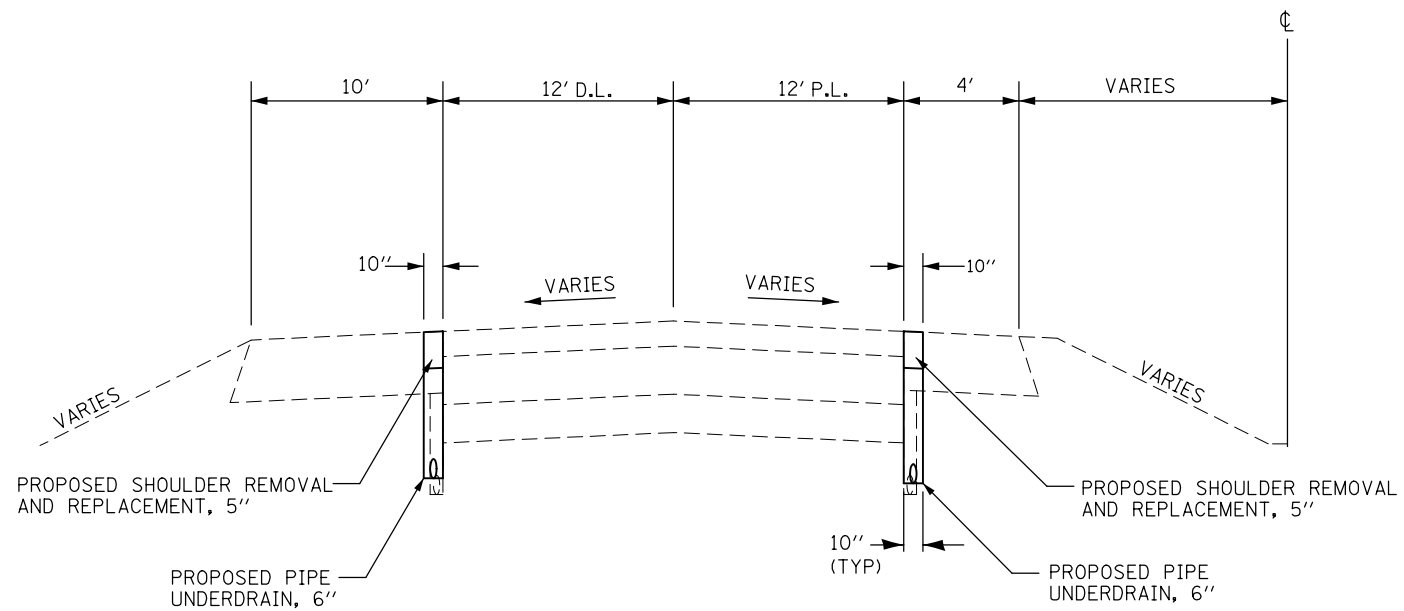


**EB F.A.I. ROUTE 70 PRE-STAGE CONSTRUCTION TYPICAL SECTION  
STA. 2778 + 74.10 TO STA. 3038 + 61.99  
(LOOKING EAST)**

DEPTH OF PIPE UNDERDRAIN IS TO BE MEASURED FROM THE BOTTOM OF THE EXISTING CRC PCC PAVEMENT.



**WB F.A.I. ROUTE 70 PRE-STAGE CONSTRUCTION TYPICAL SECTION  
STA. 2778 + 74.10 TO STA. 3038 + 61.99  
(LOOKING WEST)**

DEPTH OF PIPE UNDERDRAIN IS TO BE MEASURED FROM THE BOTTOM OF THE EXISTING CRC PCC PAVEMENT.

FILE NAME =	USER NAME = wedmore_jb	DESIGNED -	REVISED -	<b>STATE OF ILLINOIS DEPARTMENT OF TRANSPORTATION</b>	<b>PRE-STAGE CONSTRUCTION TYPICAL SECTIONS</b>			F.A.I. RTE.	SECTION	COUNTY	TOTAL SHEETS	SHEET NO.
et:\pwork\pwork\wedmore_jb\d0149084\0876021-sh-typical.dgn		DRAWN -	REVISED -					70	3-5RS-3	BOND	59	43
PLOT SCALE = 100.0000' / 1in.		CHECKED -	REVISED -		SCALE:      SHEET NO.    OF    SHEETS    STA.            TO STA.			CONTRACT NO. 76D21				
PLOT DATE = 3/10/2014		DATE -	REVISED -		ILLINOIS FED. AID PROJECT							