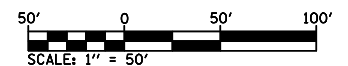
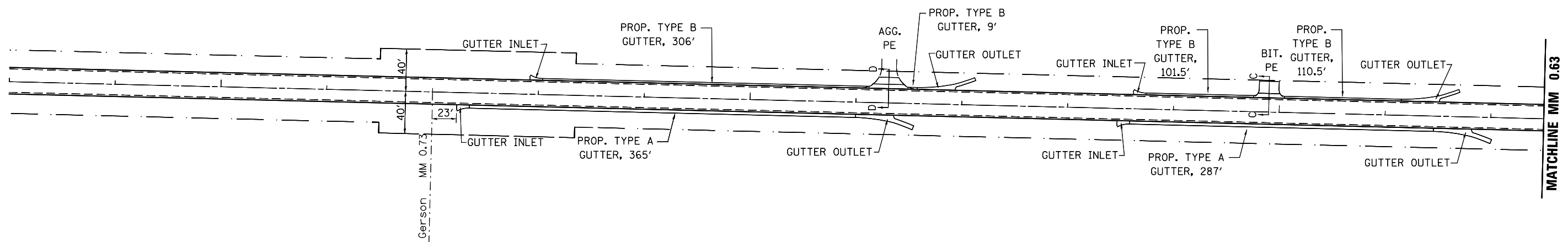


NOTE: SEE PAGE 19 FOR ENTRANCE C-C AND D-D DETAILS.

CONCRETE GUTTER - LOCATION 1

CONCRETE GUTTER - LOCATION 2



FILE NAME =	USER NAME = conoverpj	DESIGNED -	REVISED -
e:\pwork\pwork\conoverpj\d0351353\d876g59-shr-plan.dgn		DRAWN -	REVISED -
	PLOT SCALE = 100.0000' / in.	CHECKED -	REVISED -
	PLOT DATE = 1/28/2014	DATE -	REVISED -

**STATE OF ILLINOIS  
DEPARTMENT OF TRANSPORTATION**

**CONCRETE GUTTER DETAILS**

SCALE: 1" = 50'    SHEET NO. 1 OF 2 SHEETS    STA.    TO STA.

F.A.S. RTE.	SECTION	COUNTY	TOTAL SHEETS	SHEET NO.
747	59RS-3	JERSEY	19	15
FED. ROAD DIST. NO.    ILLINOIS FED. AID PROJECT			CONTRACT NO. 76G59	