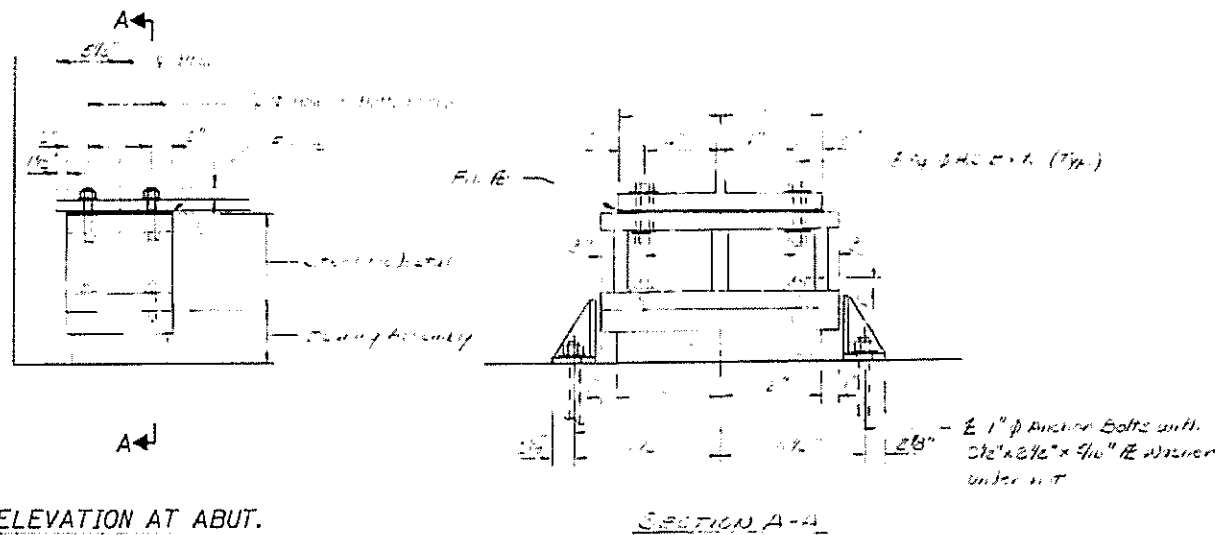
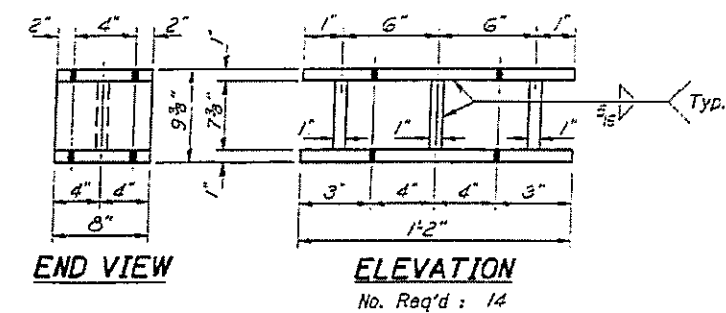
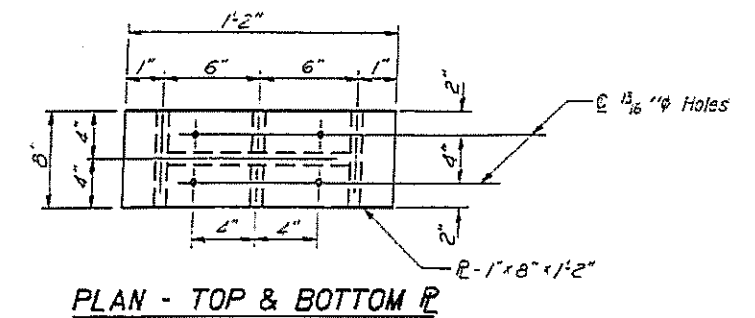


STATE OF ILLINOIS
DEPARTMENT OF TRANSPORTATION

ROUTE NO.	SECTION	COUNTY	TOTAL SHEETS	SHEET NO.
64	ST. CLAIR	ST. CLAIR	29	26
* 82-381-(1,2)				



Notes: Burn off existing anchor bolts flush with existing concrete surface. Grind smooth and seal with epoxy.



ELEVATION AT ABUT.

TYPE I ELASTOMERIC EXP. BRG.

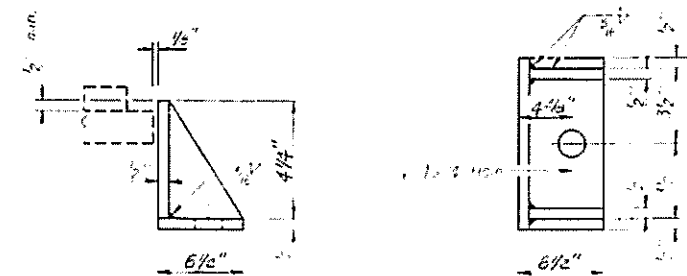
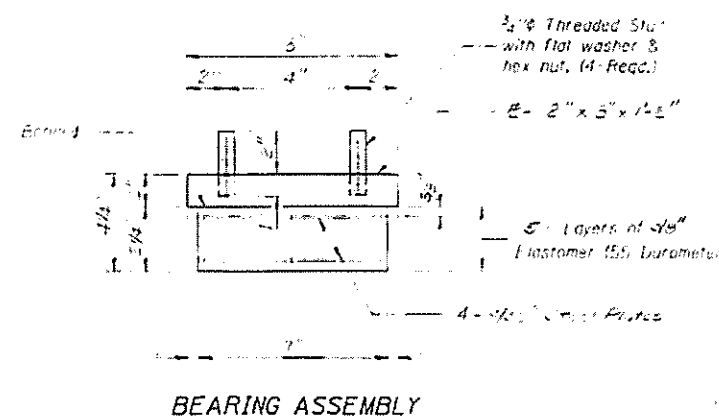
Note: Before installing the new bearings, remove the top P of the existing bearing assembly from the bottom flange of the girders and grind smooth all weld material remaining on the bottom flange. Cost is incidental to "F.&E. Structural Steel".

Note: Fill plates are required in S.N. 082-0189 of LEAMS no. 2354. Thicknesses of fill plates are 1/2" - beam no. 2, 1/2" - beam no. 3 & 1/2" - beam no. 4. Additional dimensions are for same as shown for the top pedestal plate, except for the bottom plate, which is 1/2" thick and is on the bottom flange.

Note: New steel side retainers, fill plates and anchor bolts are included in "Finish and Erect Structural Steel".

BEAM REACTIONS

Live Load	34.3 K
Dead Load	25.2 K
Impact	5.9 K



Notes: Disposition removal and replacement may be required to facilitate drilling holes in bottom flange for bearing attachment. Cost is incidental to "Finish and Erect Structural Steel".

BILL OF MATERIAL

Elastomeric Bearing, Assembly (14)	14
Furnishing and Erecting (24)	24

WEST ABUTMENTS
S.N. 082-0188 & 082-0189
ELASTOMERIC BEARINGS

FAI Route 64
Sec. 82-381-(1,2)
ST. CLAIR COUNTY

Note: New side retainers and anchor bolts are included in "Finish and Erect Structural Steel".

DESIGNED	EXAMINED	19
CHECKED	PASSED	ENGINEER STRUCTURAL
DRAWN	APPROVED	ENGINEER STRUCTURAL
CHECKED		STRUCTURAL
I-2-E1		

FOR INFORMATION ONLY

FILE NAME	USER NAME	DESIGNED	REVISED	STATE OF ILLINOIS DEPARTMENT OF TRANSPORTATION	EXISTING BEARING DETAILS (SN-082-0188, 0189)	F.A. RTE. 64	SECTION 82-BB-P	COUNTY ST. CLAIR	TOTAL SHEETS 29	SHEET NO. 26
*FILE#	*USERS	DRAWN	REVISED		SCALE: N/A				CONTRACT NO. 76683	
		CHECKED	REVISED		SHEET NO. OF SHEETS	STA. TO STA.			FED. ROAD DIST. NO. ILLINOIS	FED. AID PROJECT
		DATE	REVISED							