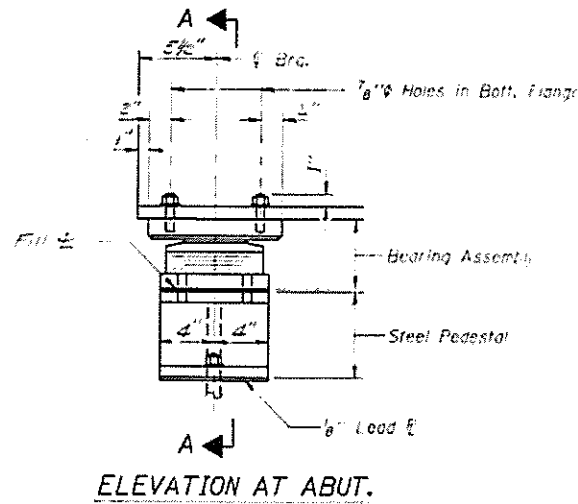
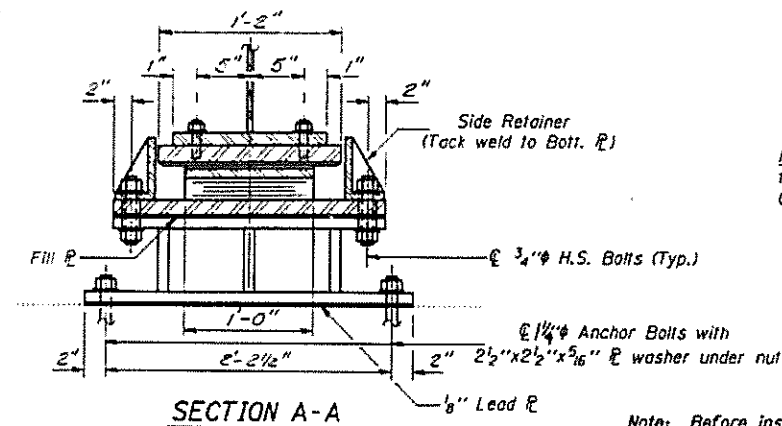


STATE OF ILLINOIS
DEPARTMENT OF TRANSPORTATION

PROJECT NO.	SECTION	COUNTY	TOTAL SHEETS	SHEET NO.
64	#	ST. CLAIR	24	20
SHEETS				
* 82-88I-(1,2)				



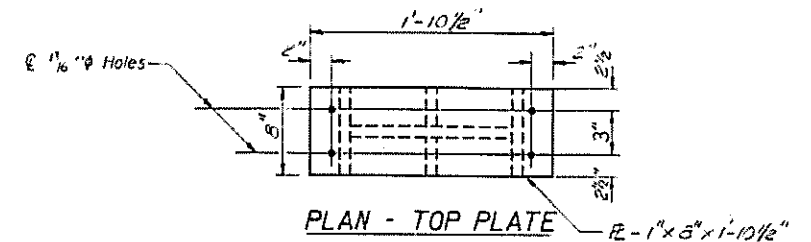
ELEVATION AT ABUT.



SECTION A-A

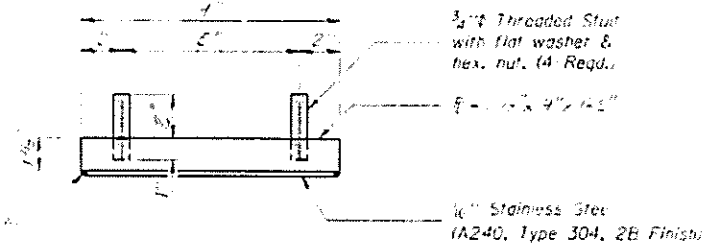
Note: Burn off existing anchor bolts flush with existing concrete surface. Grind smooth and seal with epoxy.

Note: Diaphragm removal and replacement may be required to facilitate drilling holes in bottom flange for bearing attachment. Cost is incidental to "F.&E. Struct. Steel".

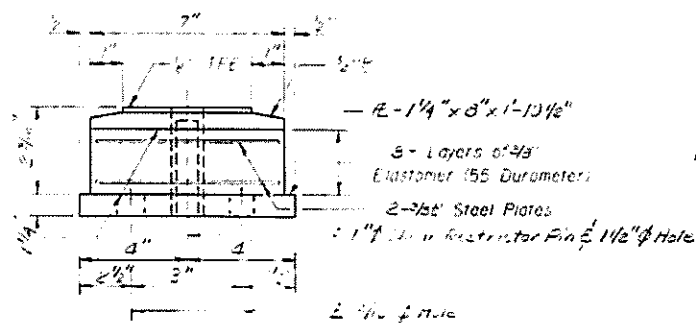


PLAN - TOP PLATE

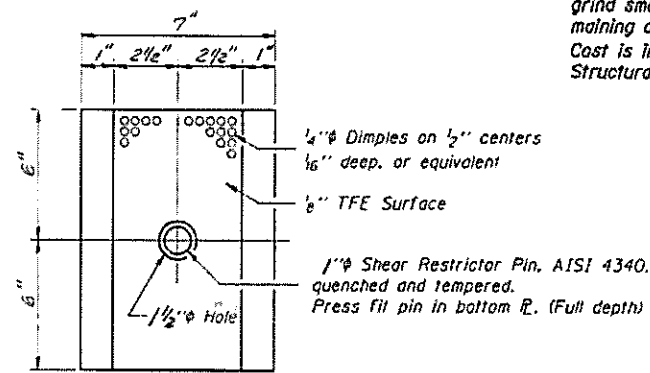
TYPE III TFE ELASTOMERIC EXP. BRG.



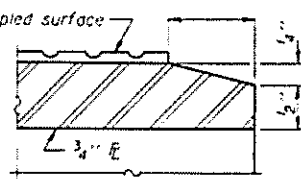
TOP BEARING ASSEMBLY



BOTTOM BEARING ASSEMBLY



PLAN-TFE ELASTOMERIC BRG.

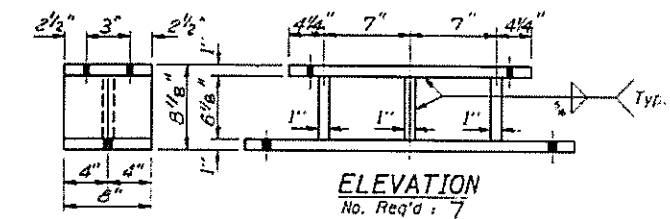


SECTION THRU TFE

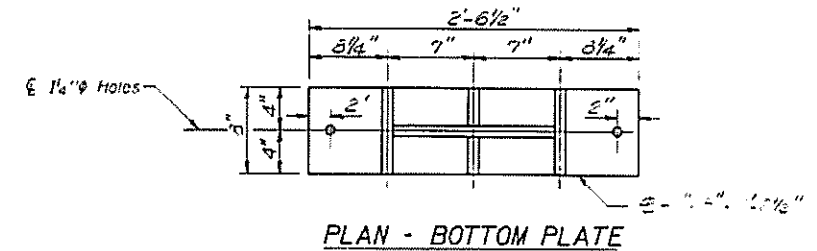
Note: Before installing the new bearings, remove the top flange of the existing bearing assembly from the bottom flange of the girders and grind smooth all weld material remaining on the bottom flange. Cost is incidental to "F.&E. Structural Steel".

Note: The 1/8" TFE sheet shall be bonded directly to the top steel plate with a two-component, medium viscosity epoxy resin, conforming to the requirements of the Federal Specification MMM-A-134, Type 2. The bond agent shall be applied on the full area of the contact surfaces.

Bonding of 1/8" TFE sheet during vulcanizing process will be permitted provided the process and method of adjusting assembly height is approved by the Engineer.



ELEVATION



PLAN - BOTTOM PLATE

Note: No fill plates are required at these locations.

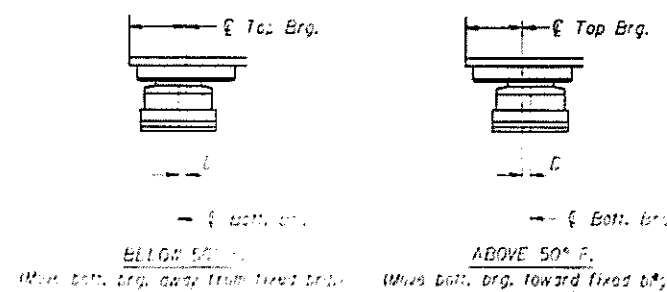
Note: New steel pedestals, side retainers, lead plates and anchor bolts are included in "Furn. and Erect. Structural Steel".

BEAM REACTIONS

Live Load	34.3K
Dead Load	35.3K
Impact	2.9K

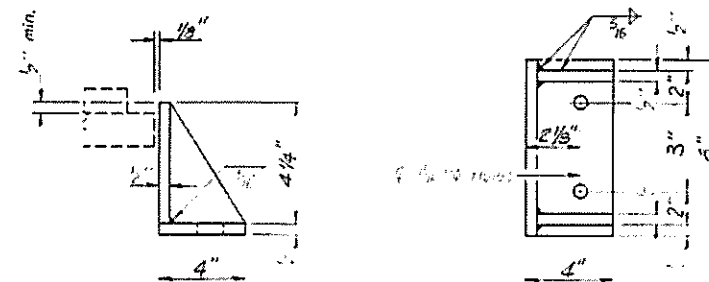
DESIGNED	EXAMINED
CHECKED	PASSED
DRAWN	APPROVED
CHECKED	

I-2-E3



SETTING ANCHOR BOLTS AT EXP. BRG.

1/2" per inch of expansion for every 15° temp. change from the normal temp. of 50° F.



SIDE RETAINER

Equivalent rolled angle with stiffeners will be allowed in use of welded plate.

BILL OF MATERIAL

Item	Unit	Quantity
Elastomeric Bearing Assembly Type III		7
Struct. and Erect.		1650

EAST ABUTMENT
S.N. 082-0188
ELASTOMERIC BEARINGS
FAI Route 64
Sec. 82-88I-(1,2)
ST. CLAIR COUNTY