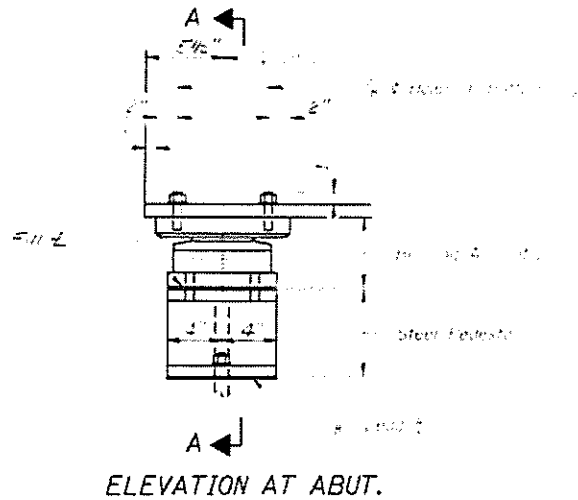


STATE OF ILLINOIS
DEPARTMENT OF TRANSPORTATION

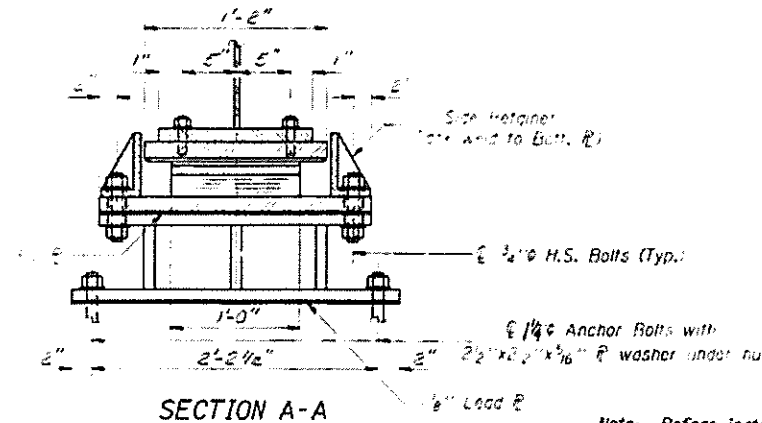
DATE	NO. OF SHEETS	SECTION	COUNTY	TOTAL SHEETS	SHEET NO.
1-2-82	1	B2-BB-P	ST. CLAIR	29	21

* 82-5BI-(1,2)

Note: Diaphragm removal and replacement may be required to facilitate drilling holes in bottom flange for bearing attachment. Cost is incidental to "F.B.E. Struct. Steel".



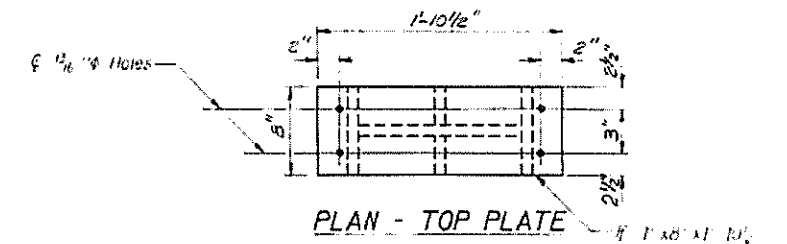
ELEVATION AT ABUT.



SECTION A-A

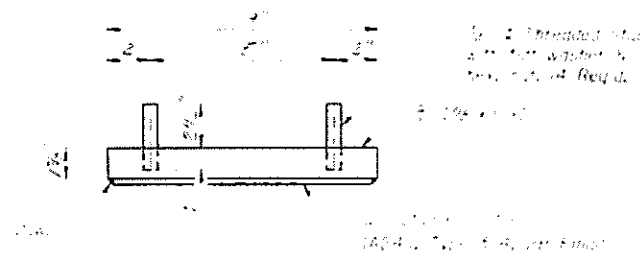
Note: Burn off existing anchor bolts flush with existing concrete surface. Grind smooth and seal with epoxy.

Note: Before installing the new bearings, remove the top flange of the existing bearing assembly from the bottom flange of the girders and grind smooth all weld material remaining on the bottom flange. Cost is incidental to "F.B.E. Structural Steel".

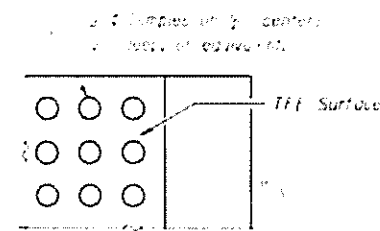


PLAN - TOP PLATE

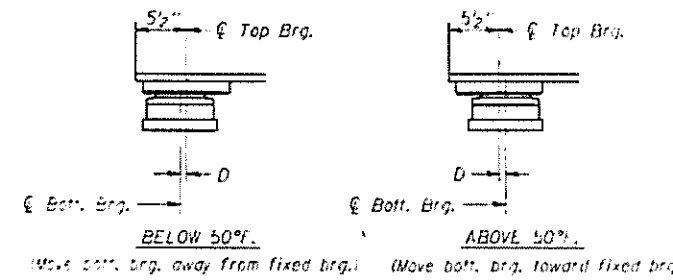
TYPE II TFE ELASTOMERIC EXP. BRG.



TOP BEARING ASSEMBLY

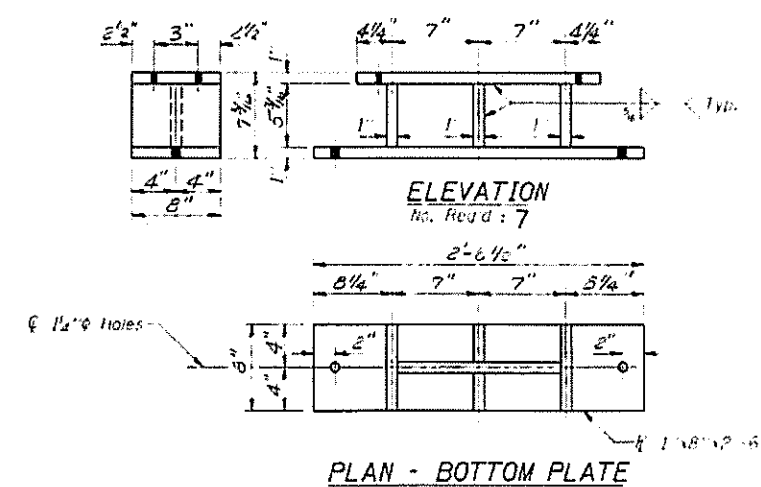


PLAN-TFE SURFACE

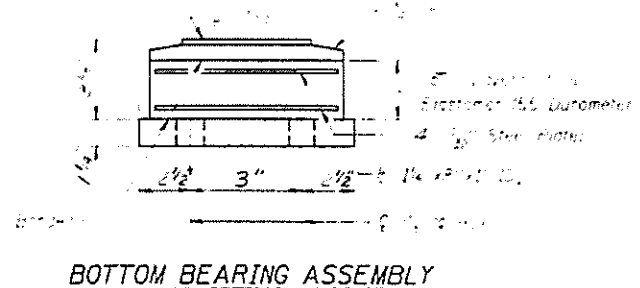


SETTING ANCHOR BOLTS AT EXP. BRG.

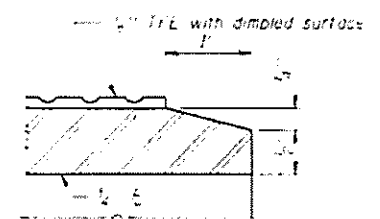
1/8" per each 100' of expansion for every 15° temp. change from the normal temp. of 50°F.



PLAN - BOTTOM PLATE



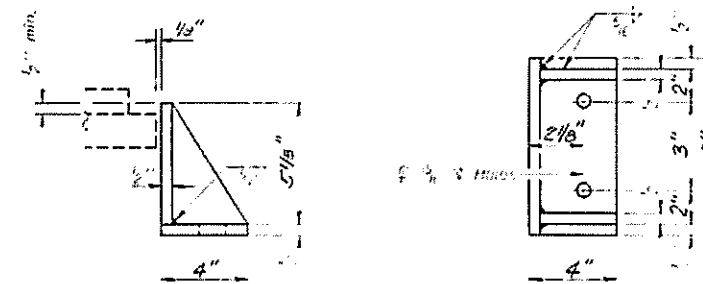
BOTTOM BEARING ASSEMBLY



SECTION THRU TFE

Note: The steel shall be bonded directly to the top steel plate with a two component, medium viscosity epoxy resin, conforming to the requirements of the Federal Specification MWM A 104, Type I. The bond agent shall be applied on the full area of the contact surfaces.

Note: The steel shall be bonded during the curing process with the proper force and method of adjusting system to be determined by the Engineer.



SIDE RETAINER

Equivalent rolled shape with stiffener will be allowed in lieu of welded plate.

Note: Fill plates are required at beam no. 2, 3 & 4. Thickness of fill plates is 3/8" beam no. 2, 1/2" beam no. 3 & 4. Additional dimensions are the same as shown for the top pedestal plate.

Note: New steel pedestals, side retainers, fill plates, lead plates, and anchor bolts are included in "F.B.E. and Erect. Structural Steel".

BILL OF MATERIAL

Item	Unit	Total
Elastomeric Bearing Assembly, Type II	Eac	7
Finishing and Erect. Structural Steel	Sq. Ft.	1670

EAST ABUTMENT
S.N. 082-0189
ELASTOMERIC BEARINGS
FAI ROUTE 64
SEC. 82-8BI-(1,2)
ST. CLAIR COUNTY

BEAM REACTIONS

Reaction 1	54.0K
Reaction 2	25.0K
Reaction 3	8.9K

DESIGNED	EXAMINED
CHECKED	PASSED
DRAWN	APPROVED
CHECKED	

I-2-E2

FOR INFORMATION ONLY