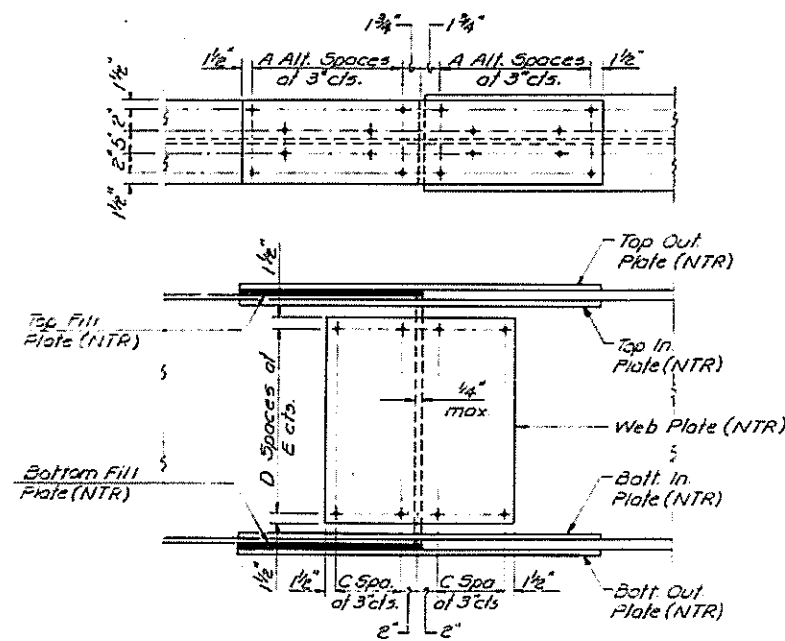


FOR INFORMATION ONLY

STATE OF ILLINOIS
DEPARTMENT OF TRANSPORTATION

DATE OF SHEET	2014-03	COUNT	83	SHEET NO.	44
PROJECT NO.	255	SECTION	82-7HB	TOTAL SHEETS	69
SHEET NO. 44		69 SHEETS			



LOOKING EAST SPLICES 3, 5, 7 & 9
LOOKING WEST SPLICES 2, 4, 6, 8 & 10

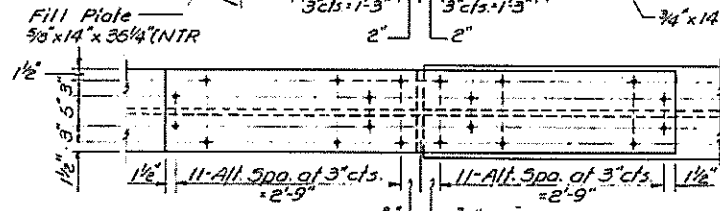
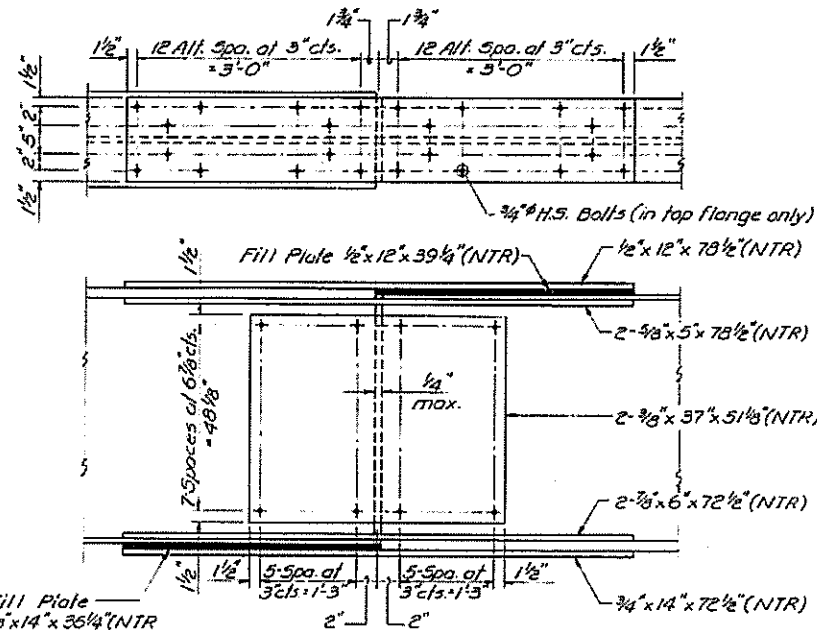
Location	A	C	D	E	Top Out P.	Top In P.	Bot. Out P.	Bot. In P.
Bm. 1 & 2 Spl. 3	0	3	9	5 3/8"	3/8" x 12" x 42 1/2"	2-1/2" x 5" x 42 1/2"	3/8" x 12" x 42 1/2"	2-1/2" x 5" x 42 1/2"
Bm. 3 & 4 Spl. 3	0	3	9	5 3/8"	3/8" x 12" x 42 1/2"	2-1/2" x 5" x 42 1/2"	3/8" x 12" x 42 1/2"	2-1/2" x 5" x 42 1/2"
Bm. 5 & 6 Spl. 3	5	2	11	4 3/8"	3/8" x 12" x 36 1/2"	2-1/2" x 5" x 36 1/2"	3/8" x 12" x 36 1/2"	2-1/2" x 5" x 36 1/2"
Bm. 1-6 Spl. 5-10	4	2	9	5 3/8"	3/8" x 12" x 30 1/2"	2-1/2" x 5" x 30 1/2"	3/8" x 12" x 30 1/2"	2-1/2" x 5" x 30 1/2"
Bm. 7 & 8 Spl. 1-4	4	2	9	5 3/8"	3/8" x 12" x 30 1/2"	2-1/2" x 5" x 30 1/2"	3/8" x 12" x 30 1/2"	2-1/2" x 5" x 30 1/2"
Bm. 9 & 10 Spl. 4	4	1	13	3 3/8"	3/8" x 12" x 30 1/2"	2-1/2" x 5" x 30 1/2"	3/8" x 12" x 30 1/2"	2-1/2" x 5" x 30 1/2"
Bm. 7-10 Spl. 5-10	4	2	9	5 3/8"	3/8" x 12" x 30 1/2"	2-1/2" x 5" x 30 1/2"	3/8" x 12" x 30 1/2"	2-1/2" x 5" x 30 1/2"

Location	Web Plate	Top Fill P.	Bot. Fill P.
Bm. 1 & 2 Spl. 3	2-3/8" x 25" x 51 1/8"	3/8" x 12" x 21 1/4"	3/8" x 12" x 21 1/4"
Bm. 3 & 4 Spl. 3	2-3/8" x 25" x 51 1/8"	3/8" x 12" x 21 1/4"	3/8" x 12" x 21 1/4"
Bm. 5 & 6 Spl. 3	2-3/8" x 19" x 51 1/8"	3/8" x 12" x 18 1/4"	3/8" x 12" x 18 1/4"
Bm. 1-6 Spl. 5-10	2-3/8" x 19" x 51 1/8"	3/8" x 12" x 15 1/4"	3/8" x 12" x 15 1/4"
Bm. 7 & 8 Spl. 1-4	2-3/8" x 19" x 51 1/8"	3/8" x 12" x 15 1/4"	3/8" x 12" x 15 1/4"
Bm. 9 & 10 Spl. 4	2-3/8" x 19" x 51 1/8"	3/8" x 12" x 15 1/4"	3/8" x 12" x 15 1/4"
Bm. 7-10 Spl. 5-10	2-3/8" x 19" x 51 1/8"	3/8" x 12" x 15 1/4"	3/8" x 12" x 15 1/4"

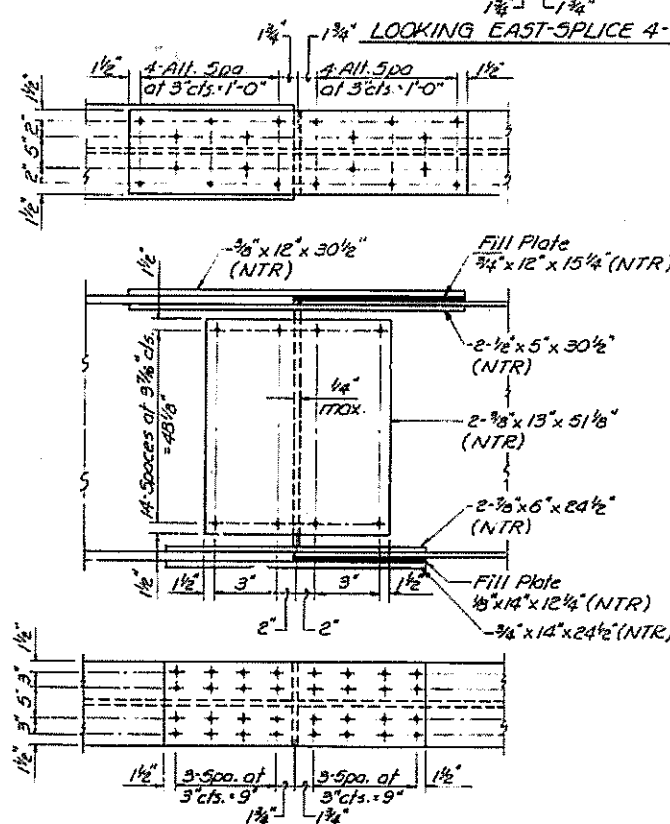
Notes:
All bolts used in splices are 7/8" φ except as noted.
Use 3/16" φ bolt holes for 3/8" φ bolts and 1/4" φ bolt holes for 1/2" φ bolts in all splice connections.
NTR denotes steel that must conform to the Supplemental Requirements for Notch Toughness (Zone 2).
All splice plates shall be M223 Grade 50.

DESIGNED	Rich Brunette
CHECKED	DAN KRULL
DRAWN	S.G. FERCHOW
CHECKED	DK

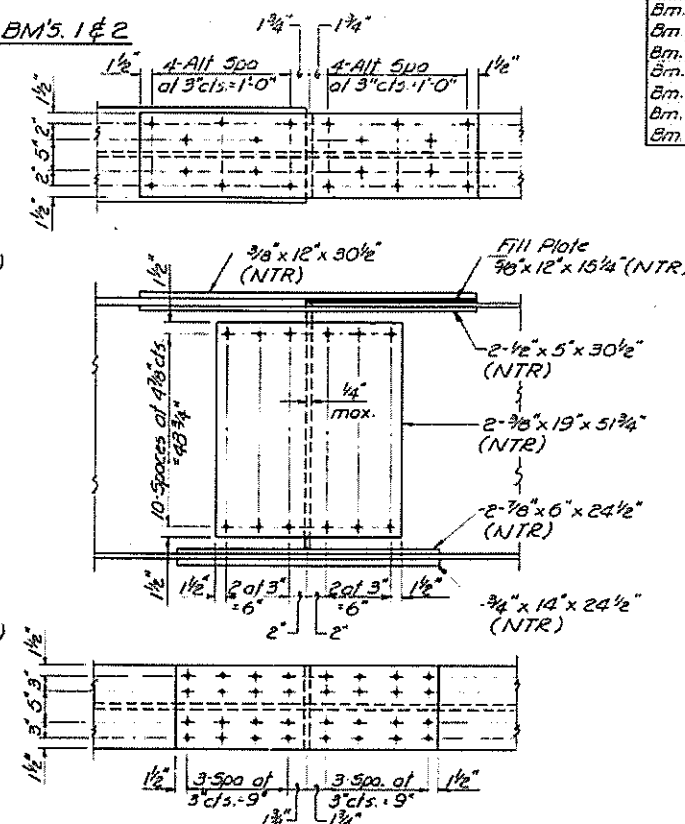
EXAMINED	MAY 7 2014
PASSED	
APPROVED	



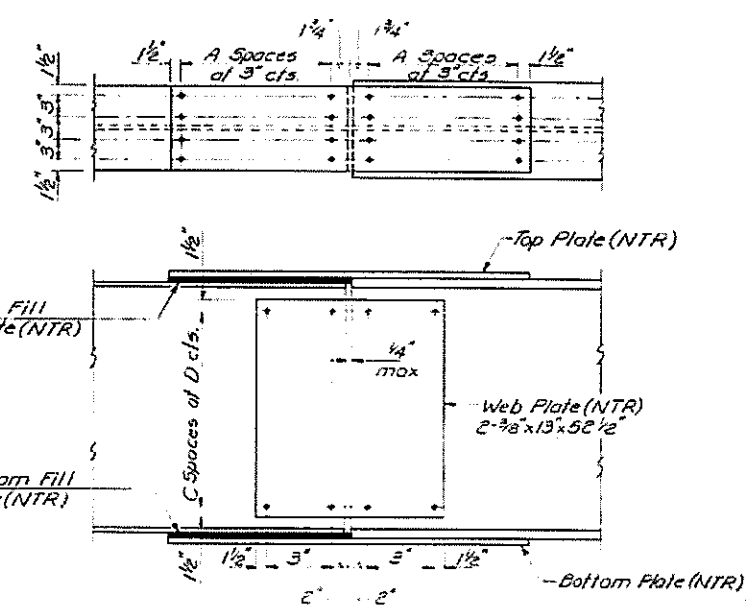
LOOKING EAST-SPLICE 4-BM'S 1 & 2



LOOKING EAST-SPLICE 4-BM'S 5 & 6



LOOKING EAST-SPLICE 4-BM'S 3 & 4



LOOKING EAST SPLICES 1 & 3
LOOKING WEST SPLICE 2

Location	A	C	D	Top Plate	Bot. Plate
Bm. 1 & 2 Spl. 3	0	11	4 1/8"	3/8" x 12" x 24 1/2"	1 1/8" x 12" x 24 1/2"
Bm. 1 & 2 Spl. 3	0	11	4 1/8"	1" x 12" x 24 1/2"	1" x 12" x 24 1/2"
Bm. 3 & 4 Spl. 3	5	11	4 1/8"	3/8" x 12" x 24 1/2"	1" x 12" x 24 1/2"
Bm. 3 & 4 Spl. 3	5	11	4 1/8"	1" x 12" x 24 1/2"	1" x 12" x 24 1/2"
Bm. 5 & 6 Spl. 3	5	11	4 1/8"	3/8" x 12" x 24 1/2"	1" x 12" x 24 1/2"
Bm. 5 & 6 Spl. 3	5	11	4 1/8"	1" x 12" x 24 1/2"	1" x 12" x 24 1/2"
Bm. 9 & 10 Spl. 4	4	11	4 1/8"	3/8" x 12" x 24 1/2"	1 1/8" x 12" x 30 1/2"
Bm. 9 & 10 Spl. 4	4	11	4 1/8"	1" x 12" x 24 1/2"	1 1/8" x 12" x 30 1/2"
Bm. 9 & 10 Spl. 5	4	12	4 1/8"	3/8" x 12" x 24 1/2"	1 1/8" x 12" x 30 1/2"

Location	Top Fill P.	Bot. Fill P.
Bm. 1 & 2 Spl. 3	3/8" x 12" x 12 1/4"	3/8" x 12" x 12 1/4"
Bm. 1 & 2 Spl. 3	3/8" x 12" x 12 1/4"	3/8" x 12" x 12 1/4"
Bm. 3 & 4 Spl. 3	3/8" x 12" x 12 1/4"	3/8" x 12" x 12 1/4"
Bm. 3 & 4 Spl. 3	3/8" x 12" x 12 1/4"	3/8" x 12" x 12 1/4"
Bm. 5 & 6 Spl. 3	3/8" x 12" x 12 1/4"	3/8" x 12" x 12 1/4"
Bm. 5 & 6 Spl. 3	3/8" x 12" x 12 1/4"	3/8" x 12" x 12 1/4"
Bm. 9 & 10 Spl. 4	3/8" x 12" x 12 1/4"	3/8" x 12" x 15 1/4"
Bm. 9 & 10 Spl. 4	3/8" x 12" x 12 1/4"	3/8" x 12" x 15 1/4"
Bm. 9 & 10 Spl. 5	3/8" x 12" x 12 1/4"	3/8" x 12" x 15 1/4"

Note: Top Plate is Bottom Plate

STRUCTURAL STEEL
F.A.I. RT. 270 SEC. 82-7HB
ST. CLAIR COUNTY
STATION 343+61.11