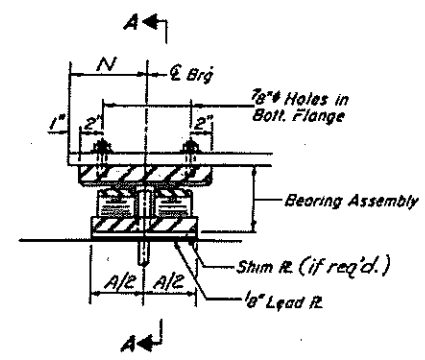
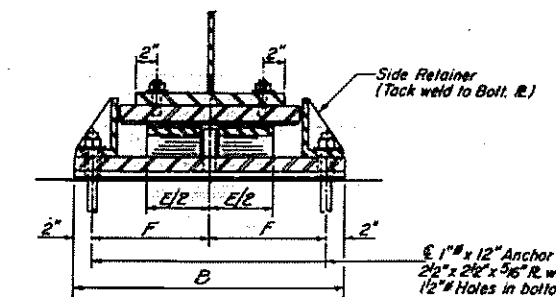


STATE OF ILLINOIS
DEPARTMENT OF TRANSPORTATION

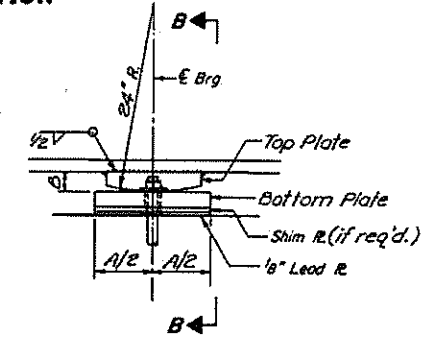
SHEET NO. 47
69 SHEETS



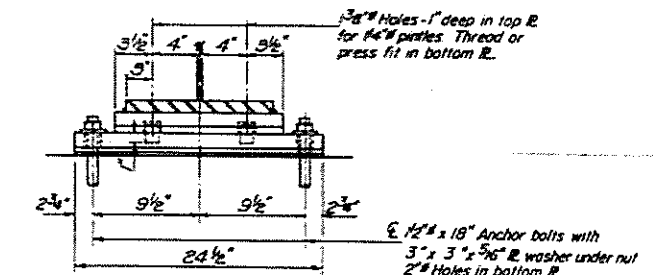
SECTION AT S. ABUT. OR PIER 3



SECTION A-A



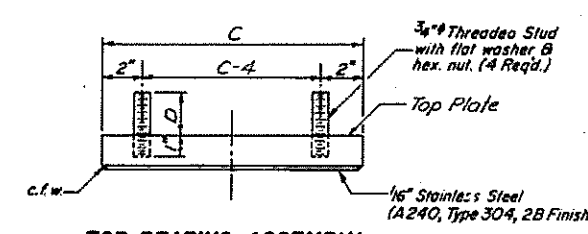
ELEVATION AT PIER 1 OR 4



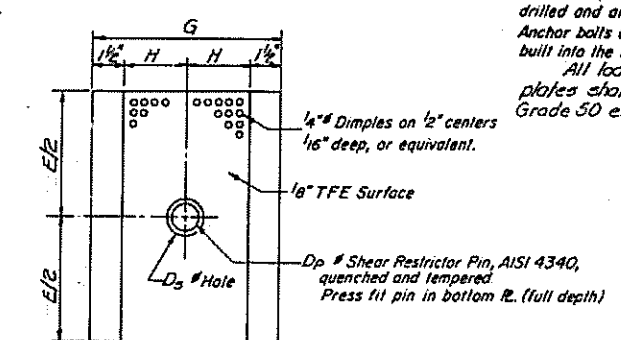
SECTION B-B

TYPE III ELASTOMERIC EXP BRG.

FIXED BEARING

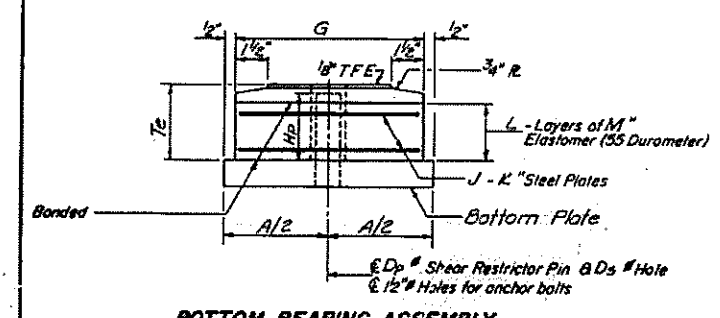


TOP BEARING ASSEMBLY

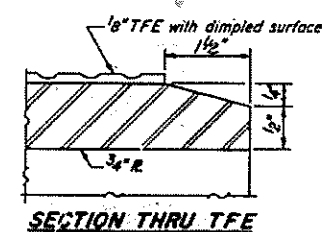


PLAN-TFE ELASTOMERIC BRG.

Notes: After girders have been erected holes at expansion bearings shall be drilled and anchor bolts grouted in place. Anchor bolts at fixed bearings may be built into the masonry. All load carrying bearing plates shall be AASHTO M223 Grade 50 except as noted.

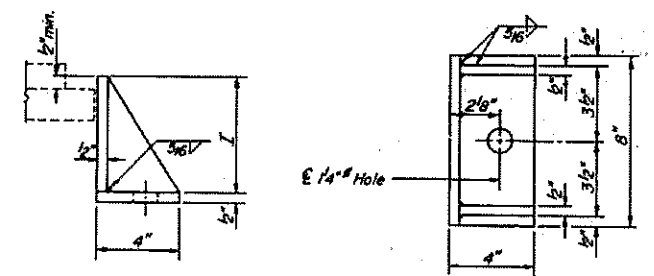


BOTTOM BEARING ASSEMBLY

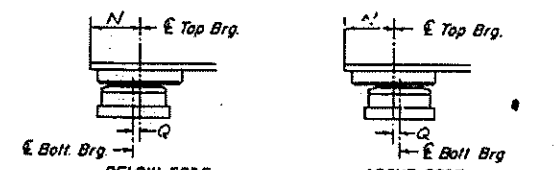


SECTION THRU TFE

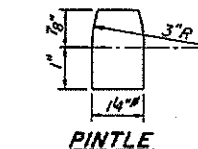
Note: The 1/8 inch TFE sheet shall be bonded directly to the top steel plate with a two-component, medium viscosity epoxy resin, conforming to the requirements of the Federal Specification MMM-A-134, Type 1. The bond agent shall be applied on the full area of the contact surfaces. Bonding of 1/8 inch TFE sheet during vulcanizing process will be permitted provided the process and method of adjusting assembly height is approved by the Engineer.



SIDE RETAINER (TYPE III)



SETTING ANCHOR BOLTS AT EXP BRG.
Q = 1/8 inch per each 100 degrees of expansion for every 15 degrees temp change from the normal temp of 50 degrees F.
(TYPE III) (Looking West)



PINTLE

TABLE OF DIMENSIONS FOR FIXED BEARINGS

Type	Location	A	B	Top Plate	Bot. Plate
F(a)	Pier 1 Brms 1-6	13"	1 1/2"	1 1/2" x 9" x 15"	2 1/4" x 13" x 24 1/2"
F(b)	Piers 1&4 Brms 7-10	14"	1 1/2"	1 1/2" x 9" x 15"	2 3/8" x 14" x 24 1/2"
F(c)	Pier 4 Brms 1-6	14"	1 1/2"	1 1/4" x 9" x 15"	2 3/8" x 14" x 24 1/2"

TABLE OF DIMENSIONS FOR TYPE III BEARINGS

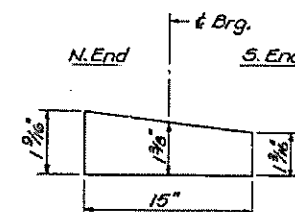
Type	Location	Top Plate	Bot. Plate	A	B	C	D	E	F	G	H	I	J
III a	P-3, Sp-3, Brm. 1&2	1 7/8" x 15" x 20"	2" x 13" x 20 1/2"	13"	2 1/2"	15"	2 7/8"	15"	12 1/2"	12"	4 1/2"	6 3/8"	4"
III b	P-3, Sp-3, Brm. 3-6	1 3/4" x 14" x 18"	1 1/2" x 12" x 20 1/2"	12"	2 1/2"	14"	2 7/8"	16"	11 1/4"	11"	4"	5"	3"
III c	S. Abut. Brm. 1-10	1 7/8" x 15" x 16"	1 1/2" x 11" x 24 1/2"	11"	2 1/2"	15"	1 7/8"	14"	10 1/4"	10"	3 1/2"	5"	4"

TYPE III BEARINGS (CONT'D)

Type	K	L	M	N	Tc	Ds	Dp	Hp
III a	3/16"	5"	3/16"	8 1/2"	4 3/8"	2"	1 1/2"	4"
III b	1/8"	4"	1/2"	8"	3 1/4"	2"	1 1/2"	2 3/4"
III c	1/8"	5"	7/16"	8 1/2"	3 3/8"	1 3/4"	1 1/4"	3"

BILL OF MATERIAL

Item	Unit	Quantity
Elastomeric Brg. Assembly, Type III	Each	16



* TAPERED TOP R DETAIL

DESIGNED Rick Brunette
CHECKED DAU KRULL
DRAWN S.G. FERCHOW
CHECKED DK

EXAMINED
PASSED
APPROVED

I-2-E3 4-1-79

BEARING DETAILS
F.A.I. RT. 270 SEC. 82-THB
ST. CLAIR COUNTY
STATION 343+61.11

FOR INFORMATION ONLY