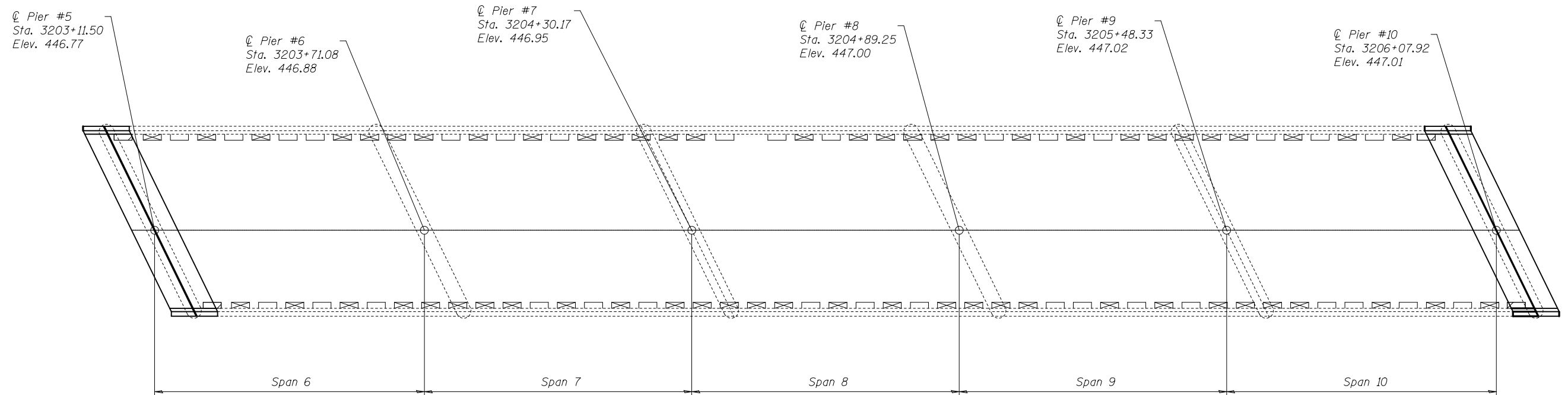
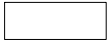

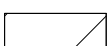


SPANS 1-5



SPANS 6-10

- Floor Drain Extension  (54 Req'd)
- Plug Existing Drains  (100 Req'd)
- Existing Floor Drains to be removed (Cost included with Concrete Removal)  (6 Req'd)

DESIGNED - A.Y.V.	EXAMINED _____	DATE - _____
CHECKED - _____	ENGINEER OF STRUCTURAL SERVICES	
DRAWN - A.Y.V.	PASSED _____	REVISED _____
CHECKED - _____	ENGINEER OF BRIDGES AND STRUCTURES	REVISED _____

**STATE OF ILLINOIS
DEPARTMENT OF TRANSPORTATION**

**DRAIN EXTENSIONS & PLUGGING LOCATIONS (SPANS 1-10)
SN 014-0058**

SHEET NO. 14 OF 22 SHEETS

F.A.P. RTE.	SECTION	COUNTY	TOTAL SHEETS	SHEET NO.
327	14-14B-I	CLINTON	27	19
CONTRACT NO. 76G91				

ILLINOIS FED. AID PROJECT