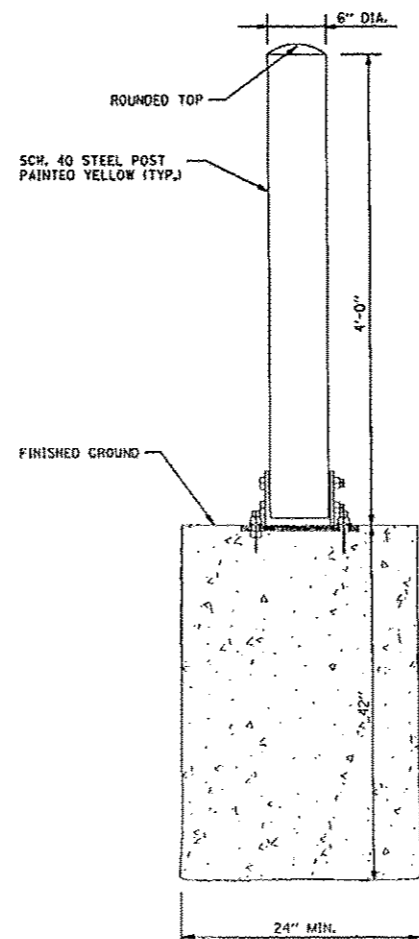
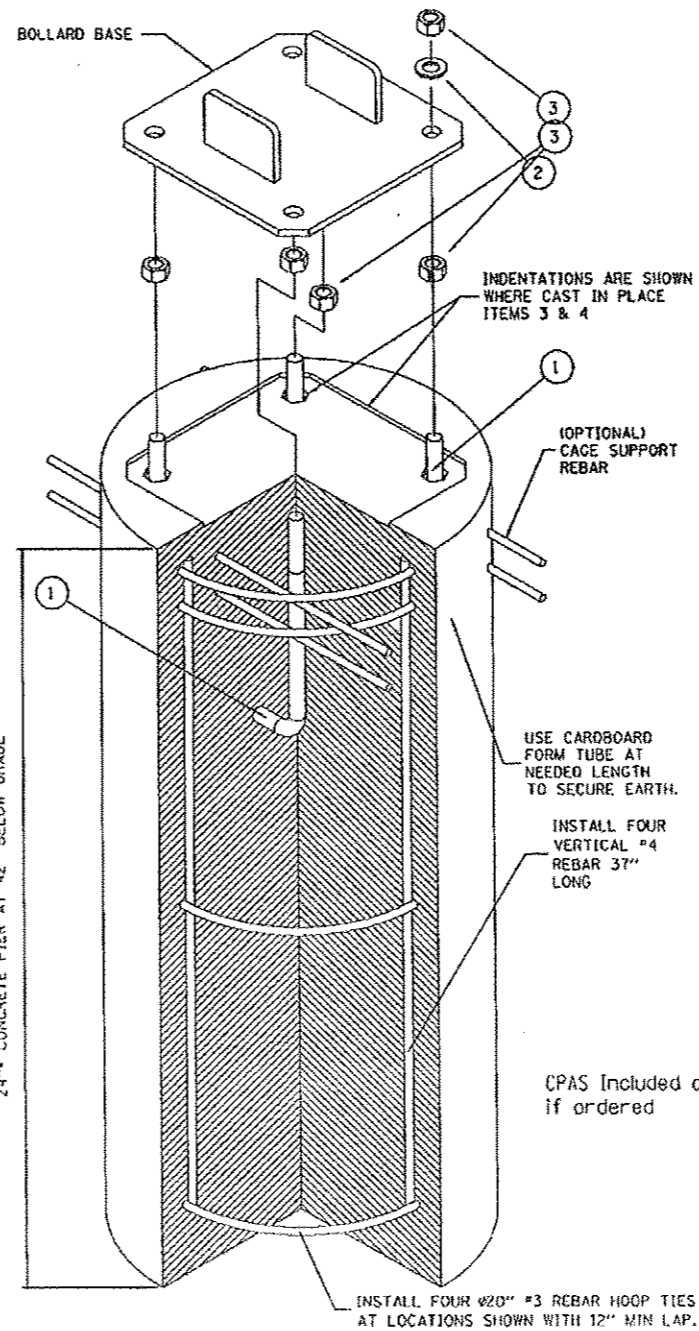


6" DIAMETER BOLLARD DETAIL



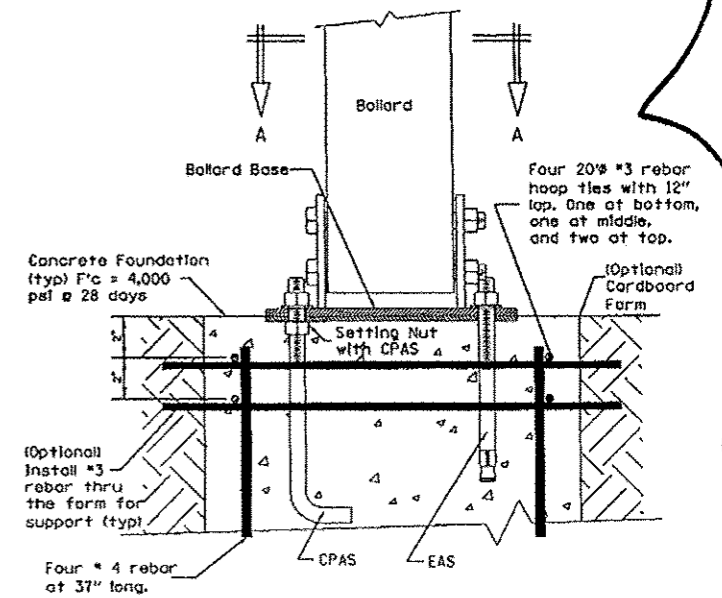
FOLD DOWN BOLLARD DETAIL



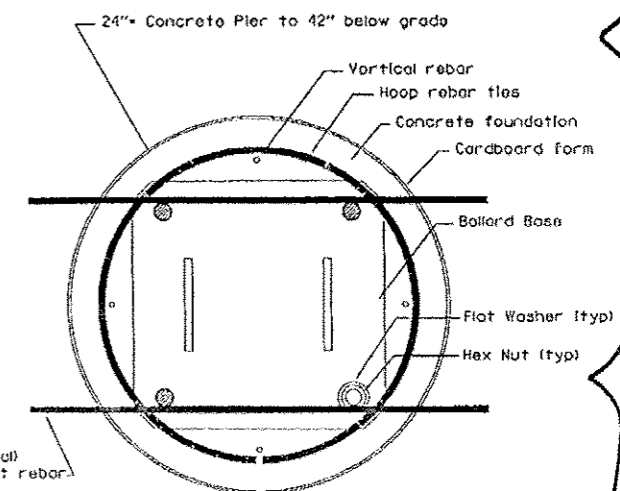
CONCRETE PIER ANCHOR SYSTEM (CPAS)

BILL OF MATERIAL		
ITEM PART #	DESCRIPTION	QTY.
9001	CPAS KIT - INCLUDES THE FOLLOWING PART NUMBERS	
1	0002 #3/4" x 12" TYPE L ANCHOR BOLT-H.D.G.	4
2	0007 #3/4" TYPE A FLAT NARROW WASHER GALVANIZED STEEL	4
3	0006 #3/4" HEX NUT GALVANIZED STEEL	8

NOTE: CONCRETE, FORM AND REBAR PROVIDED BY OTHERS



Front Elevation Section



Plan Section "A-A"

FILE NAME =	USER NAME = #US204	DESIGNED - KH	REVISED -
ca:\pwwork\puedot\Novander-ba\06363018\078221\site\details\dd-08.dgn		DRAWN - AS	REVISED -
	PLOT SCALE = 2.0000 "/td> <td>CHECKED -</td> <td>REVISED -</td>	CHECKED -	REVISED -
	PLOT DATE = 2/10/2014	DATE -	REVISED -

STATE OF ILLINOIS  
DEPARTMENT OF TRANSPORTATION

BOLLARD DETAIL

SCALE: SHEET NO. 8 OF 8 SHEETS STA. TO STA.

F.A.P. RTE.	SECTION	COUNTY	TOTAL SHEETS	SHEET NO.
331 (I-31R-2, N-4, IS-4, HEK-1)		WILLIAMSON	733	400
DRAWING NO. DD-08		CONTRACT NO. 78221		
ILLINOIS REG. #10 PROJECT				

2 Rev. 4-21-14