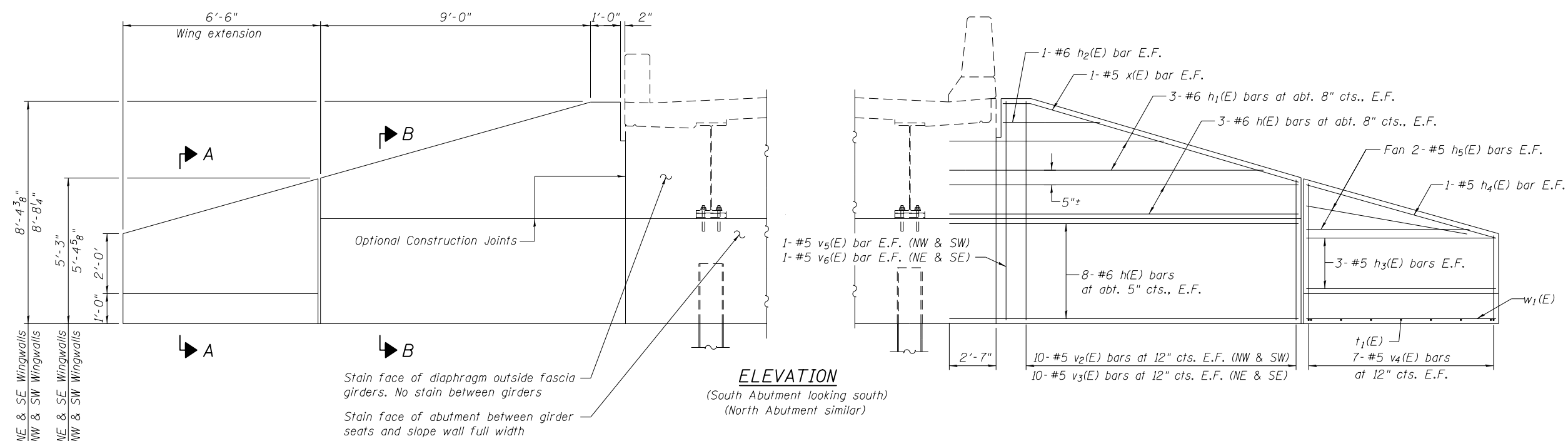


BILL OF MATERIAL (N. ABUT.)

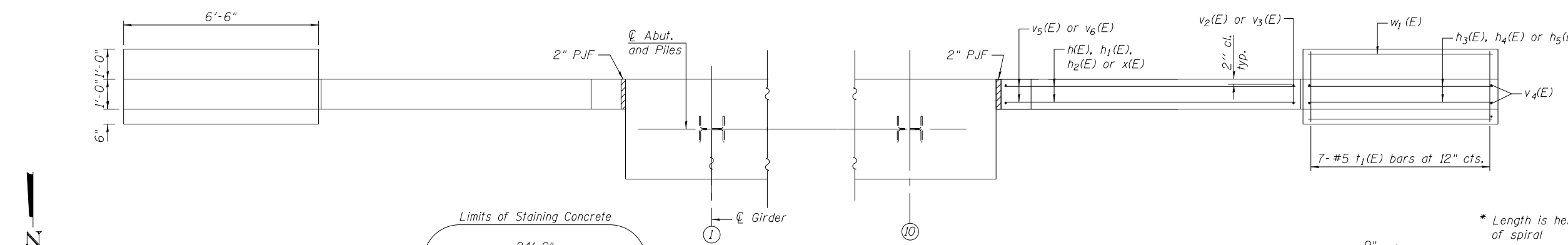
Bar	No.	Size	Length	Shape
h(E)	44	#6	12'-7"	
h ₁ (E)	6	#6	19'-6"	
h ₂ (E)	4	#6	2'-4"	
h ₃ (E)	12	#5	6'-2"	
h ₄ (E)	4	#5	6'-6"	
h ₅ (E)	4	#5	6'-0"	
p(E)	28	#7	44'-8"	
p ₁ (E)	10	#4	27'-0"	
p ₂ (E)	5	#4	17'-0"	
s ₂ (E)	78	#5	13'-3"	
s ₃ (E)	20	#5	4'-0"	
s ₄ (E)	96	#4	7'-0"	
sp(E)	10	#4	2'-0"	
t ₁ (E)	14	#5	2'-2"	
u(E)	8	#6	10'-7"	
v ₁ (E)	171	#8	6'-4"	
v ₂ (E)	20	#5	13'-2"	
v ₃ (E)	20	#5	12'-9"	
v ₄ (E)	14	#5	9'-5"	
v ₅ (E)	2	#5	8'-3"	
v ₆ (E)	2	#5	7'-11"	
w ₁ (E)	8	#5	6'-2"	
x(E)	4	#5	10'-9"	
Granular Backfill for Structures		Cu. Yd.	167.5	
Structure Excavation		Cu. Yd.	167.5	
Concrete Structures		Cu. Yd.	49.2	
Reinforcement Bars, Epoxy Coated		Pound	9870	
Furnishing Steel Piles HP 14x89		Foot	504	
Driving Piles		Foot	504	
Test Pile Steel HP 14x89		Each	1	
Geocomposite Wall Drain		Sq. Yd.	93.5	
Protective Coat		Sq. Yd.	16.6	
Pipe Underdrains for Structures 4"		Foot	117	

BILL OF MATERIAL (S. ABUT.)

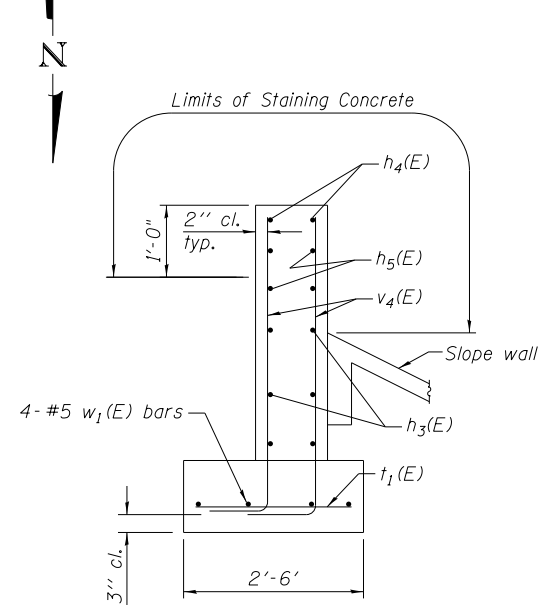
Bar	No.	Size	Length	Shape
h(E)	44	#6	12'-7"	
h ₁ (E)	6	#6	19'-6"	
h ₂ (E)	4	#6	2'-4"	
h ₃ (E)	12	#5	6'-2"	
h ₄ (E)	4	#5	6'-6"	
h ₅ (E)	4	#5	6'-0"	
p(E)	28	#7	44'-8"	
p ₁ (E)	10	#4	27'-0"	
p ₂ (E)	5	#4	17'-0"	
s ₂ (E)	78	#5	13'-3"	
s ₃ (E)	20	#5	4'-0"	
s ₄ (E)	96	#4	7'-0"	
sp(E)	10	#4	2'-0"	
t ₁ (E)	14	#5	2'-2"	
u(E)	8	#6	10'-7"	
v ₁ (E)	171	#8	6'-4"	
v ₂ (E)	20	#5	13'-2"	
v ₃ (E)	20	#5	12'-9"	
v ₄ (E)	14	#5	9'-5"	
v ₅ (E)	2	#5	8'-3"	
v ₆ (E)	2	#5	7'-11"	
w ₁ (E)	8	#5	6'-2"	
x(E)	4	#5	10'-9"	
Granular Backfill for Structures		Cu. Yd.	167.5	
Structure Excavation		Cu. Yd.	167.5	
Concrete Structures		Cu. Yd.	49.2	
Reinforcement Bars, Epoxy Coated		Pound	9870	
Furnishing Steel Piles HP 14x89		Foot	560	
Driving Piles		Foot	560	
Geocomposite Wall Drain		Sq. Yd.	93.5	
Protective Coat		Sq. Yd.	16.6	
Pipe Underdrains for Structures 4"		Foot	117	



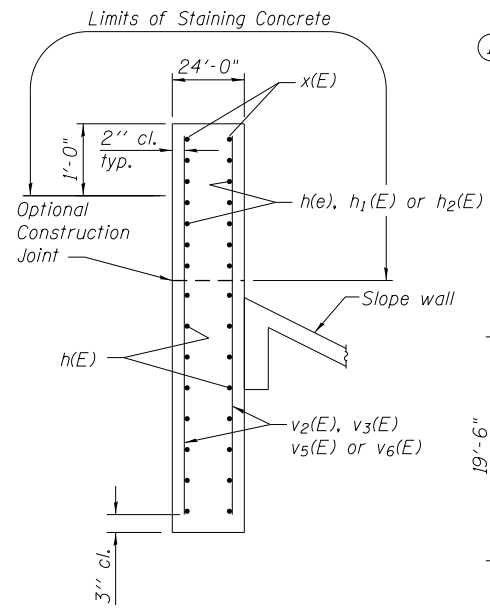
ELEVATION
(South Abutment looking south)
(North Abutment similar)



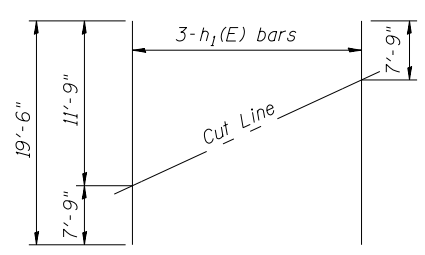
PLAN
(South Abutment)



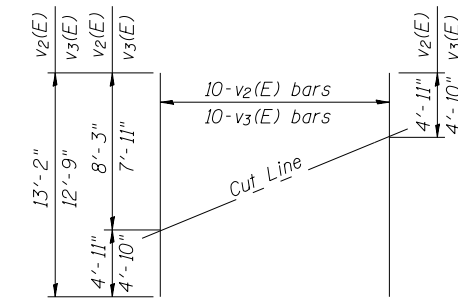
SECTION A-A



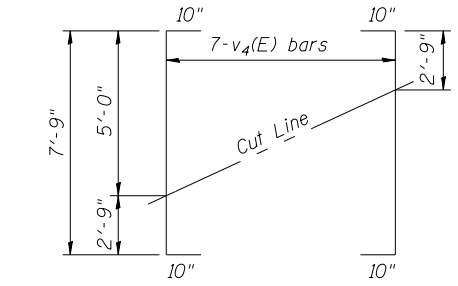
SECTION B-B



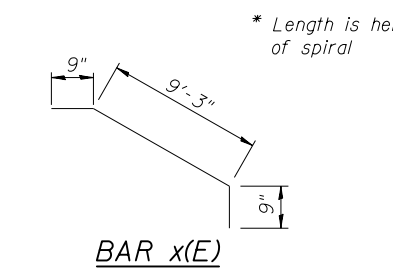
BAR h₁(E)
Order h₁(E) bars full length. Cut as shown and use remainder of bars in opposite face.



BARS v₂(E) and v₃(E)
Order v₂(E) and v₃(E) bars full length. Cut as shown and use remainder of bars in opposite face.



BAR v₄(E)
Order v₄(E) bars full length. Cut as shown and use remainder of bars in opposite face.



BAR x(E)