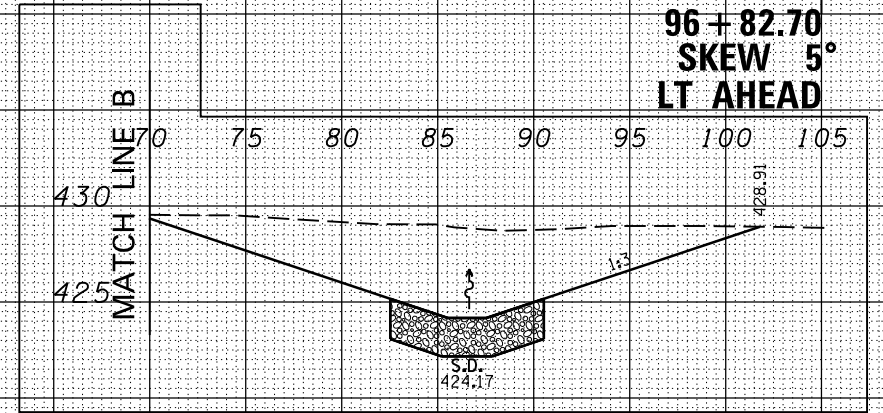
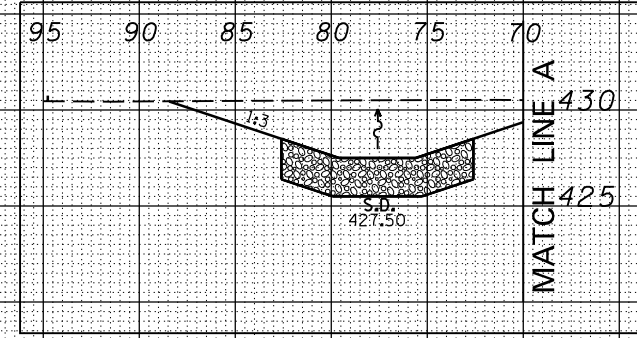
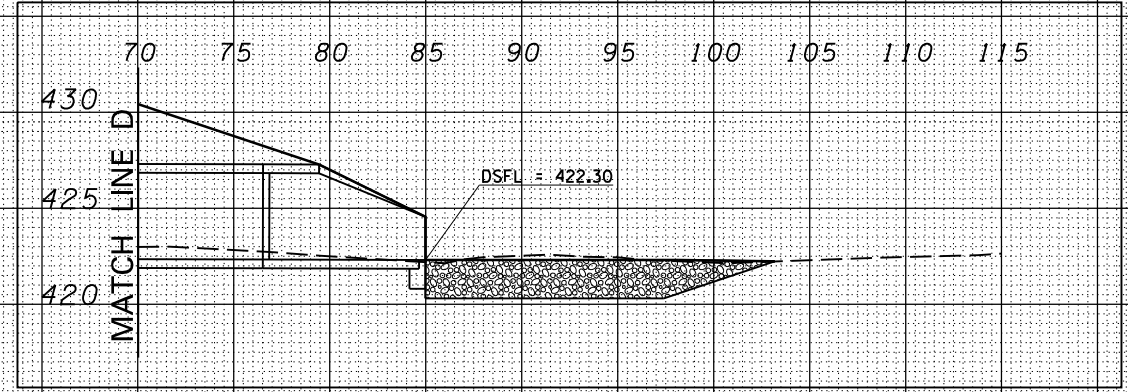
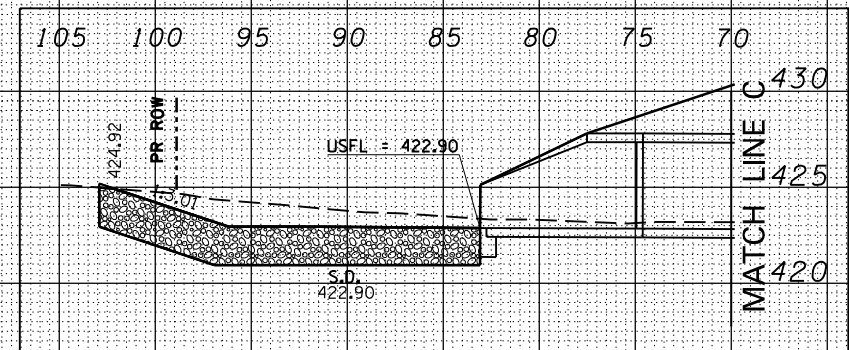
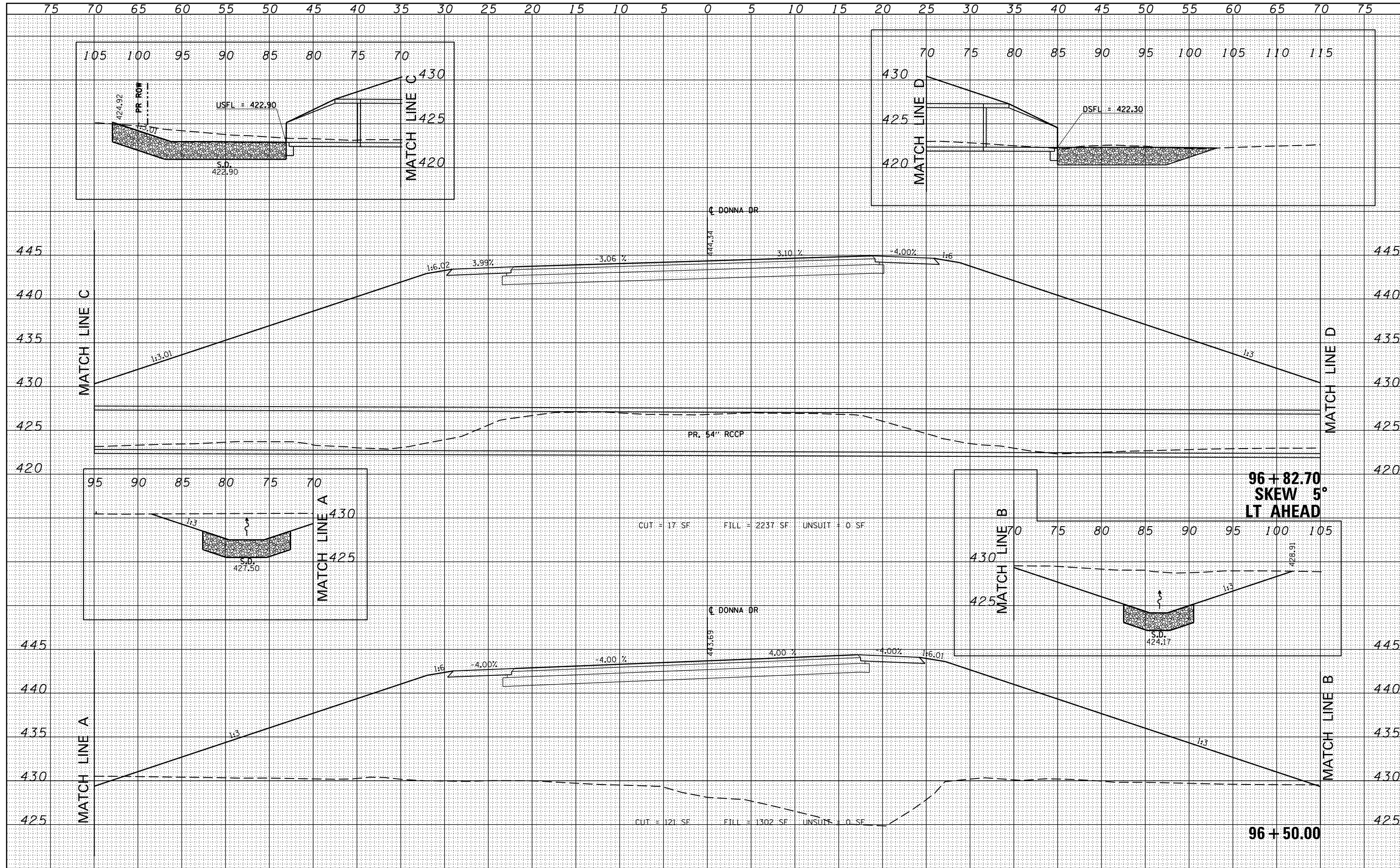


DATE	
BY	
FINAL SURVEY	
SURVEYED	
PLOTTED	
TEMPLATE	
NOTE BOOK	
AREAS	
CHECKED	
NO.	

DATE	
BY	
ORIGINAL SURVEY	
SURVEYED	
PLOTTED	
TEMPLATE	
NOTE BOOK	
AREAS	
CHECKED	
NO.	



FILE NAME =	USER NAME = susers	DESIGNED - KN	REVISSED -	<b>STATE OF ILLINOIS</b> <b>DEPARTMENT OF TRANSPORTATION</b>	<b>PROPOSED CROSS SECTIONS</b> <b>DONNA DRIVE / CLARK STREET</b>	F.A.P. RTE.	SECTION	COUNTY	TOTAL SHEETS	SHEET NO.
es:\pw_work\p1dot\lavenderba\d0363618\0978221-ht-xssht-Donna.dgn		DRAWN - AS	REVISSED -			331	(1-3)R-2, N-4, TS-4, HBK-1	WILLIAMSON	733	633
PLOT SCALE = 10.0000' / in.		CHECKED -	REVISSED -			DRAWING NO.	XS-233			78221
PLOT DATE = 1/31/2014		DATE -	REVISSED -			ILLINOIS FED. AID PROJECT				
				SCALE:	SHEET NO. 9 OF 43 SHEETS	STA. 96+50.00	TO STA. 96+82.70			