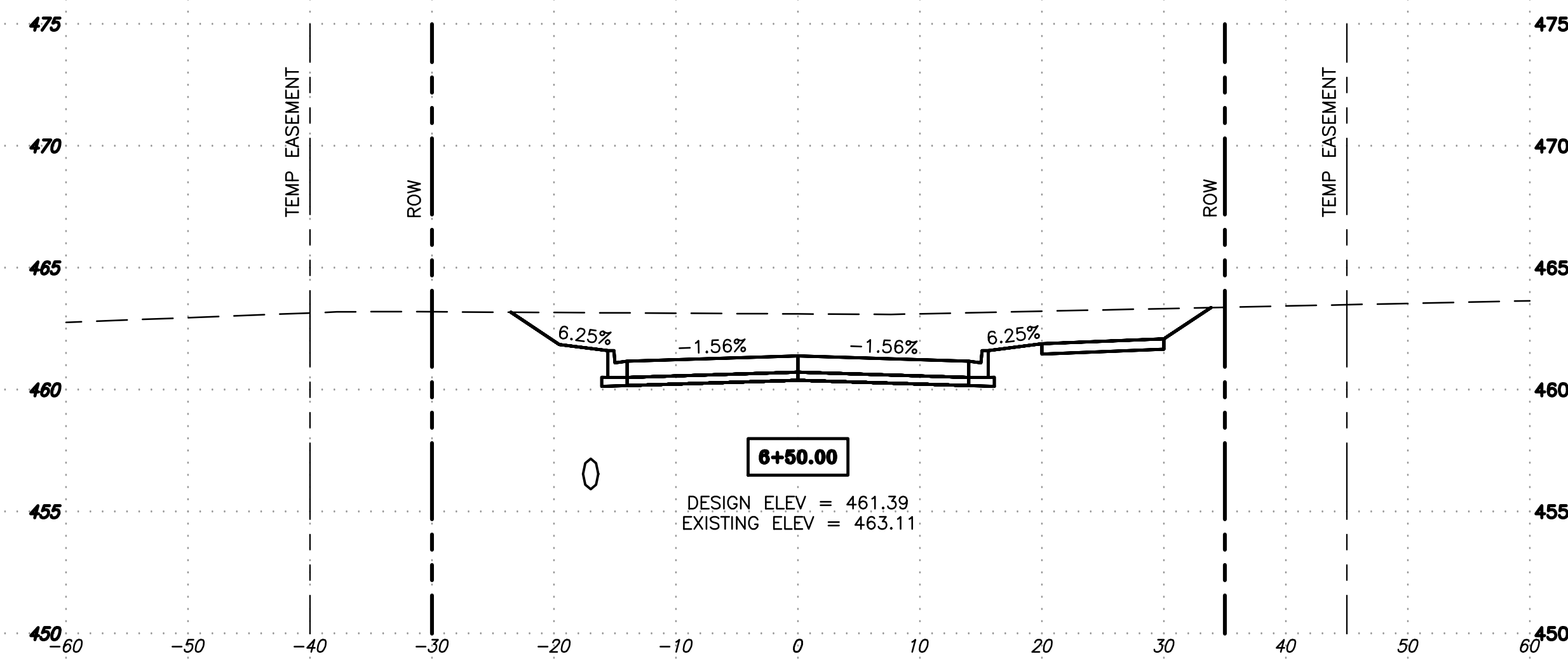
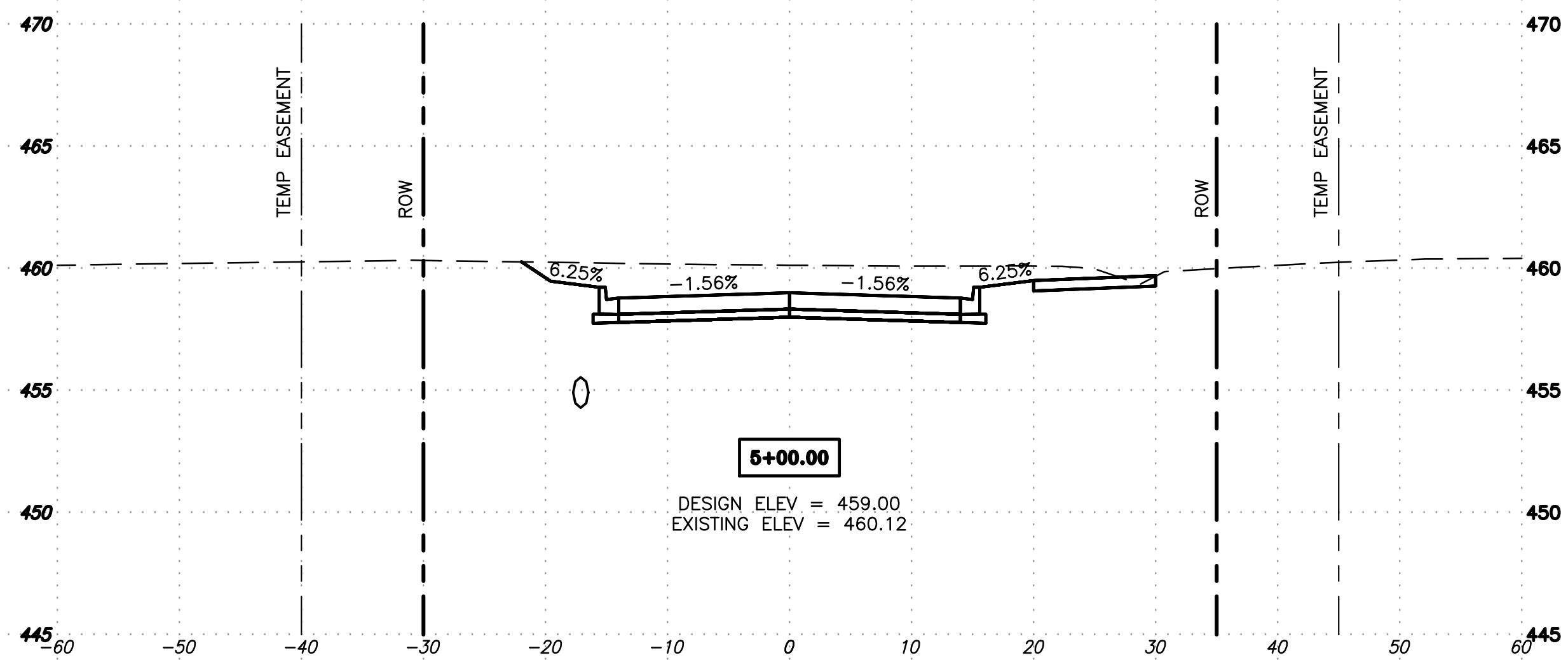
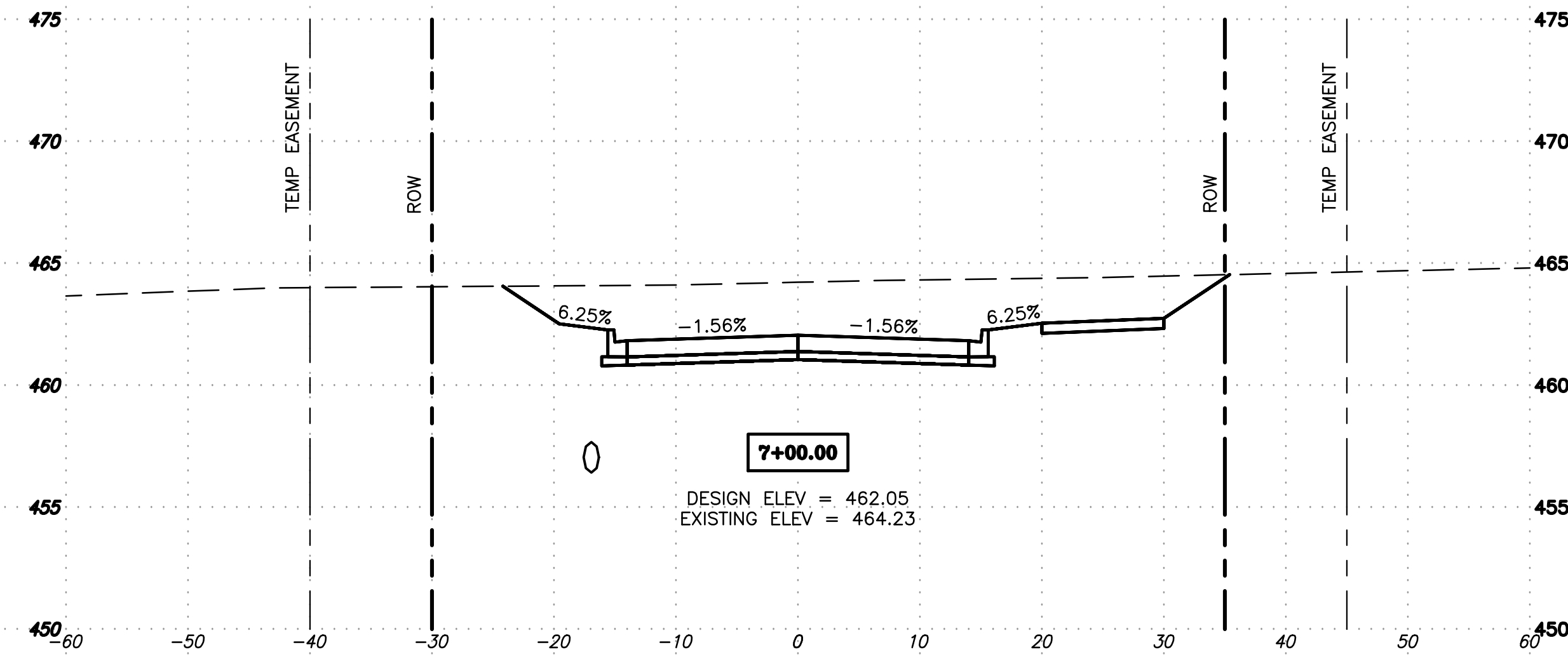
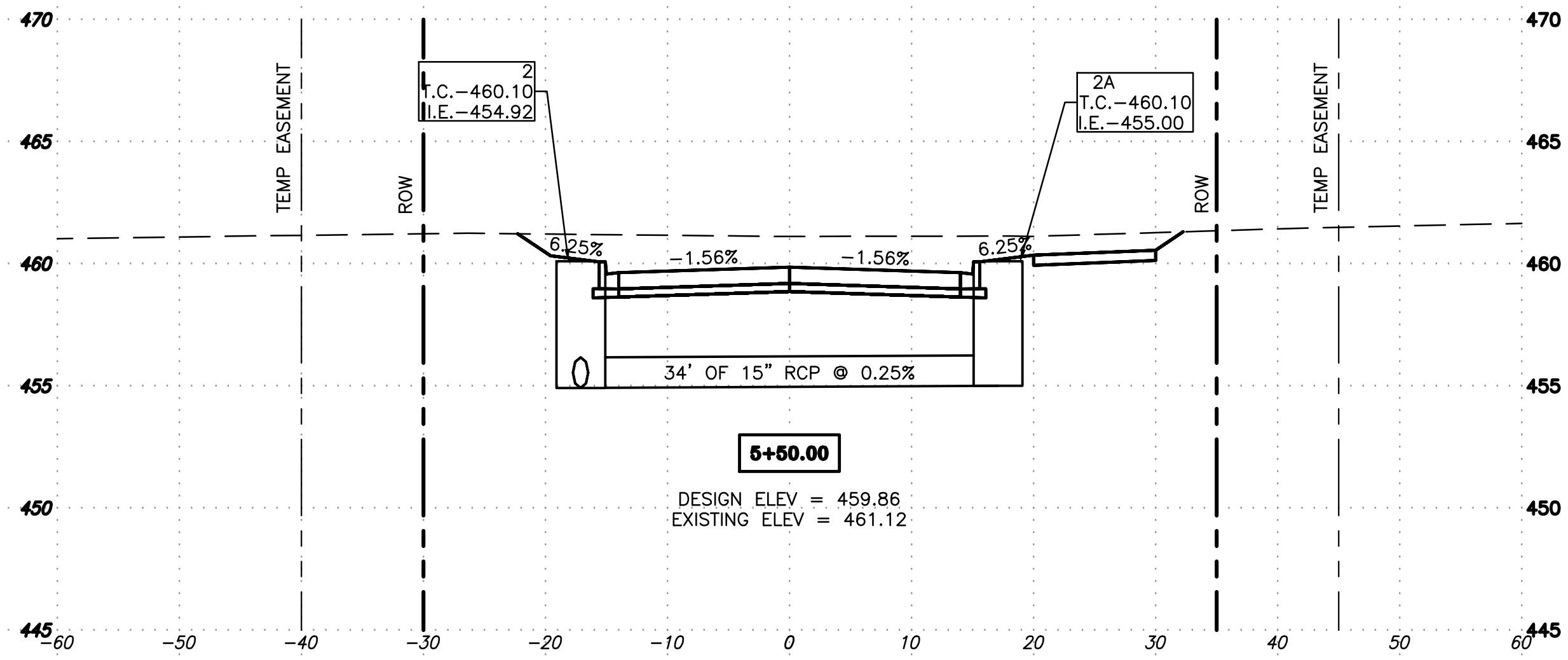
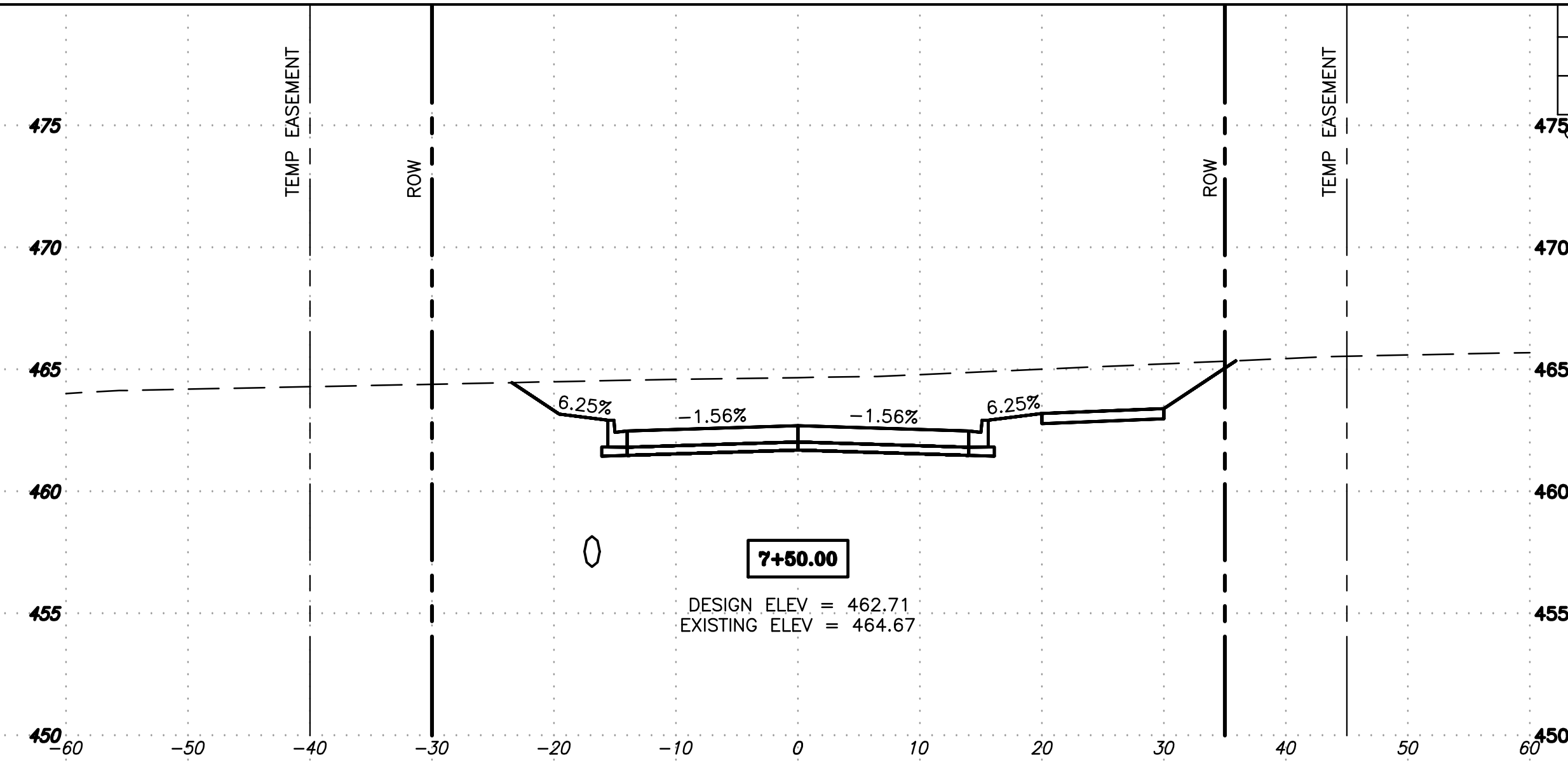
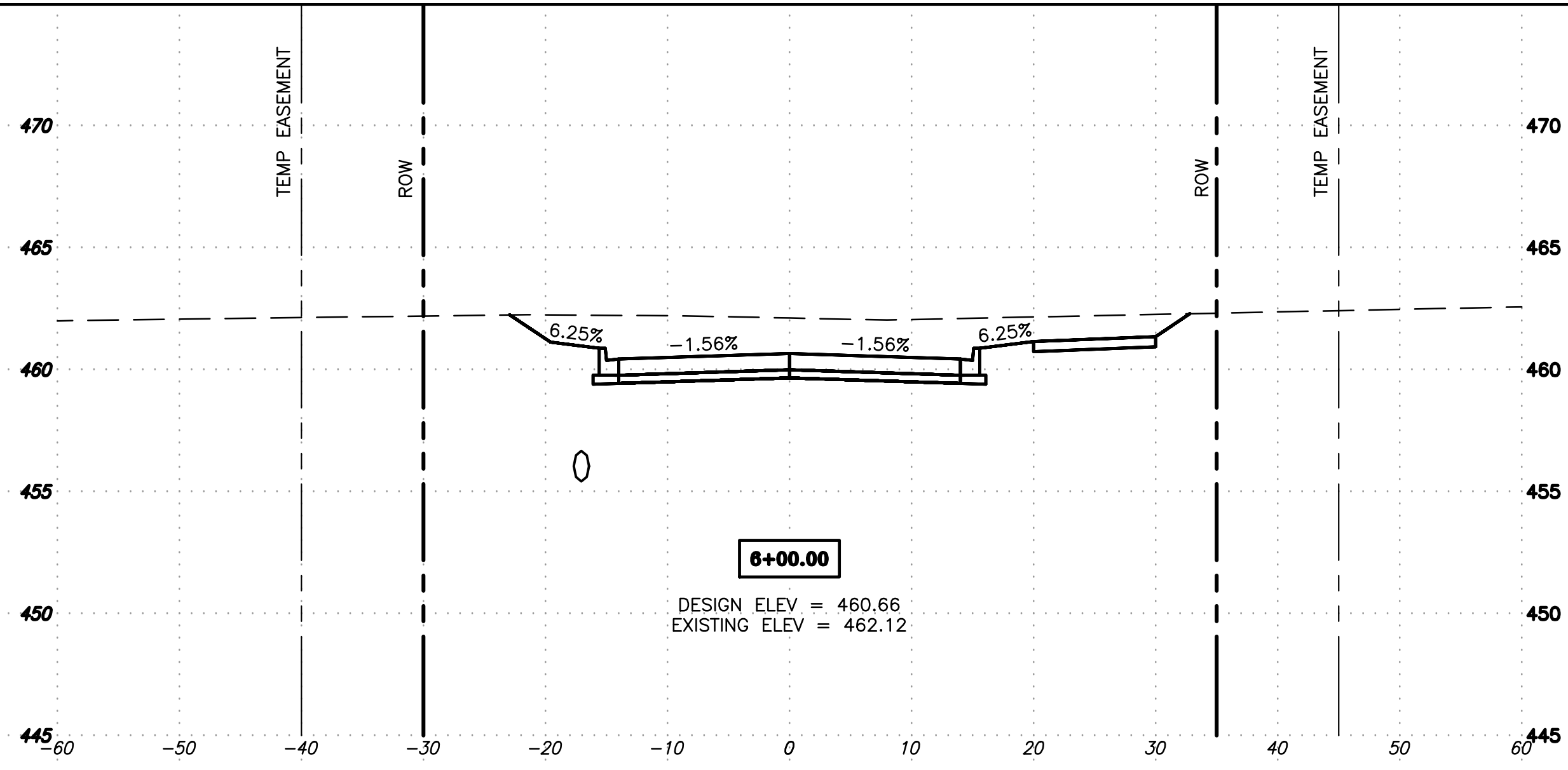


| ROUTE NO. | SECTION | CITY | TOTAL SHEETS | SHEET NO. |
|--------------------|--------------------|-----------------------|--------------|-----------|
| F.A.U. 9719 | 06-00054 -00-FP | HERRIN | 733 | 722 |
| ILLINOIS | | RUSHING DR. CONNECTOR | | |
| CONTRACT NO. 99468 | | | | |



RITTER ROAD - CROSS-SECTIONS - STA 5+00 TO 7+50